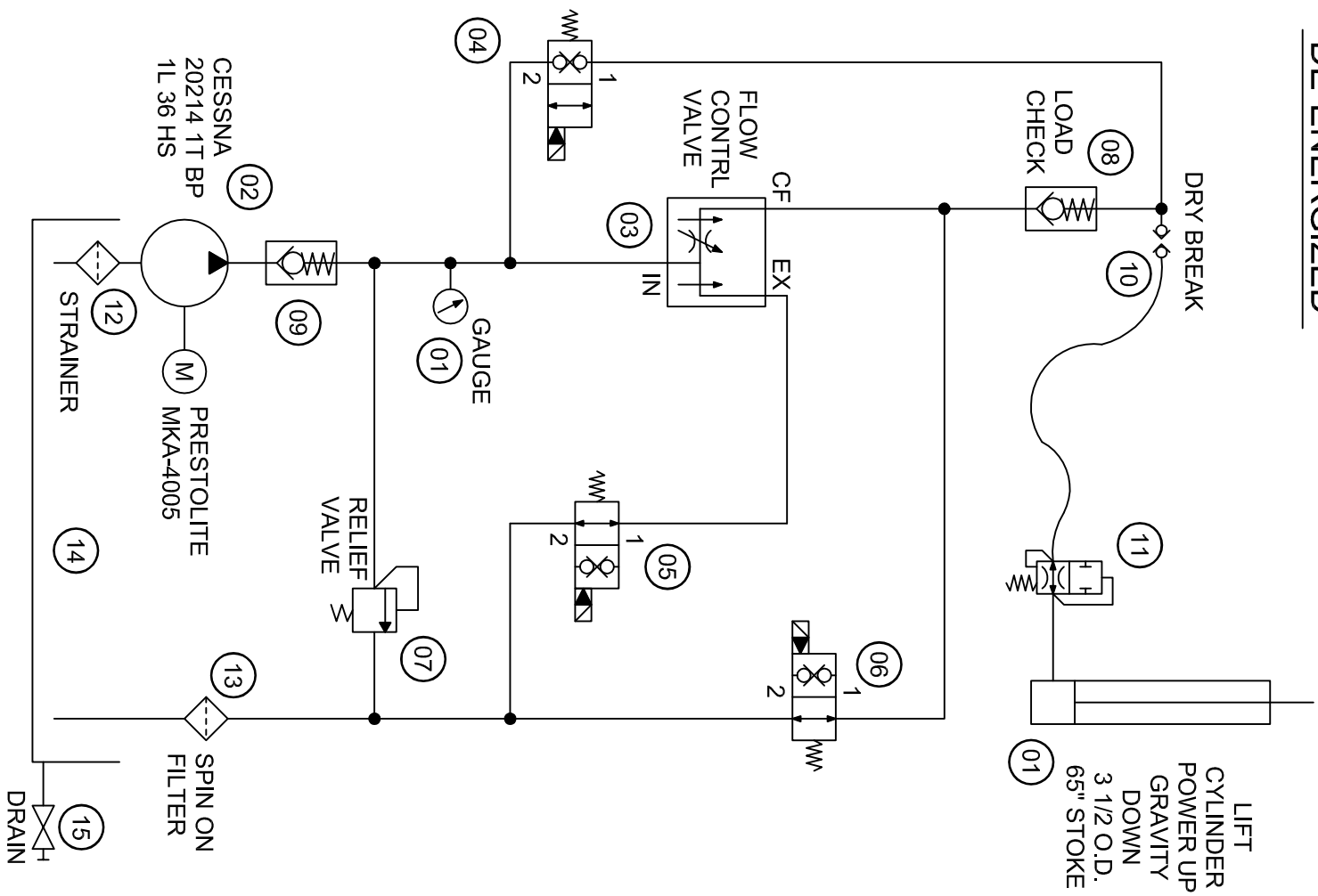
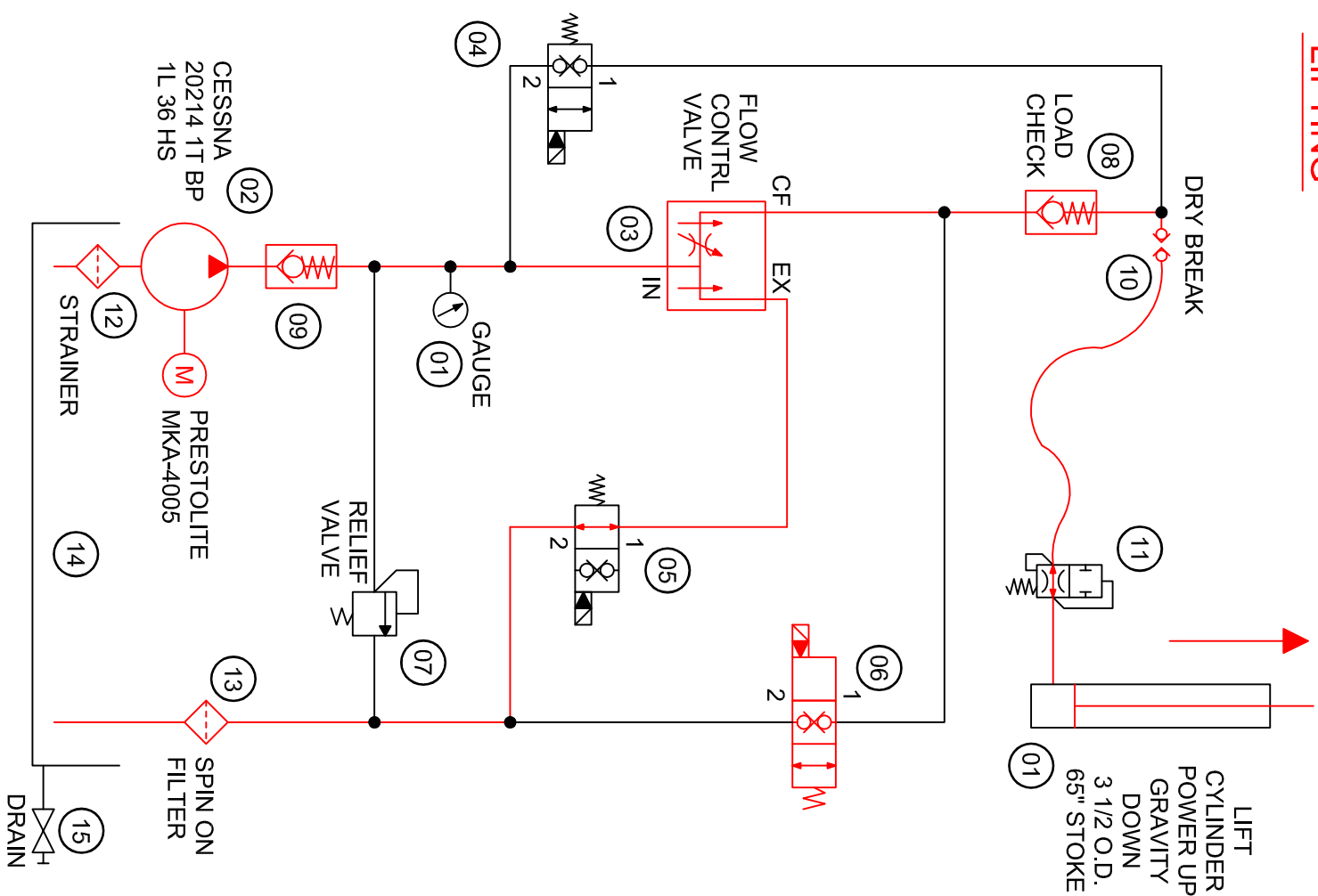


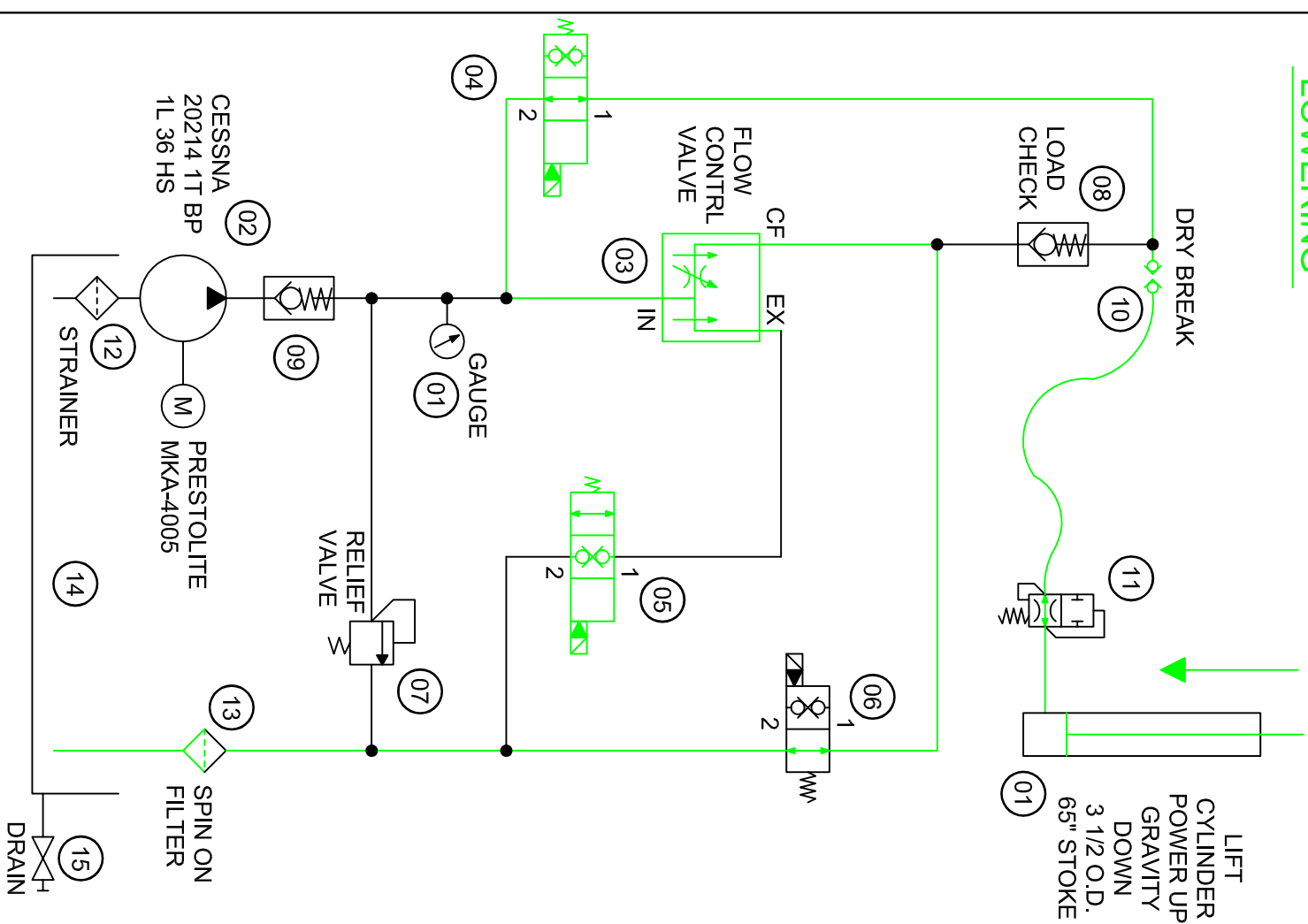
## DE-ENERGIZED



## LIFTING



## LOWERING



MAST, CYLINDER AND PUMP ARE FROM RAYMOND  
20R30TN FORKLIFT SER. NO. 020-82-1354

MAST, CYLINDER AND PUMP ARE FROM RAYMOND  
20R30TN FORKLIFT SER. NO. 020-82-1354

MAST, CYLINDER AND PUMP ARE FROM RAYMOND  
20R30TN FORKLIFT SER. NO. 020-82-1354

CESSNA  
20214 1T BP  
1L 36 HS

CESSNA  
20214 1T BP  
1L 36 HS

CESSNA  
20214 1T BP  
1L 36 HS

PRESTOLITE  
MKA-4005

PRESTOLITE  
MKA-4005

PRESTOLITE  
MKA-4005

SPIN ON  
FILTER

SPIN ON  
FILTER

SPIN ON  
FILTER

STRAINER

STRAINER

STRAINER

DRAIN

DRAIN

DRAIN

DRY BREAK

DRY BREAK

DRY BREAK

LIFT  
CYLINDER  
POWER UP  
GRAVITY  
DOWN  
3 1/2 O.D.  
65" STROKE

LIFT  
CYLINDER  
POWER UP  
GRAVITY  
DOWN  
3 1/2 O.D.  
65" STROKE

LIFT  
CYLINDER  
POWER UP  
GRAVITY  
DOWN  
3 1/2 O.D.  
65" STROKE

FLOW  
CONTROL  
VALVE

FLOW  
CONTROL  
VALVE

FLOW  
CONTROL  
VALVE

GAUGE

GAUGE

GAUGE

RELIEF  
VALVE

RELIEF  
VALVE

RELIEF  
VALVE

STRAINER

STRAINER

STRAINER

DRAIN

DRAIN

DRAIN