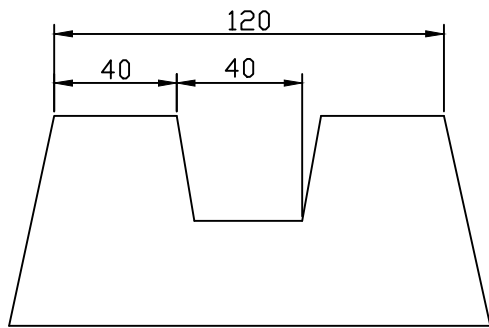
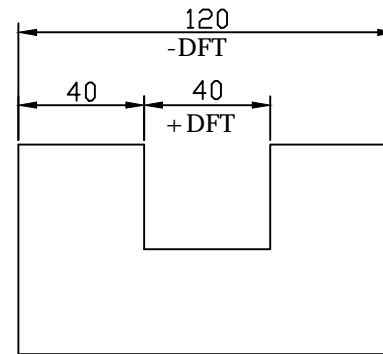
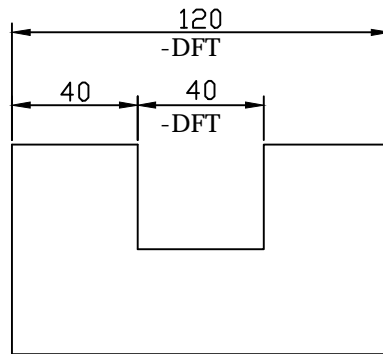
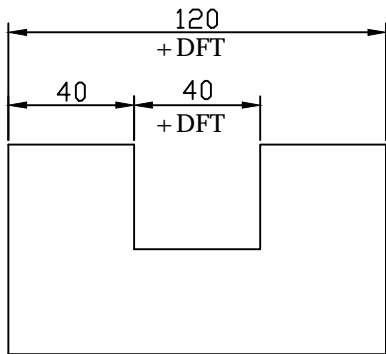
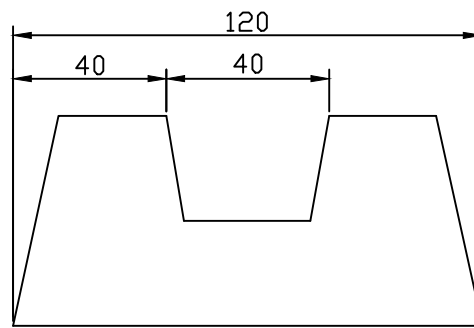


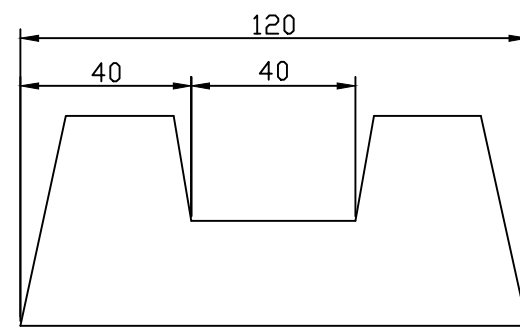
This on the drawing



(A)



(B)



(C)

Means this