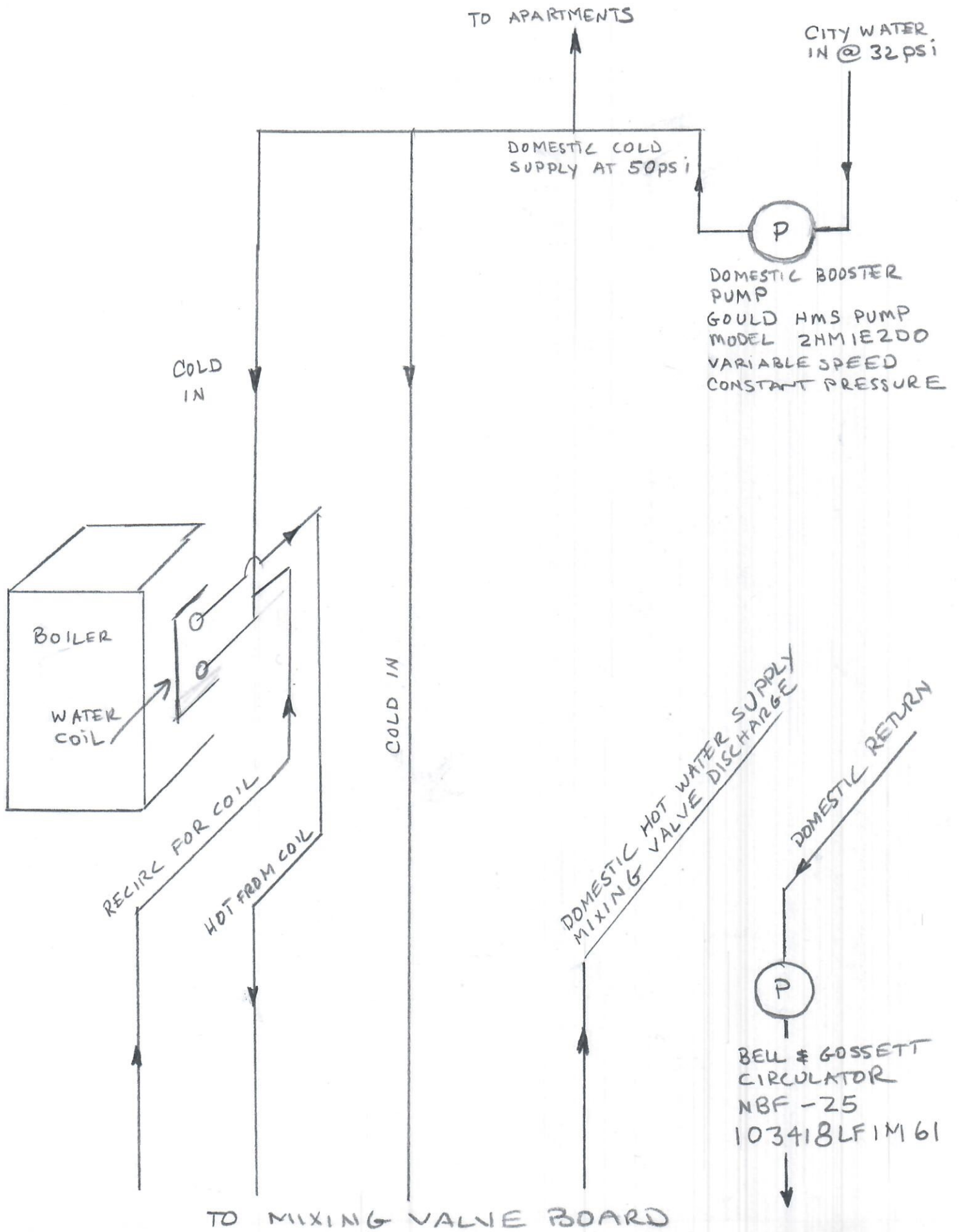


169 WEST 83RD STREET
 MIXING VALVE BOARD

169 W 83RD



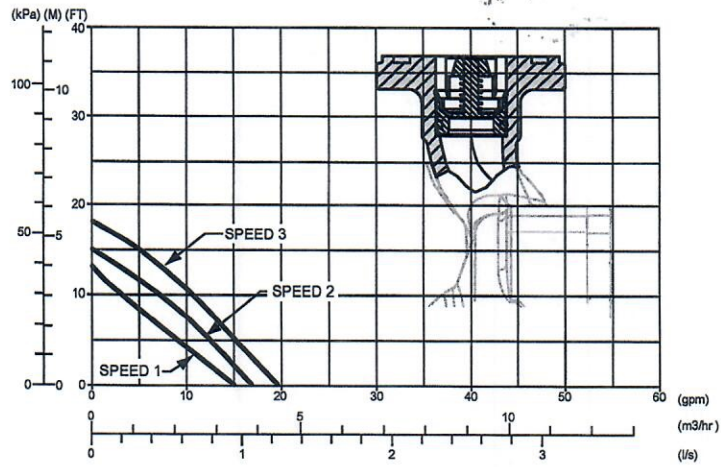


Figure 6: Centrifugal pump series NRF-25 with check valve

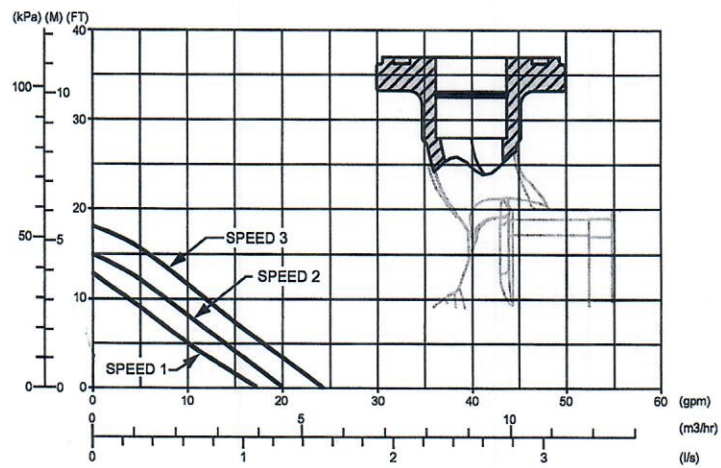
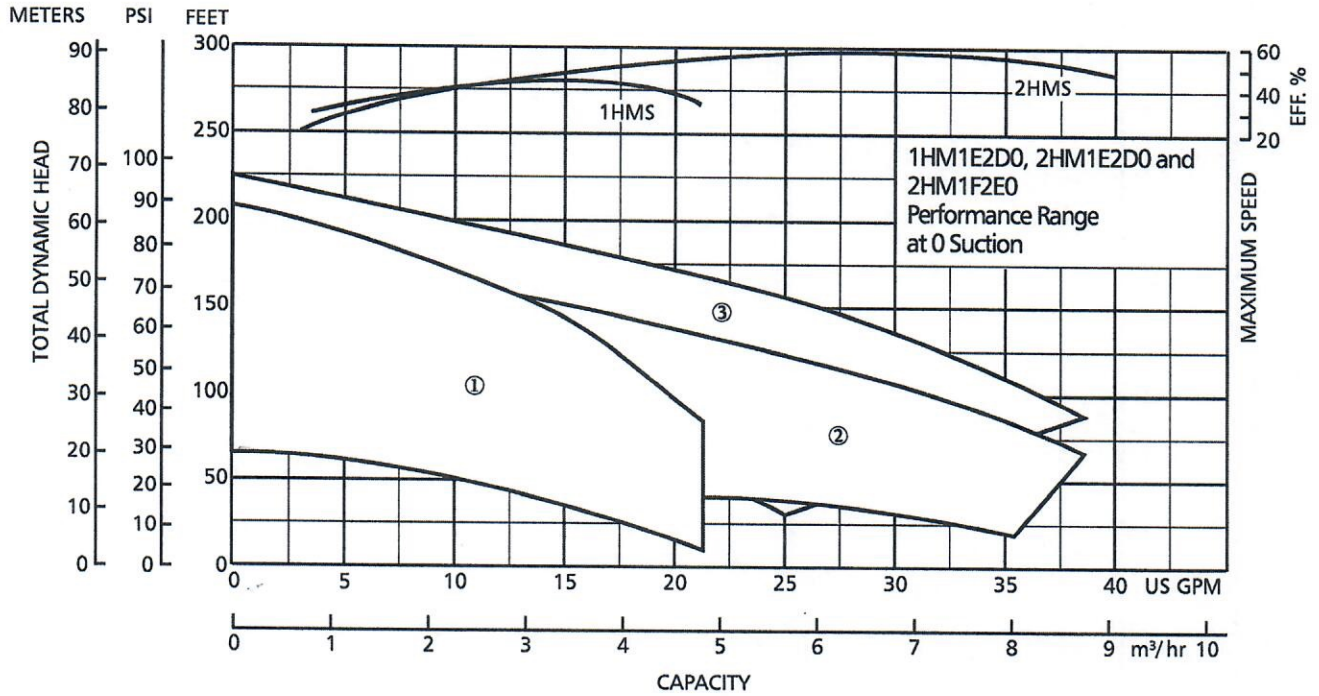


Figure 7: Centrifugal pump series NRF-25 without check valve

D
A
fre
Au
CO
Pur.
N
S.
Bea

MO
I
N
S
NE
NB
SS.
NBI
SSF
NE
NB
SS.
NB
SS.
NBF
NBF
NBF.
NBF.
d circ
rs let
L SF
tract
on ti
mps
d an
be :
-25, l
rs] o,
ps s:
are :

**Variable Speed
Constant Pressure Systems**



① Curve represents pump model 1HM1E2D0.

~~②~~ ② Curve represents pump model 2HM1E2D0. ←

③ Curve represents pump model 2HM1F2E0.

ADJUSTS ITS CURVE TO MEET THE NEEDS OF THE SYSTEM