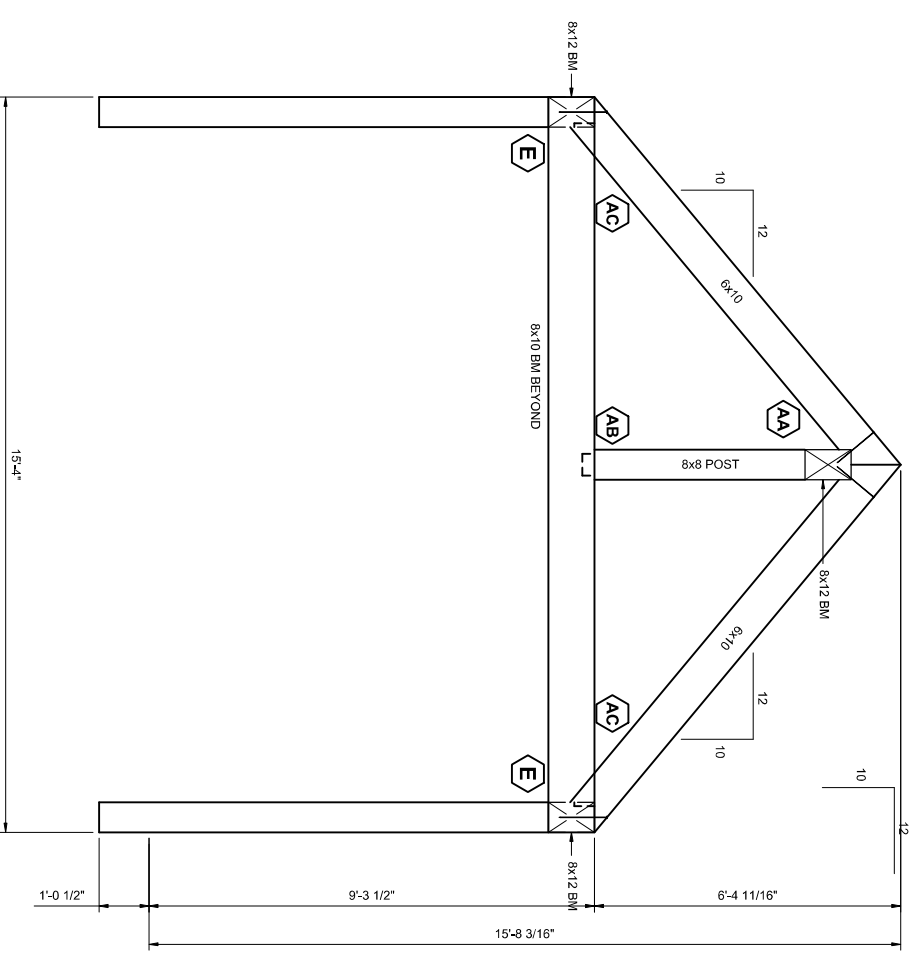


BENT #8
 SCALE: 1/2"=1'-0"
 REFER TO DWG S01 FOR DRAWING NOTES



SECTION AT BUNK AREA
 SCALE: 1/2"=1'-0"
 REFER TO DWG S01 FOR DRAWING NOTES