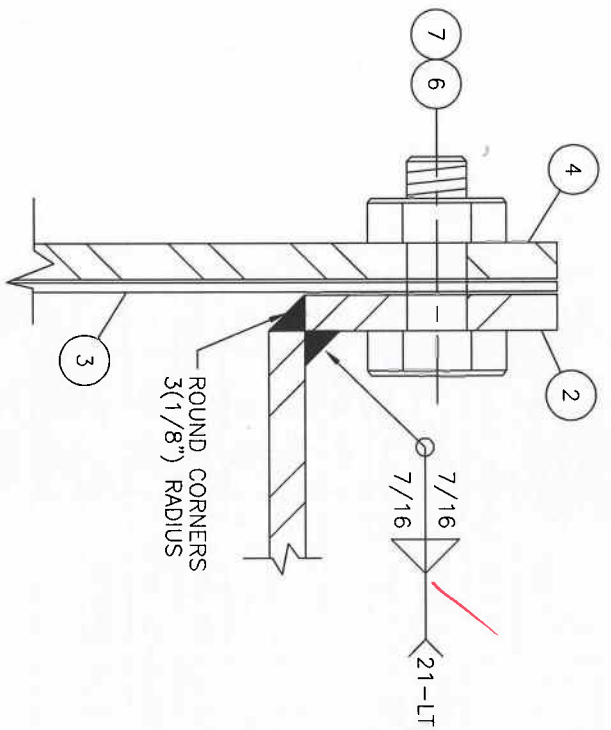


THROAT JOINT DETAIL
SCALE: N.T.S.



DETAIL "A"
SCALE: N.T.S.

42-22(7/8") DIA. HOLES
FOR 19(3/4") DIA. BOLTS
ON 921(3'-0 1/4") B.C.D.
EQUALLY SPACED.

