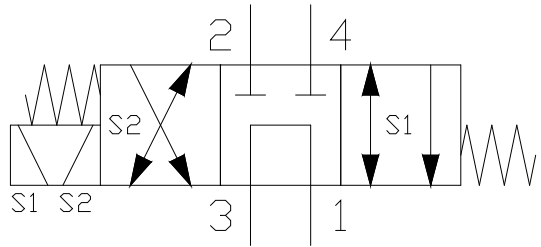


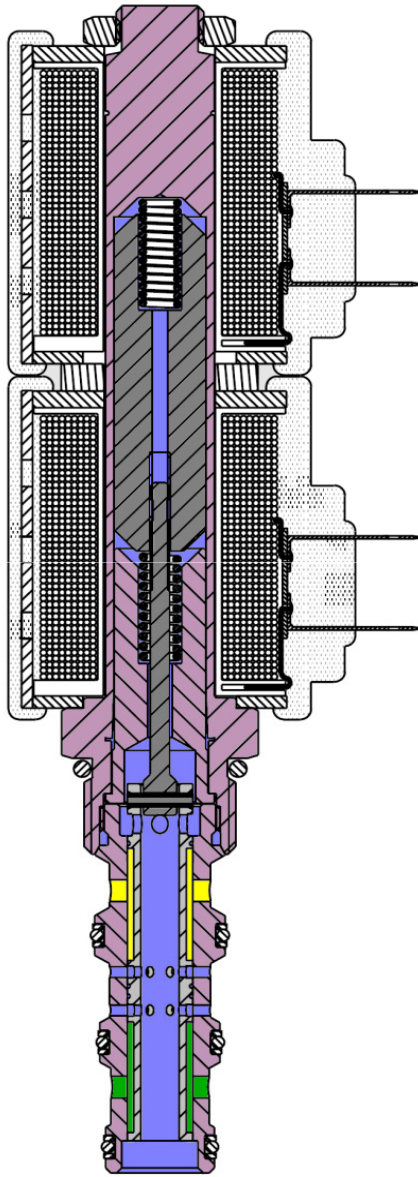
S1 (on the end of the cartridge) is a “pulling” solenoid.

S2 (next to the manifold/body to which the cartridge has been installed) is a “pushing” solenoid.

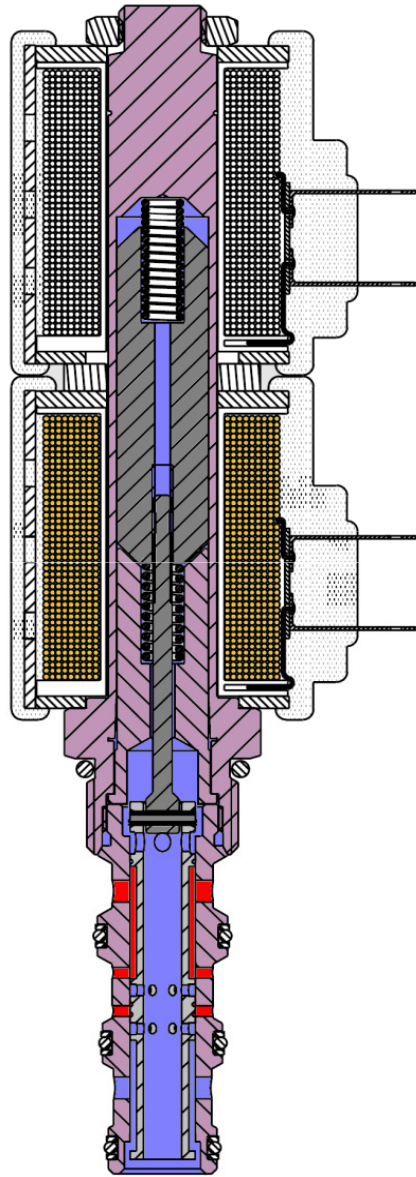


ISO 1219-1:2006 does not define this type of valve in sufficient detail to allow its configuration to be accurately represented.

*De-energised*



*S2 Energised*



*S1 Energised*

