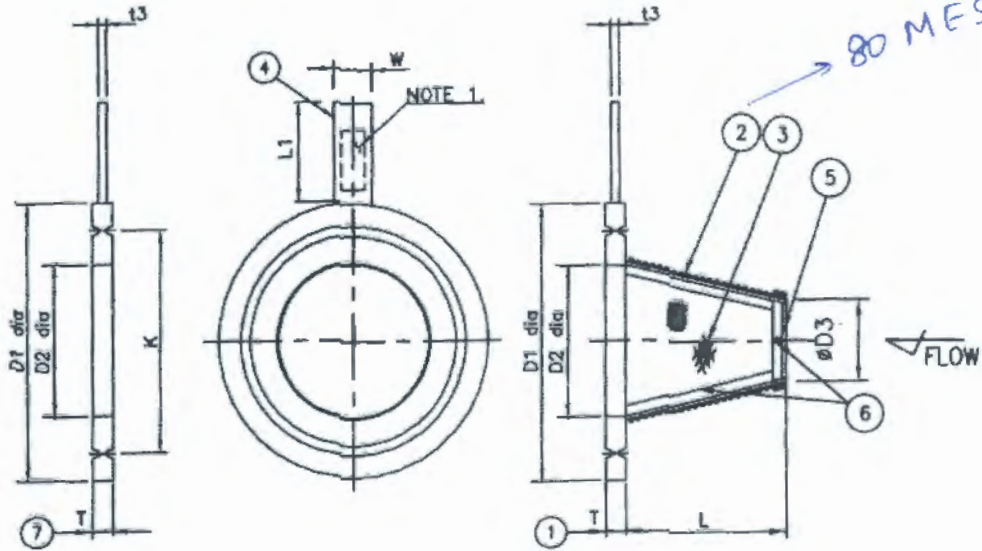


ITEM NO.	NOM'L SIZE	#D1	K	#D2	#D3	L	L1	T	L3	W	MESH (S.W.G.)	PERFORATED PLATE	DIFFERENTIAL PRESSURE	END CONNECTION	Q'TY	REMARKS
232-SP-2105A/B	14" SCH.80	457	419.1	310	225	800	130	20	6	35	80(40)	#10 x 12P x 3.0t	3 Bar	ASME 600# RTJ	2	
232-SP-2104A/B	20" SCH.60	635	584.2	450	330	1300	130	25	6	35	80(40)	#10 x 13P x 4.0t	3 Bar	ASME 600# RTJ	2	
232-SP-2103A/B	24" SCH.60	749	692.2	540	400	1550	130	30	6	35	80(40)	#10 x 13P x 4.0t	3 Bar	ASME 600# RTJ	2	



NOTE.

1. Die-stamped : SIZE, RATING, MATERIAL, ITEM NO.
2. SURFACE FINISH OF GASKET CONTACT AREA AS MAX.63 AARH
3. SPARE PARTS FOR START-UP & COMMISSIONING : 40 MESH ELEMENT

PART NO.	PART NAME	MATERIAL	Q'TY
7	SPACE RING	347 SS	1
6	STIFFENER BAR	347 SS	1
5	END PLATE	347 SS	1
4	SUPPORT	A240 - 347	1
3	PERFORATED PLATE	A240 - 347	1
2	SCREEN	347 SS	1
1	FLANGE	A240 - 347	1