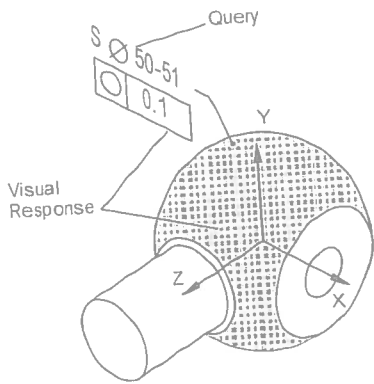
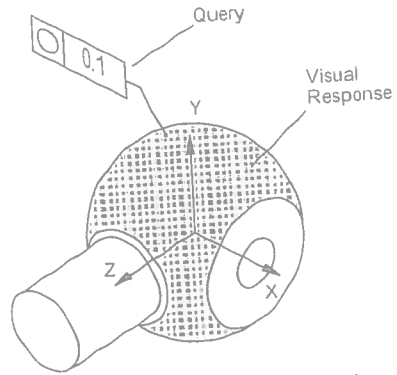


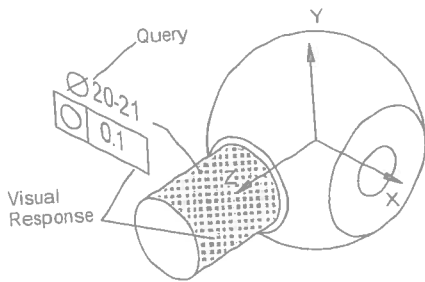
Fig. 12-2 Circularity - Sphere, Conical, or Revolved Surface



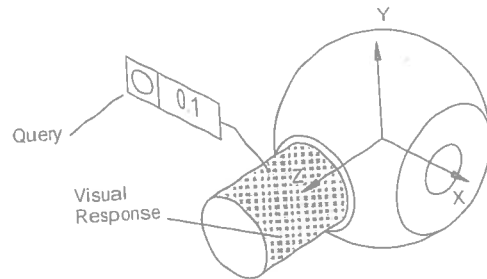
(a) Sphere- Size Attachment.



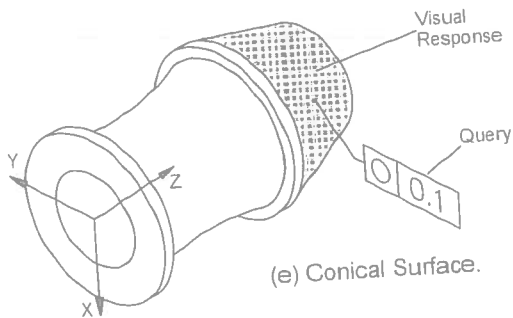
(b) Sphere - Leader Attachment.



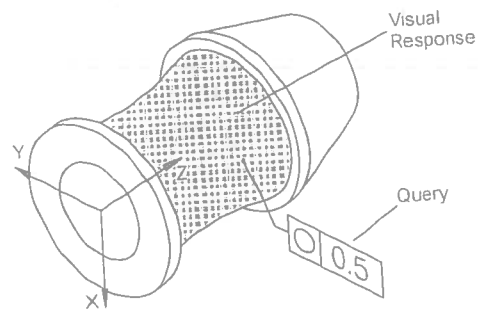
(c) Cylinder- Size Attachment.



(d) Cylinder- Leader Attachment.



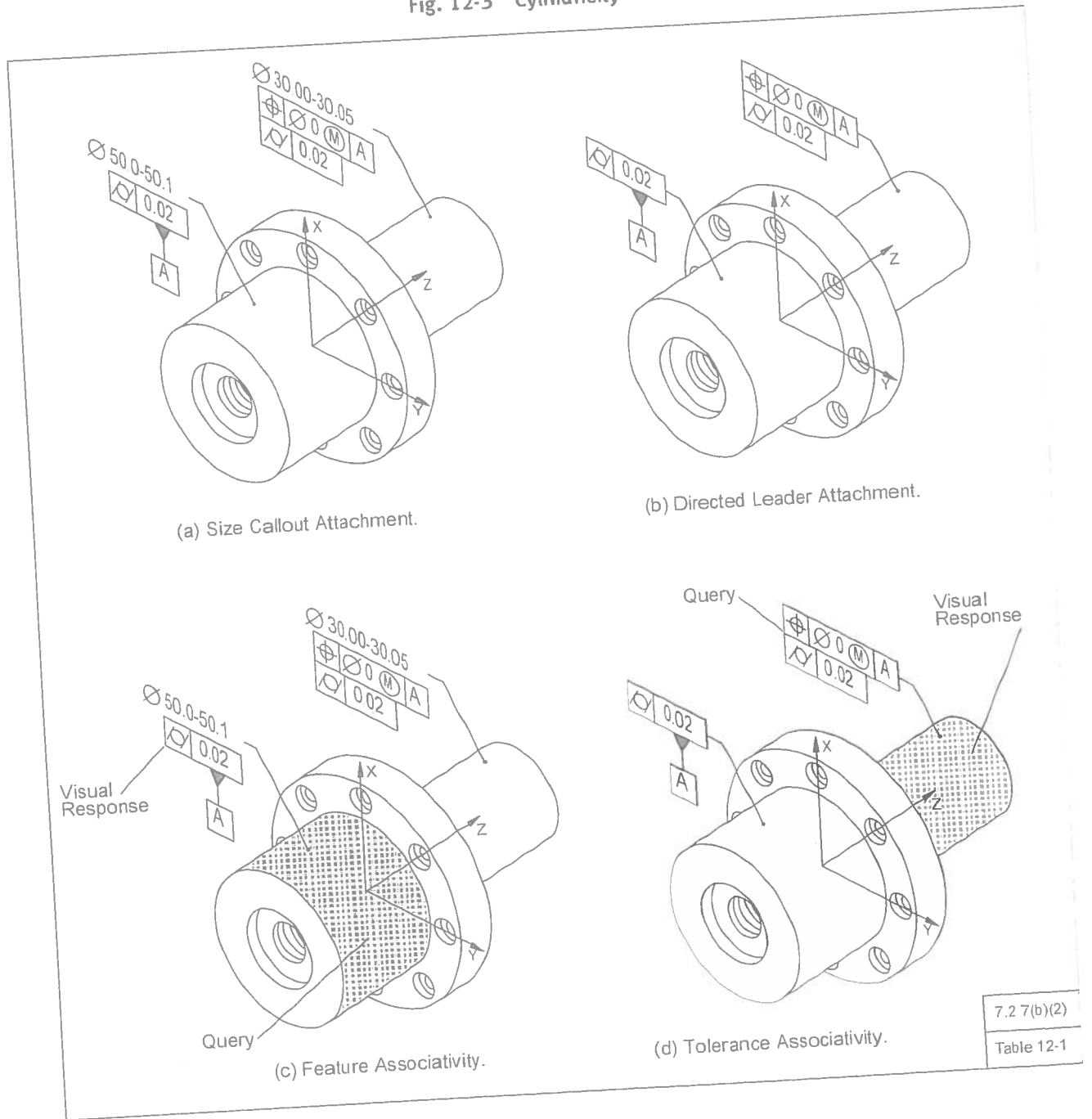
(e) Conical Surface.



(f) Surface of Revolution.

Table 12-1
12.2 1(b)

Fig. 12-3 Cylindricity



7.2.7(b)(2)
Table 12-1