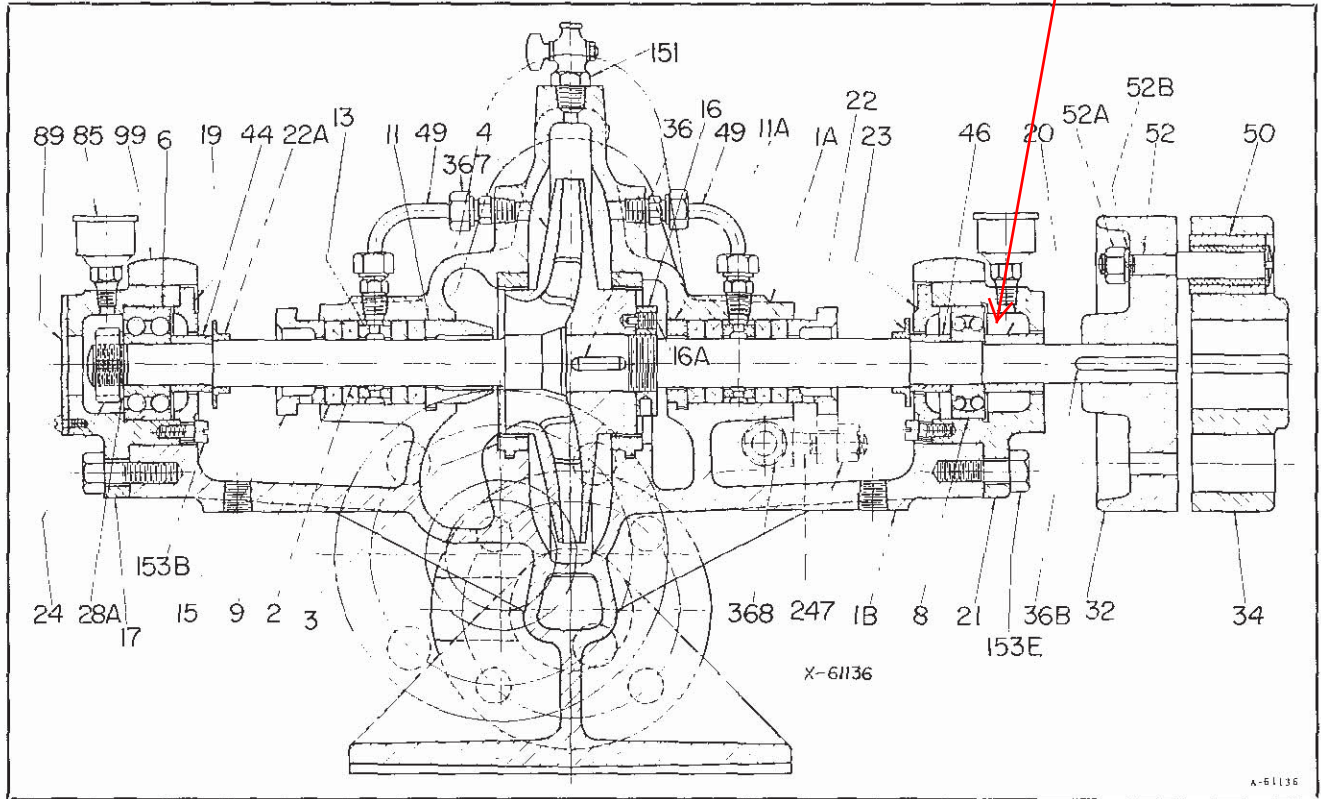


TYPE "R" CENTRIFUGAL PUMP

Shaft broke here before bearing



PARTS LIST

ITEM NO.	NAME OF PART
1-A	CASING UPPER HALF
1-B	CASING LOWER HALF
2	SHAFT
3	*CASING RING
4	IMPELLER
6	*THRUST BEARING
8	*LINE BEARING
9	*PACKING
11	STUFFING BOX BUSHING
13	SEAL CAGE
15	GLAND
16	IMPELLER SHAFT NUT
17	THRUST BEARING HOUSING
19	THRUST BEARING COVER
20	SHAFT BUSHING
21	INBOARD BEARING HOUSING
22	WATER SHIELD

ITEM NO.	NAME OF PART
23	LINE BEARING COVER
24	BEARING NUT
26	COUPLING SHAFT NUT
28-A&B	LOCK WASHER
32	DRIVEN HALF COUPLING
34	DRIVER HALF COUPLING
36	IMPELLER KEY
36-B	COUPLING KEY
44	THRUST BEARING COLLAR
46	LINE BEARING COLLAR
50	COUPLING BUFFER
52	COUPLING BOLT
85	GREASE CUP
89	NAME PLATE COVER
99	BEARING HOUSING STRAP
151	AIR COCK
247	GLAND SWING BOLT AND NUT

Refer to Page 12 for Coupling End Sectional Drawing

*These parts recommended as spare parts to be carried by user.

For export only—recommended in place of above:

- 1 - Complete Rotor Assembly
- 2 - Sets of Packing