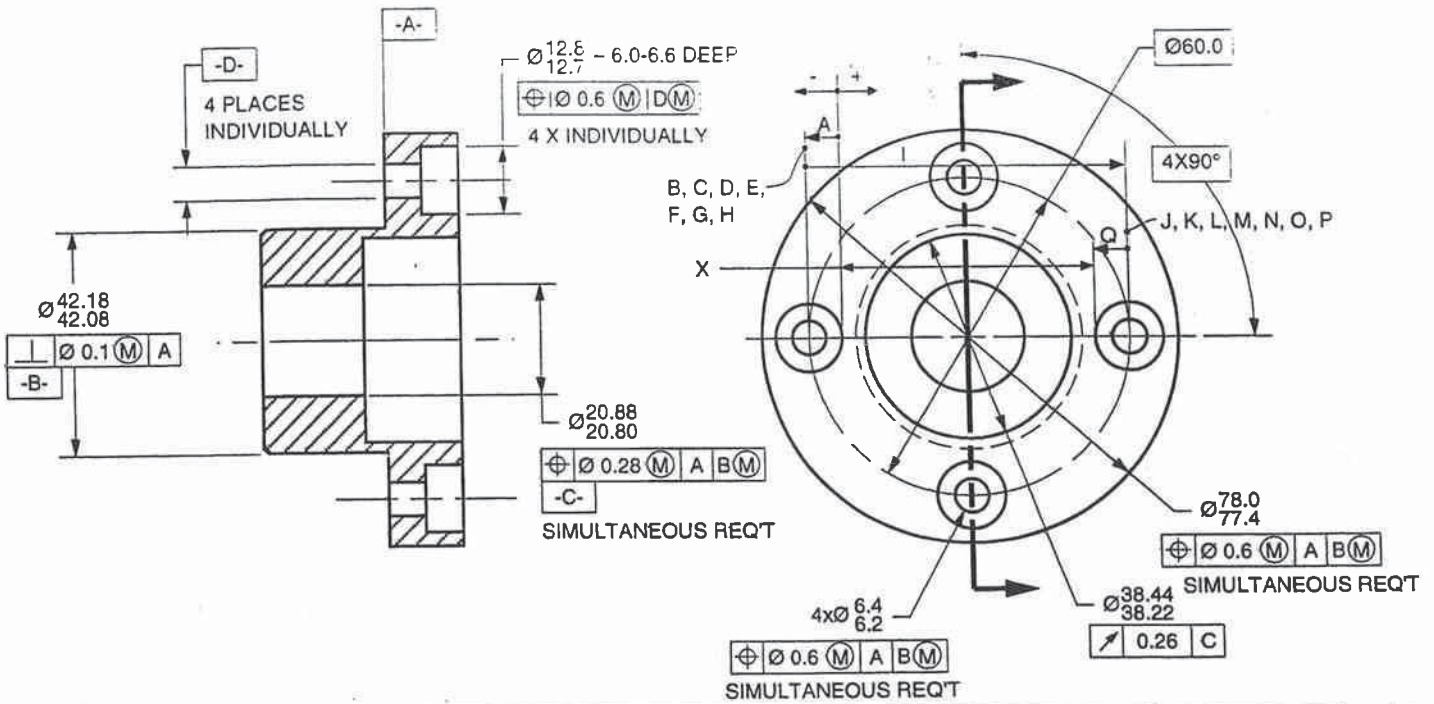


FIND THE MAX AND MIN DISTANCE BETWEEN THE
COUNTERBORES (X)



DISTANCE		COMMENT NO.		MAXIMUM		MINIMUM		TOLERANCE	
PART NO.	REV	DESCRIPTION FROM/TO		+ MAX - MIN	+ - MIN	+ MIN - MAX			
A		SU CBORE / \varnothing CBORE ACT		-	6.35	-	6.40	0.05	
B		\varnothing CBORE ACT / \varnothing CBORE TP \oplus		+	0.3	-	0.3	0.6	
C		BONUS	1	+	0.0	-	0.05	0.05	
D		SHIFT	2	+	0.4	-	0.4	0.8	
E		\varnothing CBORE TP / \varnothing D ACT		+	0.0	-	0.0	0.0	
F		\varnothing D ACT / \varnothing D TP \oplus		+	0.3	-	0.3	0.6	
G		BONUS	3	+	0.1	-	0.1	0.2	
H		SHIFT	4	+	0.0	-	0.0	0.0	
I		\varnothing D TP / \varnothing D TP		+	60.0	+	60.0	0.0	
J		\varnothing D TP / \varnothing D ACT \oplus		+	0.3	-	0.3	0.6	
K		BONUS	3	+	0.1	-	0.1	0.2	
L		SHIFT	4	+	0.0	-	0.0	0.0	
M		\varnothing D ACT / \varnothing CBORE TP		+	0.0	-	0.0	0.0	
N		\varnothing CBORE TP / \varnothing CBORE ACT \oplus		+	0.3	-	0.3	0.6	
O		BONUS	1	+	0.0	-	0.05	0.05	
P		SHIFT	2	+	0.4	-	0.4	0.8	
Q		\varnothing CBORE ACT / SU CBORE		-	6.35	-	6.40	0.05	
COMMENTS				SUB TOTALS	+	49.5	+	44.9	4.6
1 = 2 B				ANSWER	+	49.5	+	44.9	TOLERANCES OPTIMIZED? <input type="checkbox"/> YES <input type="checkbox"/> NO
2 = 1 S				DESIGN GOAL	<input type="text"/>				
3 = 1 B				NAME	DATE				
4 = \triangle									