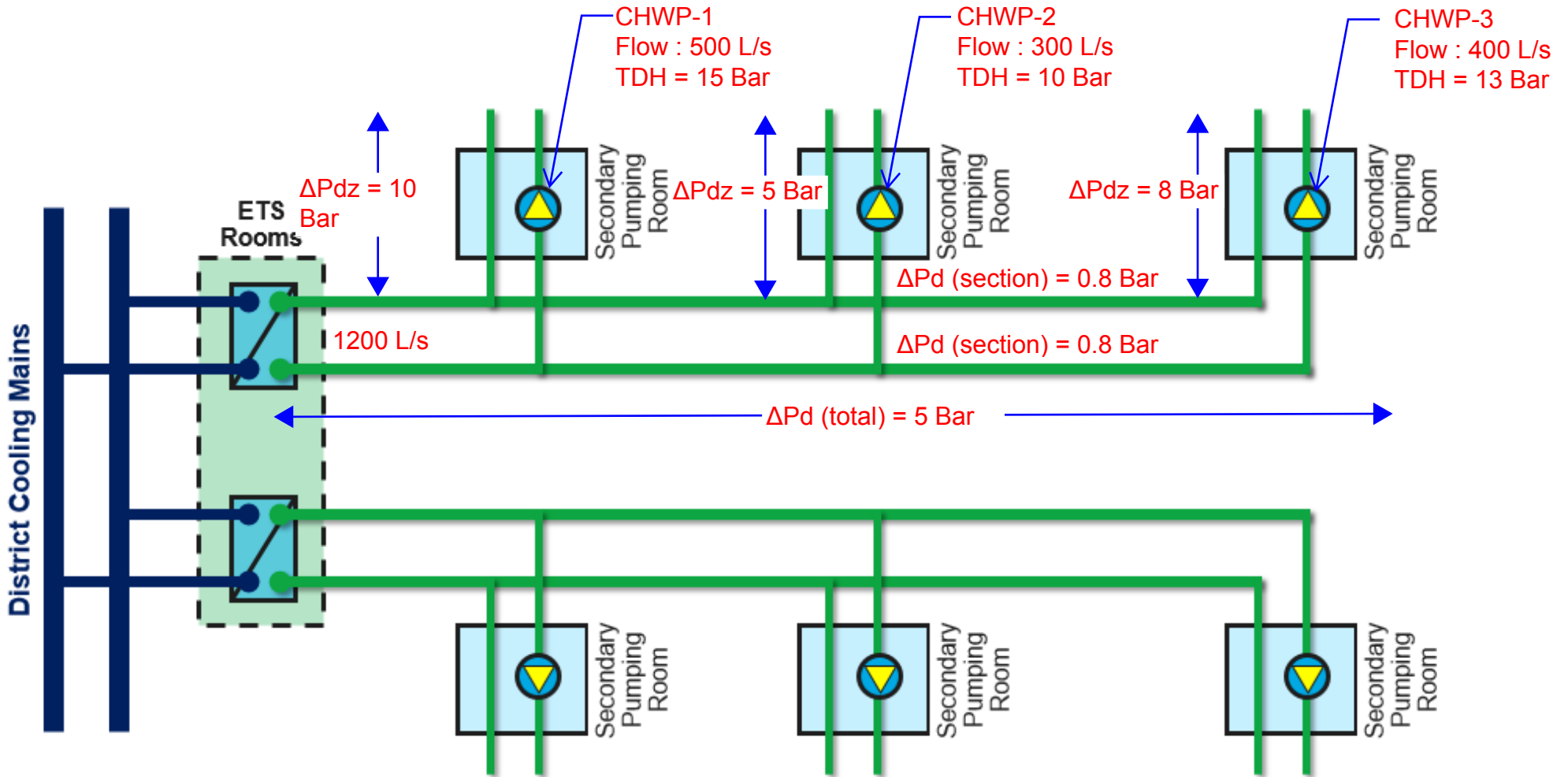


FULL LOAD



PART LOAD

