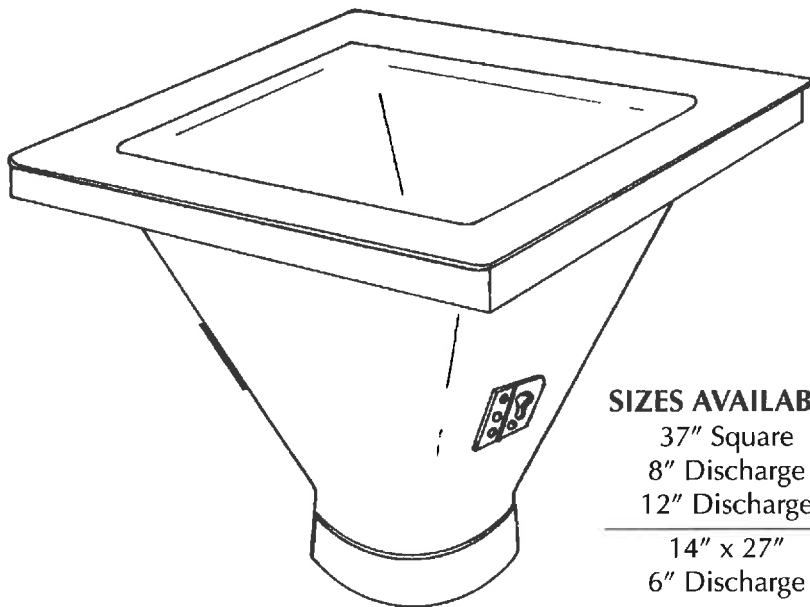




CONCRETE PLACEMENT MATERIALS

POLYETHYLENE HOPPERS



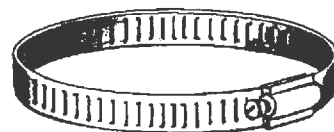
SIZES AVAILABLE

- 37" Square
- 8" Discharge
- 12" Discharge

- 14" x 27"
- 6" Discharge

STEEL CLAMPS

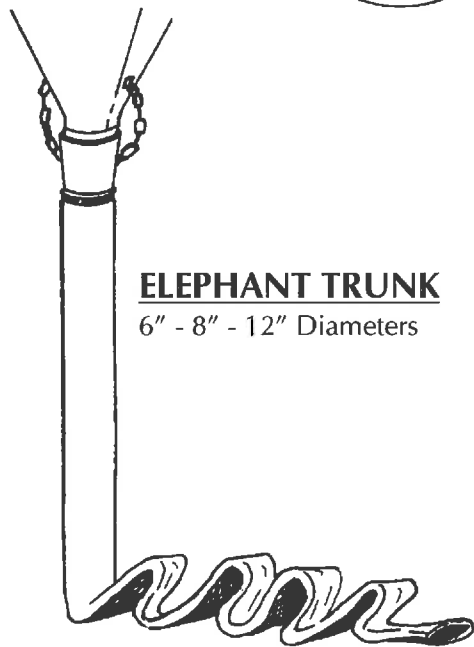
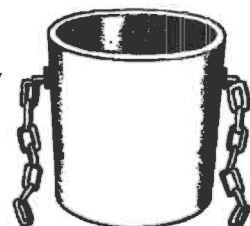
Fits both 8" and 12" steel collars and hoppers.



STEEL COLLARS

SIZES:

- 9" to 8"
- 13" to 12"



ELEPHANT TRUNK

6" - 8" - 12" Diameters

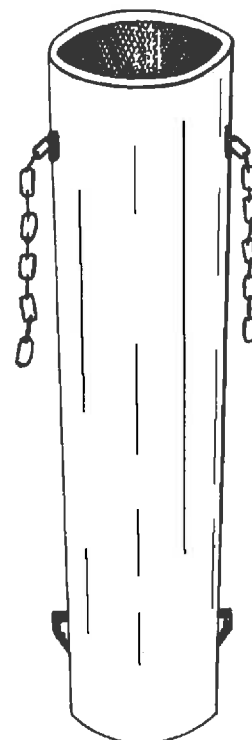
GEORGIA BUGGIES



TREMIE PIPE

SIZES AVAILABLE

- 4 ft. Lengths
- 9" to 8" Diameter
- 13" to 12" Diameter



ALUMINUM CONCRETE CHUTE

