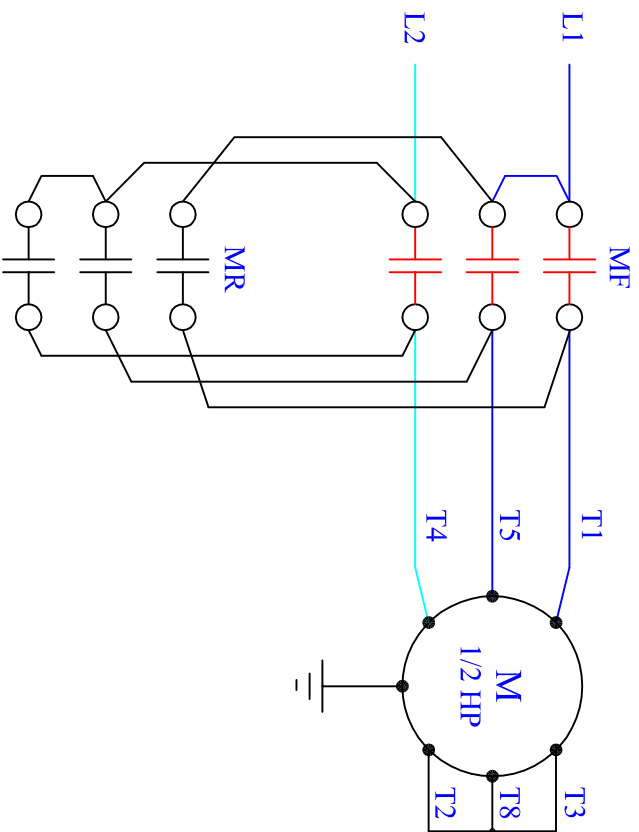


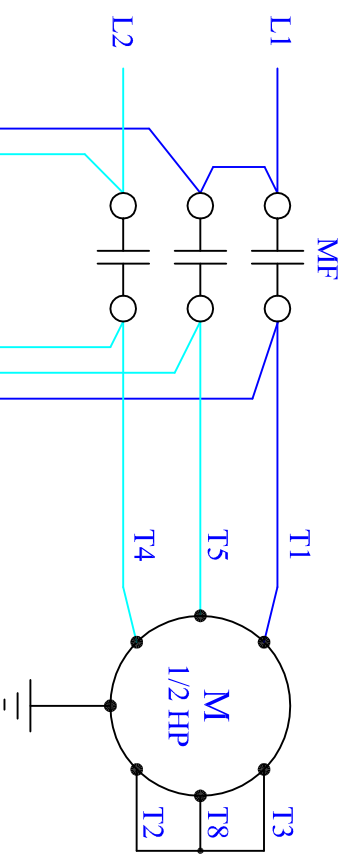
MF ENERGIZED



MF:  
L1-T1, T5  
L2-T4

MR:  
L1-T1  
L2-T4, T5

MR ENERGIZED



THEY ARE SWITCHING L1 AND L2 ON T5, RATHER HAN SWAPPING 5&8