

Part No: 171417 Model Code: 6PSS67TBW/X12F38.53FSX

This unit will be completely assembled and tested before shipment.

Maximum Inlet pressure 150 psig.

Maximum usable inlet pressure may be limited

by the cable connectors depending on

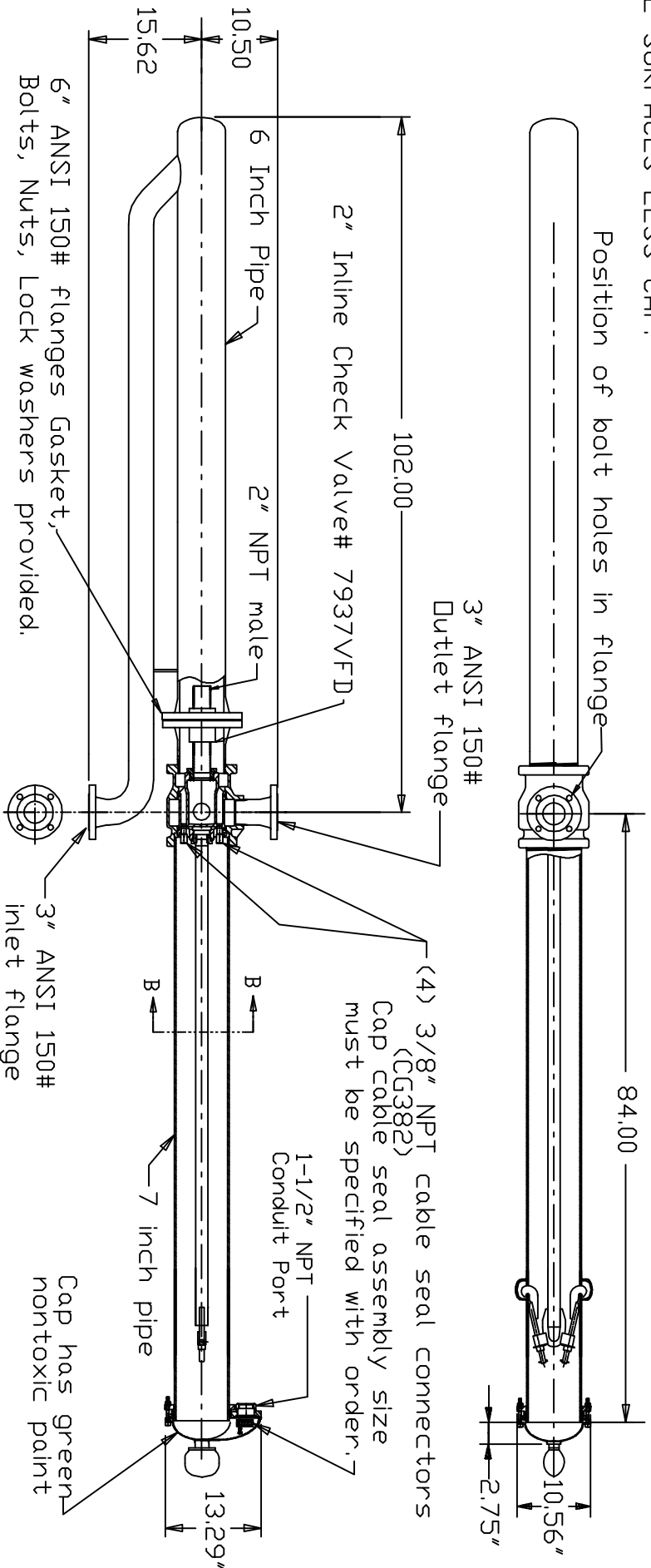
actual cable size and material.

NSF 61 CERTIFIED

NSF 61 EPOXY POWDER COAT 3-5 MIL COVERING

ALL SURFACES LESS CAP.

3/8" NPT tappings to
pressure zones (plugged)
Sect. B-B
3/8" NPT tappings for
motor cables thru spool



DWG. NO. 171417

REV. DATE	12/21/17	Revised for Sales	REVISION	This information is confidential to Baker Mfg. Co. (Baker). It can not be disclosed to others without the written consent of Baker.	BY: ATL DATE: 10/13/17	Proj: #202 Baker Mfg. Co. 133 Enterprise St., Evansville, WI, USA 53536	DWG. SIZE B DWG. NO. 171417
-----------	----------	-------------------	----------	--	---------------------------	---	--------------------------------