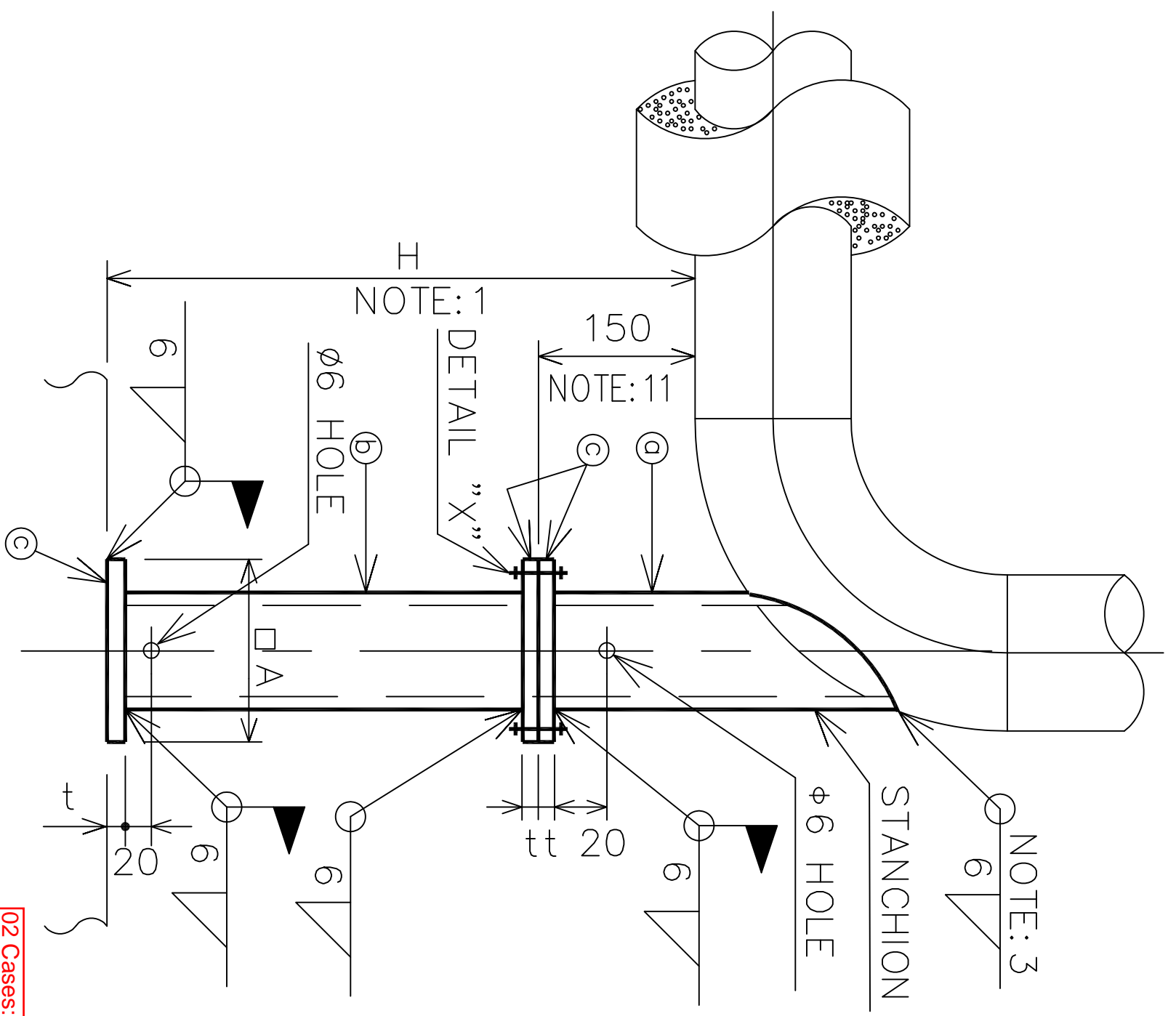
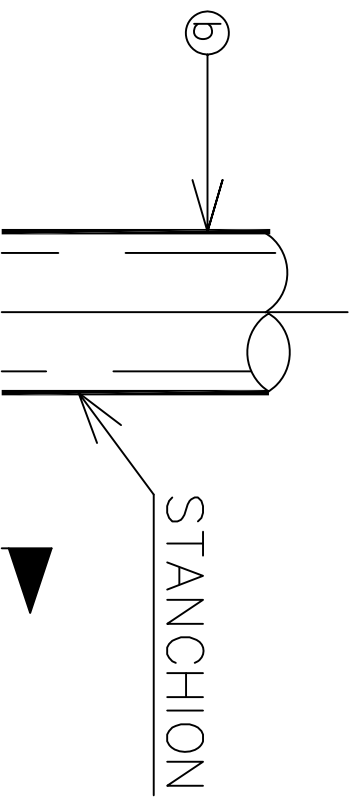


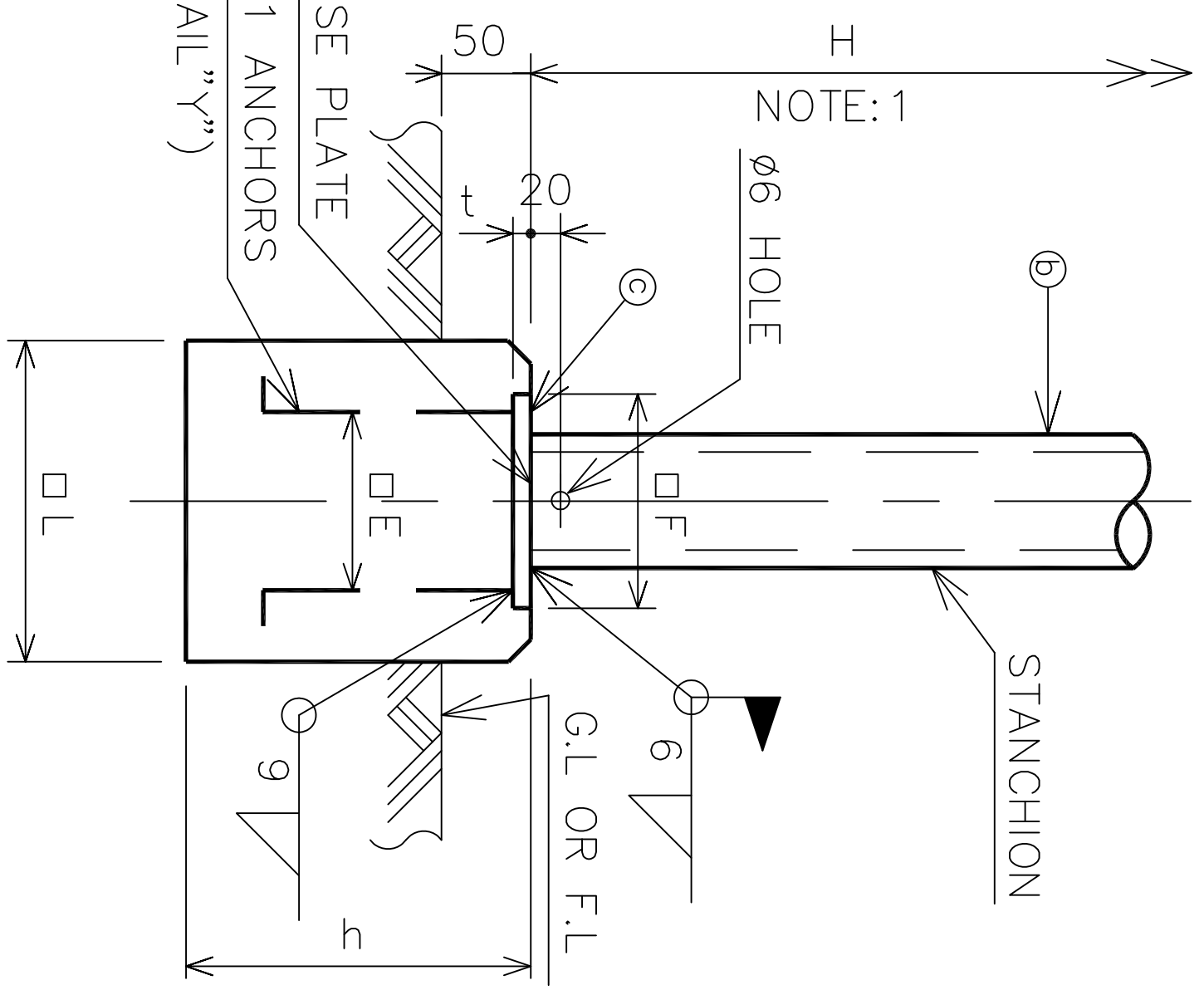
200)



TYPE "A"

02 Cases:
 Left side is case where the stool will be welded to steel structure (pipe rack or platforme) and right side is case with foundation on the ground.

BASE PLATE
 4-φd1 ANCHORS
 (DETAIL "Y")
 LEAN



TYPE "B"

NOTE: 13

TYPE "D"

(WITHOUT FOUNDATION OF TYPE "B")

NOTE: 12