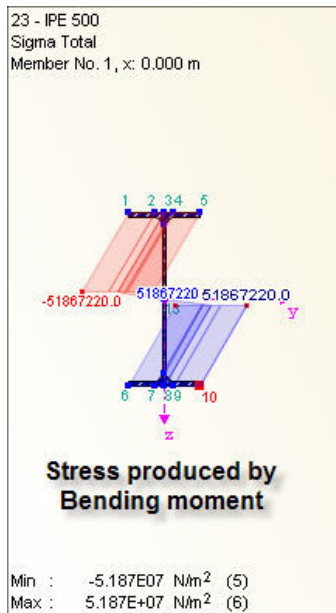
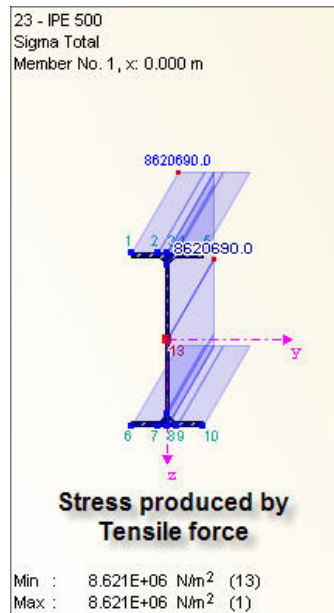


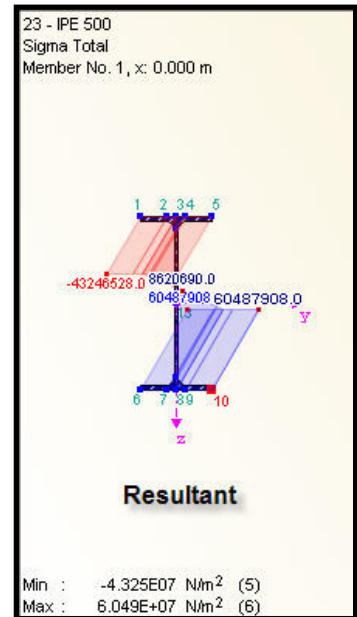
EXAMPLE 1,
Bending Moment = Major ; Tensile force = Minor



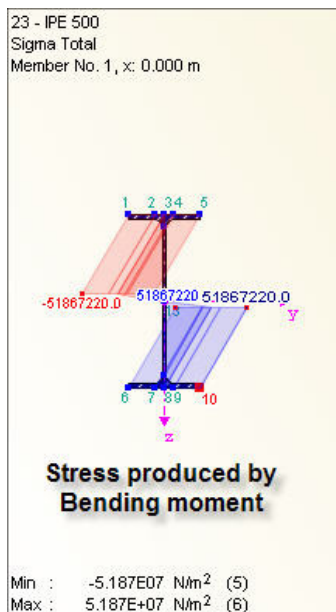
+



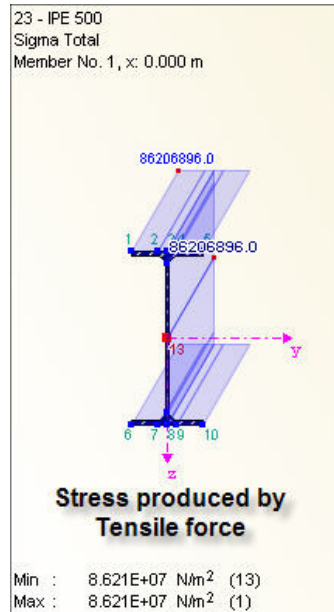
=



EXAMPLE 2,
Bending Moment = Minor ; Tensile force = Major



+



=

