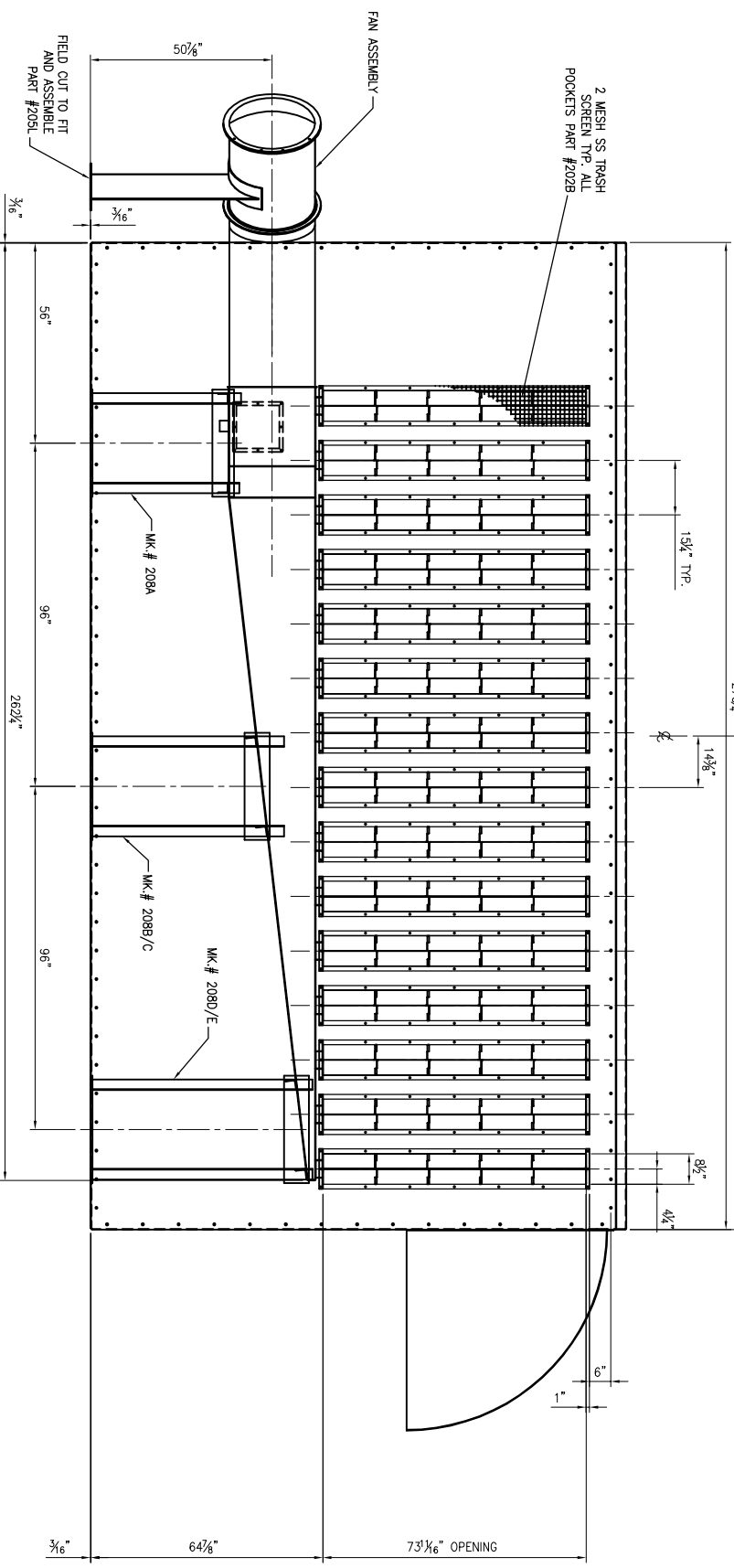
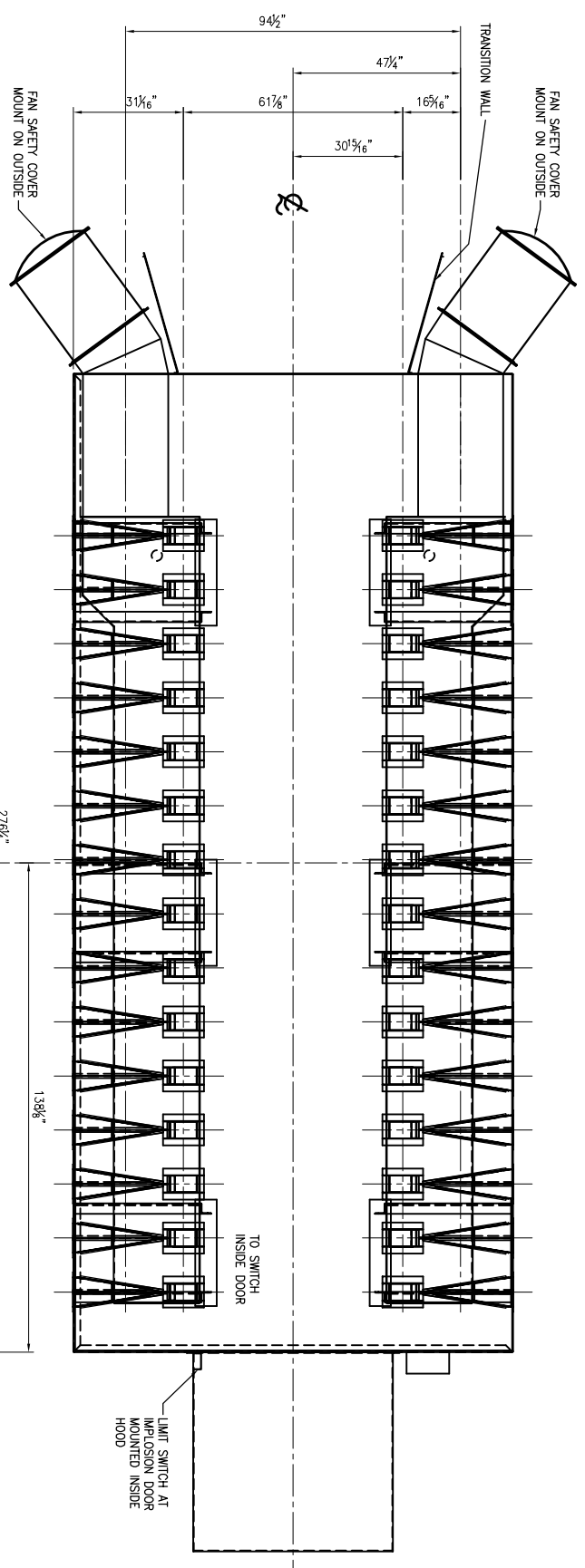
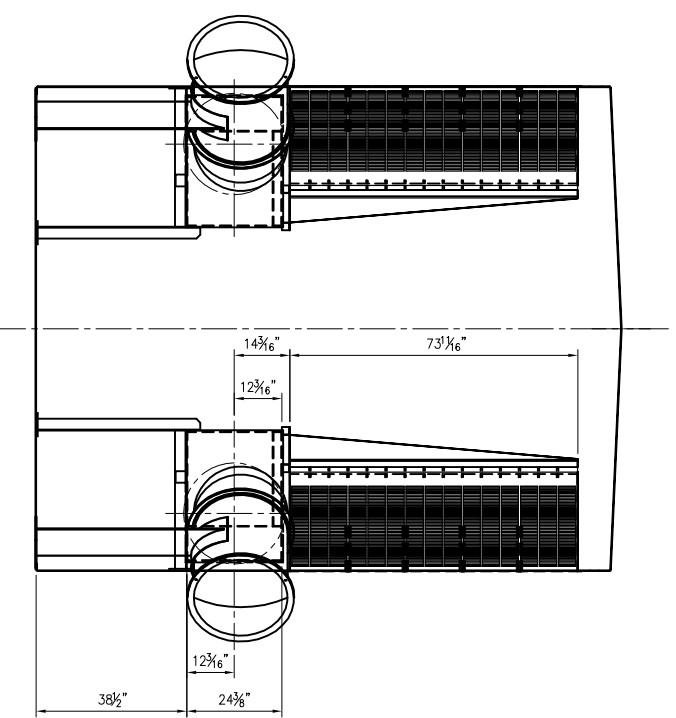
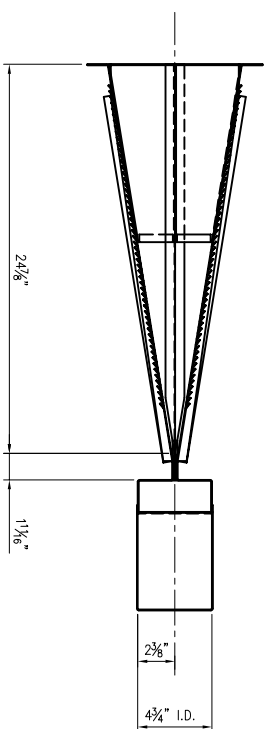


NOTE:
 PARTS OF PLENUM NOT SHOWN FOR CLARITY.
 PLENUM SHOWN ONLY FOR LOCATIONAL REF.
 ADAPTOR ELBOW ASSEMBLY TO FAN
 QTY. SIX (6) SEE D-50303-207
 2 NEW CONSTR.
 4 RETRO-FIT
 NEED FAN SADDLE SUPPORT
 QTY. SIX (6) SEE D-50303-205 PART #205L
 2 NEW CONSTR.
 4 RETRO-FIT



INERTIAL SEPARATOR & DUCT ARRANGEMENT

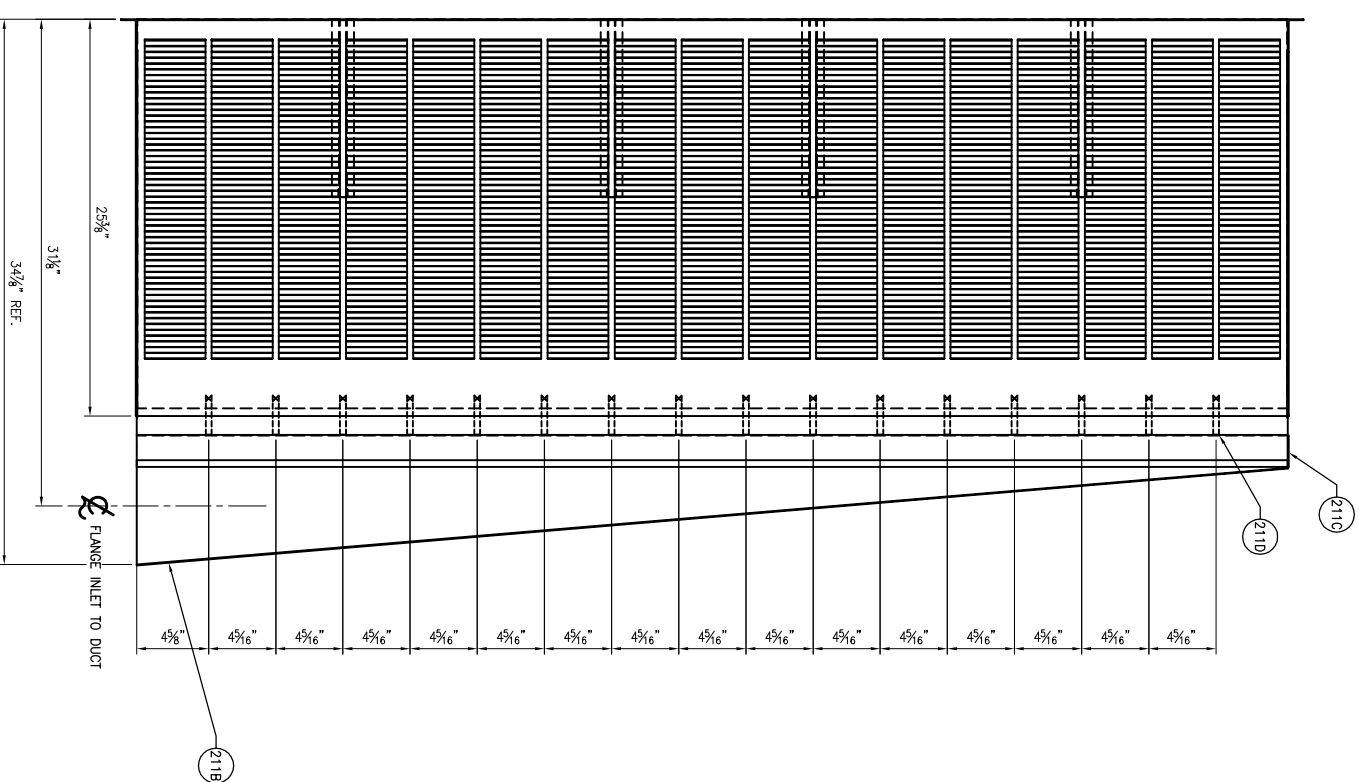
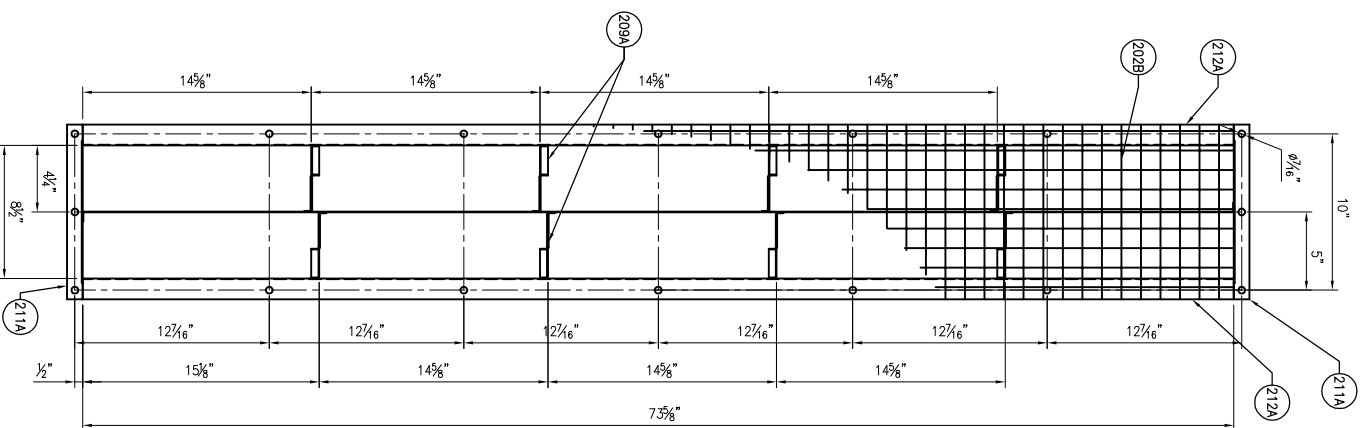
ISSUED AS BUILT
 THIS DRAWING IS ISSUED AS CERTIFIED AND MEETS ALL CUSTOMER REQUIREMENTS ON THE DATE ISSUED.
 SIGNED



BILL OF MATERIALS

ITEM	QTY	DESCRIPTION	WEIGHT EA.	COMMENT
202A	30	INERTIAL SEPARATOR POCKET ASSEMBLY	75 LBS.	WELDED 304 SS.
202B	30	S.S. MESH 2 X 2	2 LBS.	-
209A	30	INERTIAL SEPARATOR POCKET BAFFLE ASSEMBLY	3.3 LBS.	D-50303-209
211A	60	INERTIAL SEPARATOR POCKET END	2 LBS.	D-50303-211
211B	30	INERTIAL SEPARATOR CHUTE	4 LBS.	D-50303-211
211C	30	INERTIAL SEPARATOR POCKET CHUTE END	.13 LBS.	D-50303-211
211D	120	INERTIAL POCKET SPACER	.035 LBS.	D-50303-211
212A	60	INERTIAL SEPARATOR POCKET SIDE PANEL	34 LBS.	D-50303-212

QUANTITIES ARE FOR ONE (1) UNIT



202A INERTIAL SEPERATOR POCKET ASSEMBLY

THIRTY (30) REQUIRED
FAB'D. FROM WELDED 304 S.S.

**ISSUED
AS BUILT**

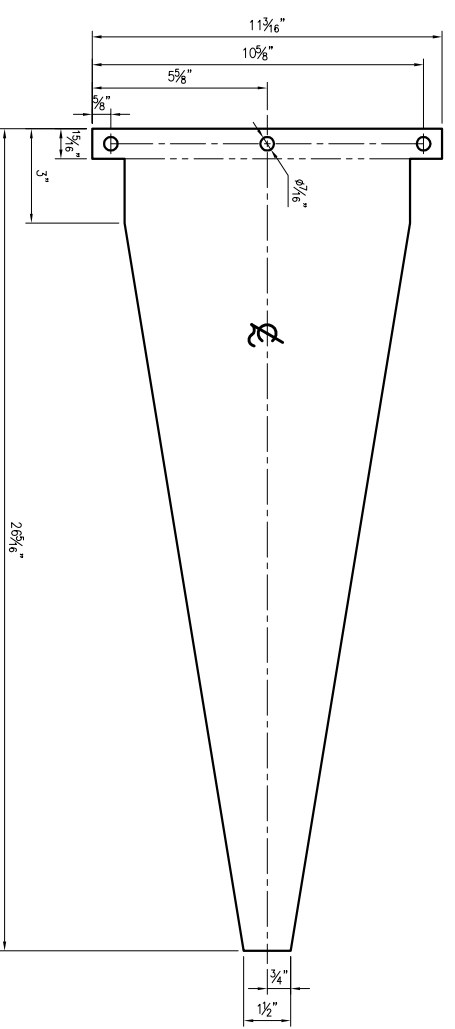
THIS DRAWING IS ISSUED AS
CERTIFIED AND MEETS ALL
CUSTOMER REQUIREMENTS ON
THE DATE ISSUED.

SIGNED

BILL OF MATERIALS

ITEM	QTY	DESCRIPTION	WEIGHT EA.	COMMENT
211A	60	INERTIAL SEPARATOR POCKET END	2 LBS.	-
211B	30	INERTIAL SEPARATOR CHUTE	4 LBS.	-
211C	30	INERTIAL SEPARATOR POCKET CHUTE END	.13 LBS.	-
211D	120	INERTIAL SEPARATOR POCKET SPACER	0.55 LBS.	-
ITEM-D1	240	INERTIAL SEPARATOR POCKET SPACER HALF	0.775 LBS.	-

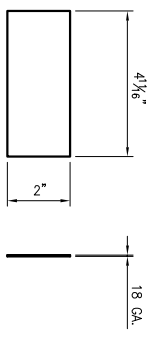
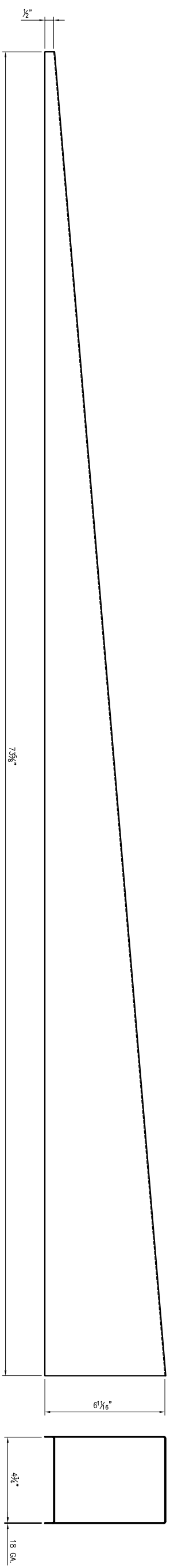
NOTE:
QUANTITIES ARE FOR ONE (1) UNIT



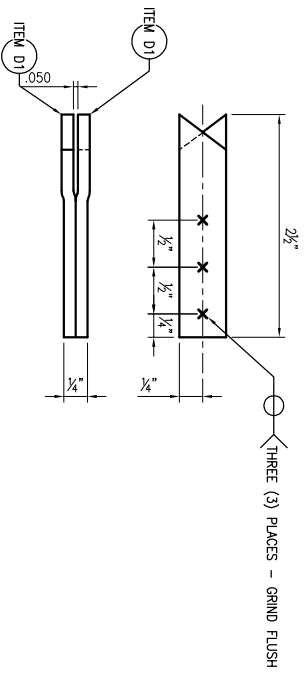
211A INERTIAL SEPARATOR POCKET END
SIXTY (60) REQ'D.
FAB'D FROM 304 SS.
18 GA. X 11 3/16" X 26 5/16"



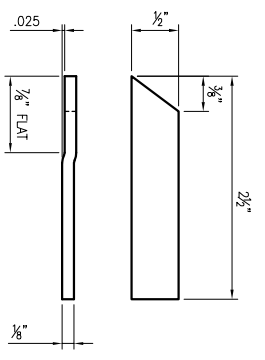
211B INERTIAL SEPARATOR CHUTE
THIRTY (30) REQ'D.
FAB'D FROM 304 SS.
18 GA. X 1 8/16" X 7 5/8"



211C INERTIAL SEPARATOR POCKET CHUTE END
THIRTY (30) REQ'D.
FAB'D FROM 304 SS.
18 GA. X 2" X 4 1/8"

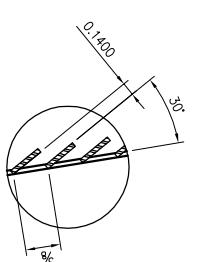
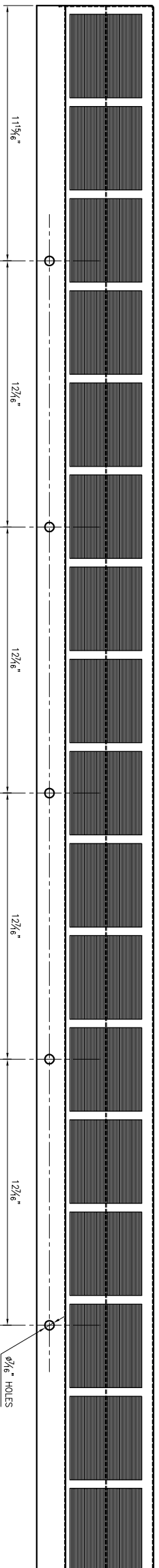


211D INERTIAL SEPARATOR POCKET SPACER
ONE HUNDRED TWENTY (120) REQ'D.
FAB'D FROM 304 SS.
ASSEMBLY SHOWN FULL SIZE

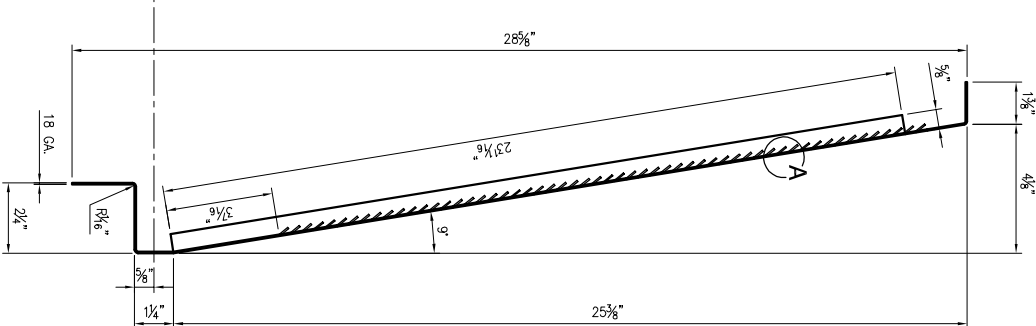
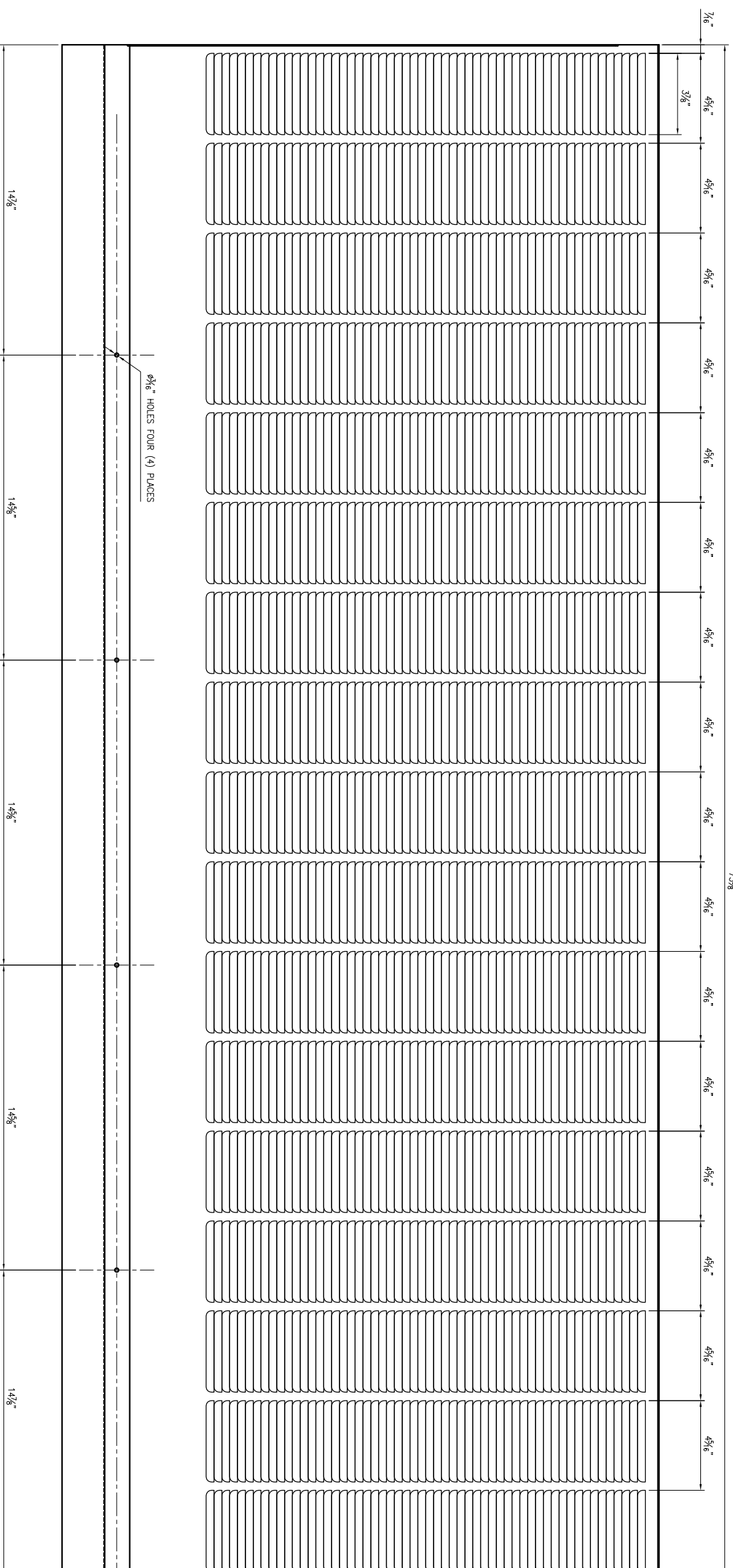


ITEM-D1 SPACER HALF
TWO HUNDRED FORTY (240) REQ'D.
FAB'D FROM 1/8" X 1/2" 304 SS. FB.
PART SHOWN FULL SIZE

ISSUED
AS BUILT
THIS DRAWING IS ISSUED AS
CERTIFIED AND MEETS ALL
CUSTOMER REQUIREMENTS ON
THE DATE ISSUED.
DRAWN



VIEW - A
FULL SIZE



212 INERTIAL SEPARATOR POCKET SIDE PANEL
 SMTY (60) RECD.
 THRTY (30) RECD. AS SHOWN
 THRTY (30) RECD. REVERSED
 FABD FROM 304 SS.
 18 GA. X 32 1/2" X 74 1/8"
 34 LBS.

NOTE:
 QUANTITIES ARE FOR ONE (1) UNIT

ISSUED
 AS BUILT
 THIS DRAWING IS ISSUED AS
 CERTIFIED AND MEETS ALL
 CUSTOMER REQUIREMENTS ON
 THE DATE ISSUED.
 SIGNED