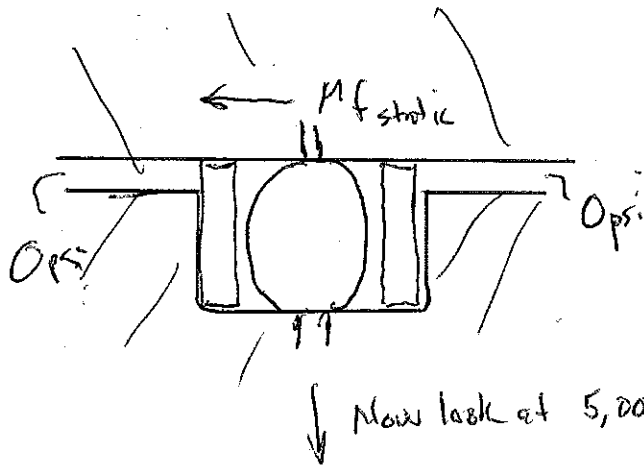


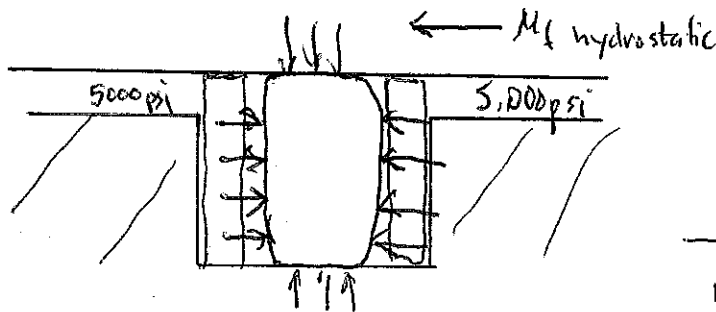
①



→ $F_s = 12 \text{ lbs}$
due to squeeze

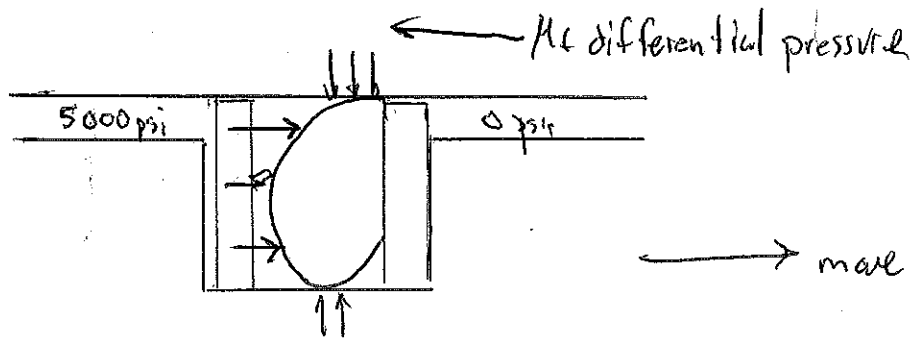
↓ Now look at 5,000 psi hydrostatic

②



→ $F = F_s + F$
move

③



→ move

- How is the friction for condition 2 w/ hydrostatic pressure not closely equiv. than condition 3 w/ dlp?
- Footprint difference may suggest pure hydrostatic has larger friction force.