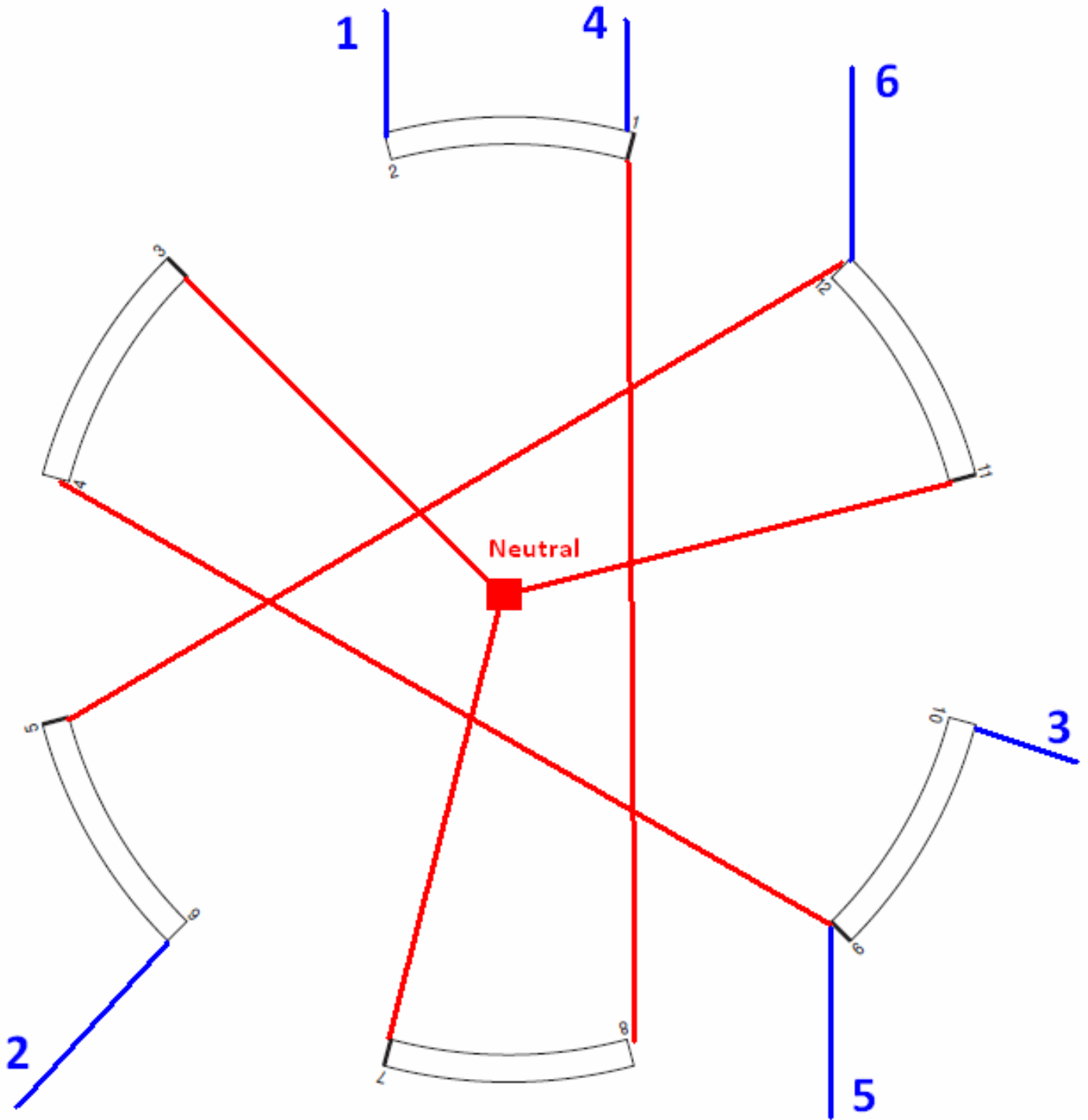
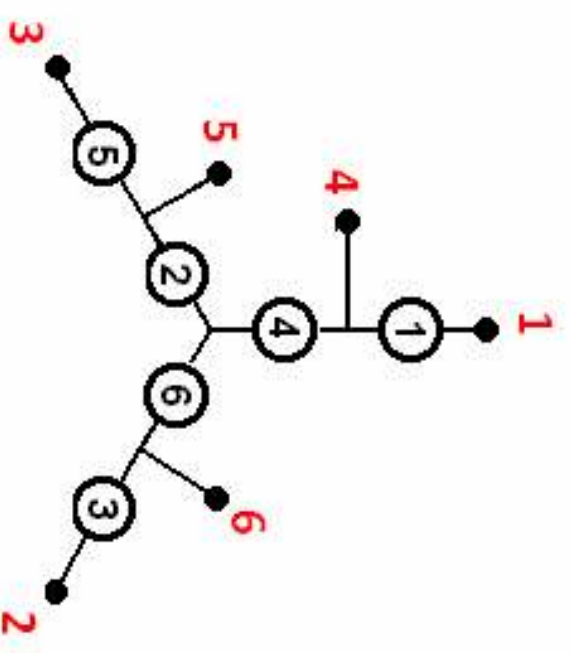
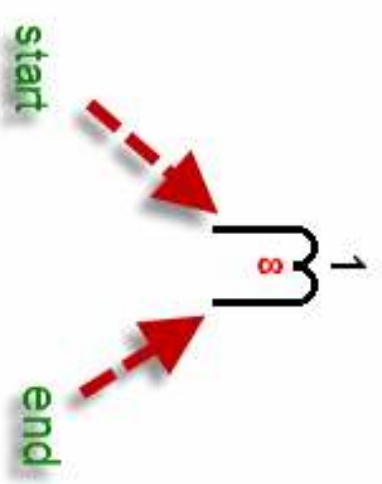
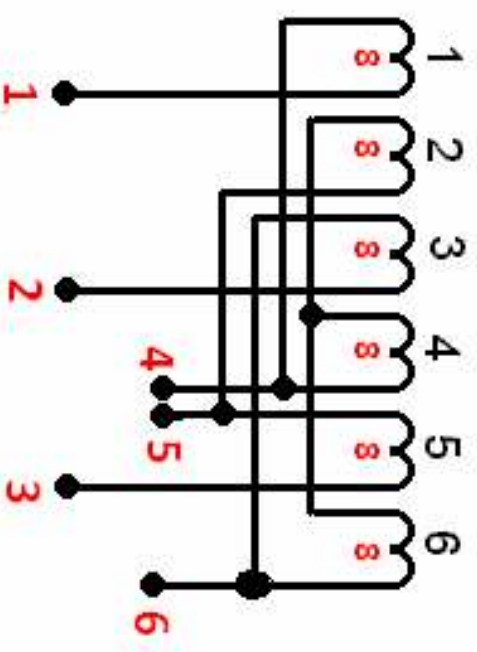


2 Pole

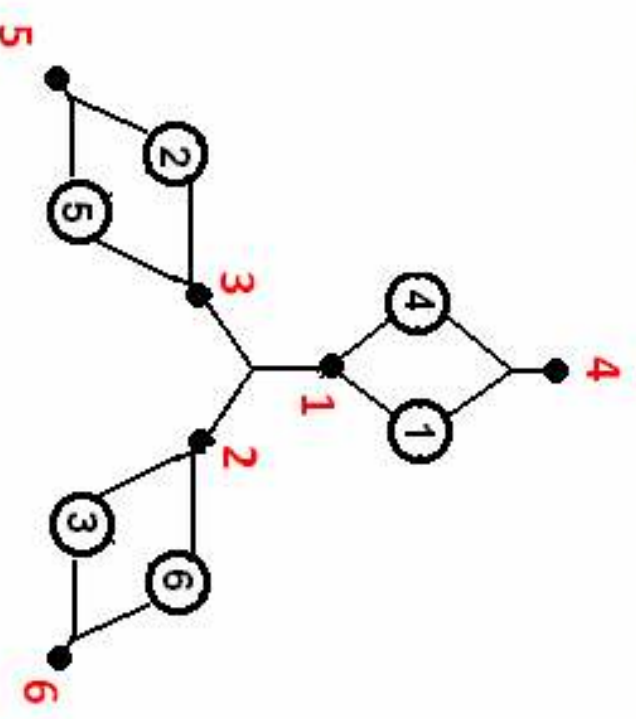


Job Number _____ Customer _____

Y/YY



4 poles



2 poles