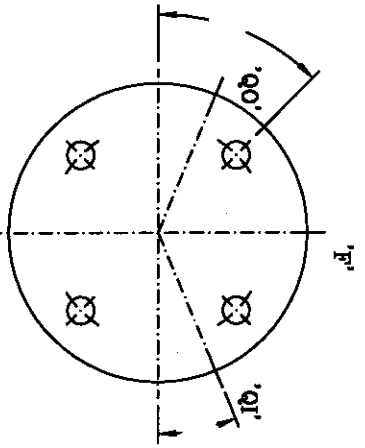


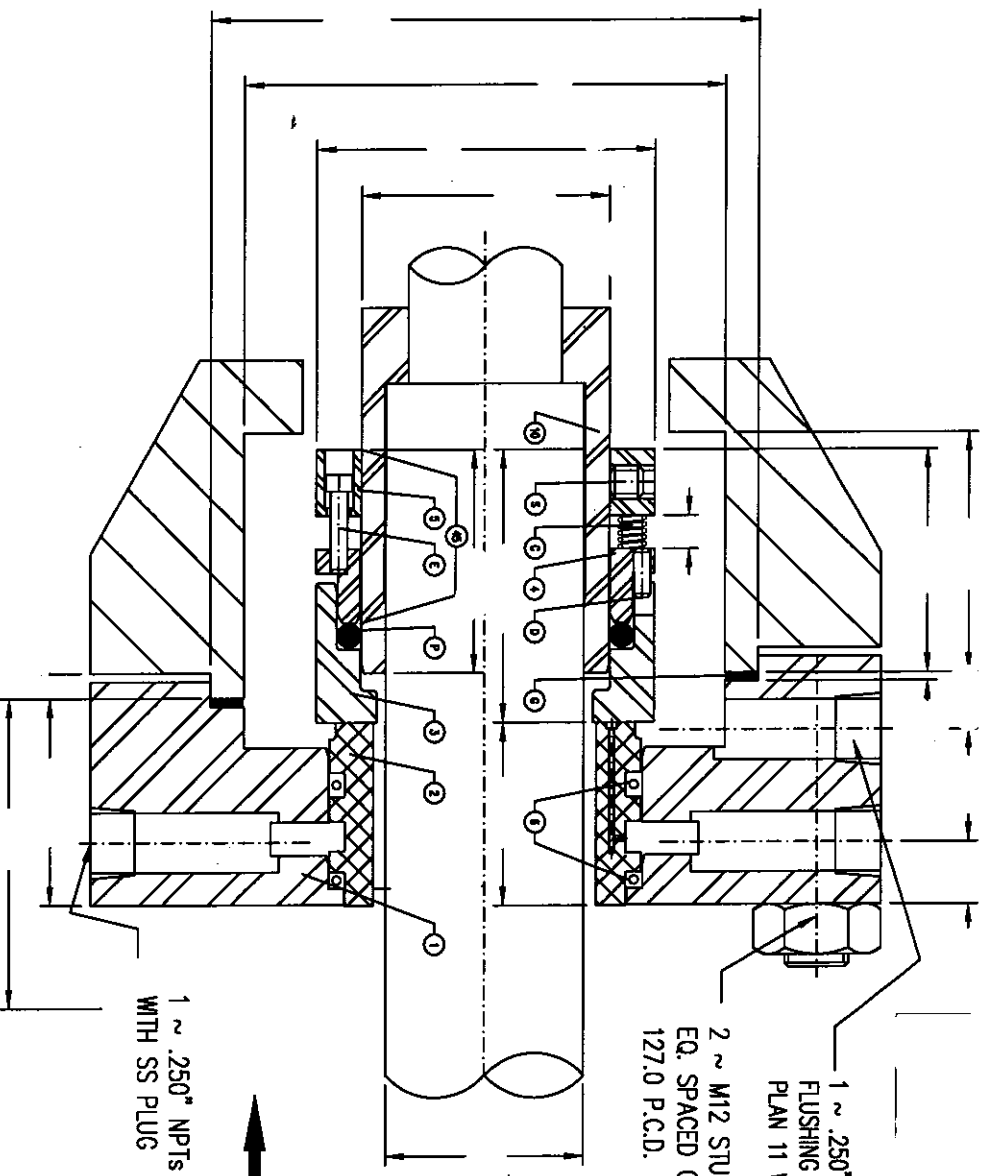
ENVIRONMENT CONTROL

A.P.I. PLAN	LUBRICATED INSERT	11
FLUSH FLUID	HYDRAULIC/ATMOSPHERIC GASOL.	PRODUCT FLUID
FLUSH PRESS.	ARGENT	TO DISCHARGE
FLUSH TEMP.	ARGENT	PRODUCT TEMP.
FLUSH RATE	DEAD END/DO	4 - 6 LPM



VIEW-X

7	PLUGS	
8	GLAND GASKET	
9	SLEEVE	
10	INSERT MFG.	
11	INSERT MFG.	
12	SET SCREW	
13	SPRING PIN	
14	DRIVE PIN	
15	SPRINGS	
16	COMP. RING	
17	COLLAR	
18	COMP. UNIT	
19	SEAL RING	
20	INSERT	
21	GLAND RING	
22	NOMENCLATURE	



1 ~ .250" NPT FOR FLUSHING AS PER API PLAN 11 WITH SS PLUG

2 ~ M12 STUDS EQ. SPACED ON 127.0 P.C.D.

1 ~ .250" NPTs WITH SS PLUG



DVCL No.:-
PIR NO.:-

ESI NO.:-
SSI NO.:-

BUYER:
USER :

PRODUCT: CO 2

SUCT. PRESS. 20.26 KG/99 CM.A.
DISCH. PRESS. 29 KG/99 CM.A.

TEMP. -20°C
SF. GR. 1.07

BOX PRESS. 20 KG/99 CM.A.

VISC. 0.07dP

VAP. PRESS. 20 KG/99 CM.A.

R.P.M. 2800

MATERIAL PART CODE QTY

REV.