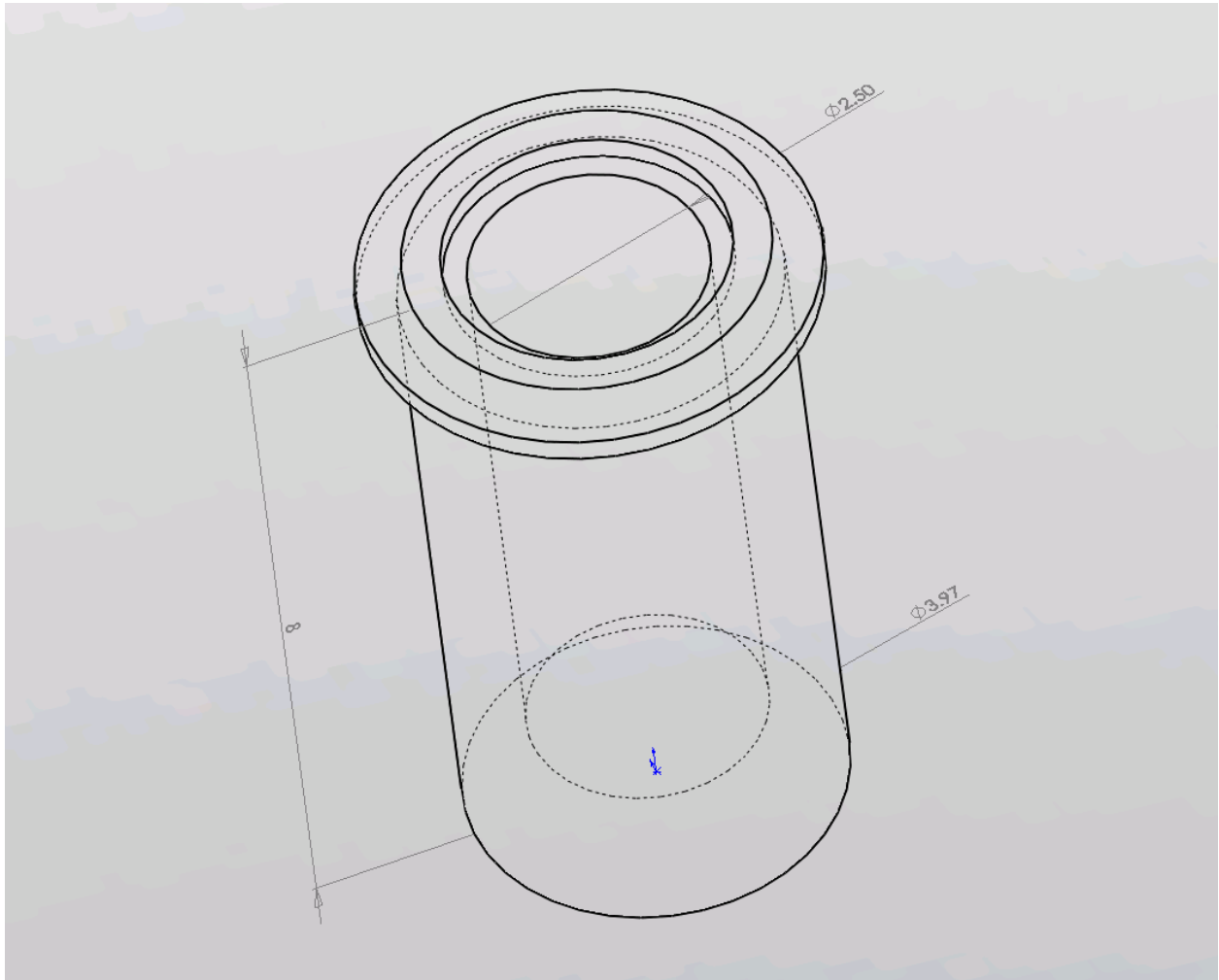


Mini Banana Jack

Material = Platted copper?

8mm long with ~2.5mm id for mini banana plug

End has spring soldered to it, may originally have had a different end connector.



Here it is with spring welded to bottom and sleeve.