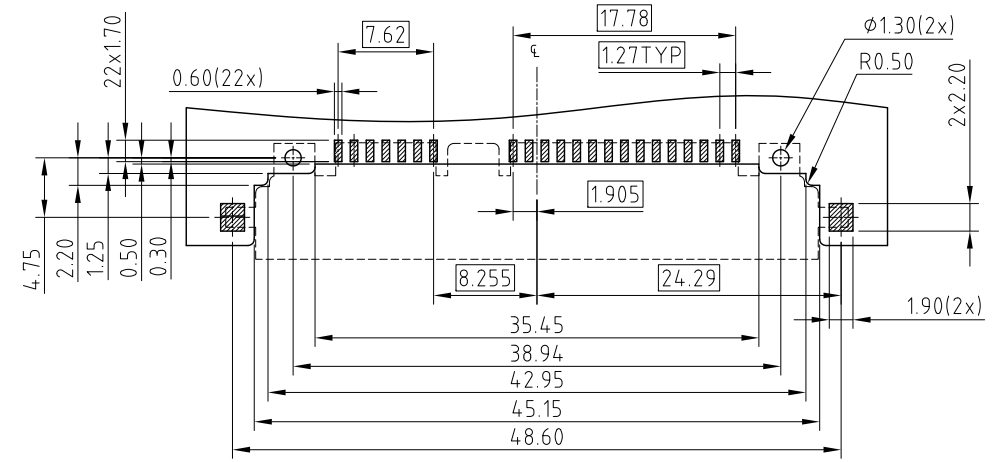
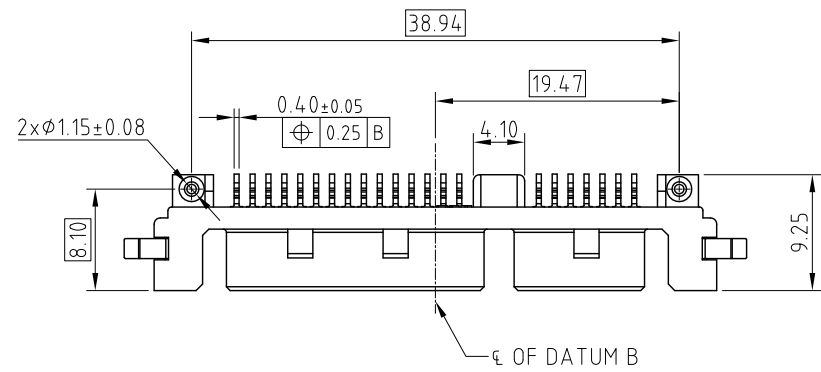


This document is the property of Amphenol Corporation and is delivered on the express condition that it is not to be disclosed, reproduced or used, in whole or in part, for manufacture or sale by anyone other than Amphenol Corporation without its prior consent, & that no right is granted to disclose or to use any information in this document.

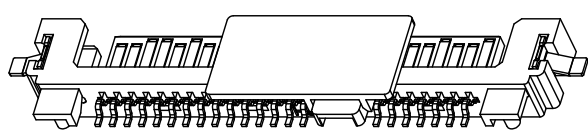
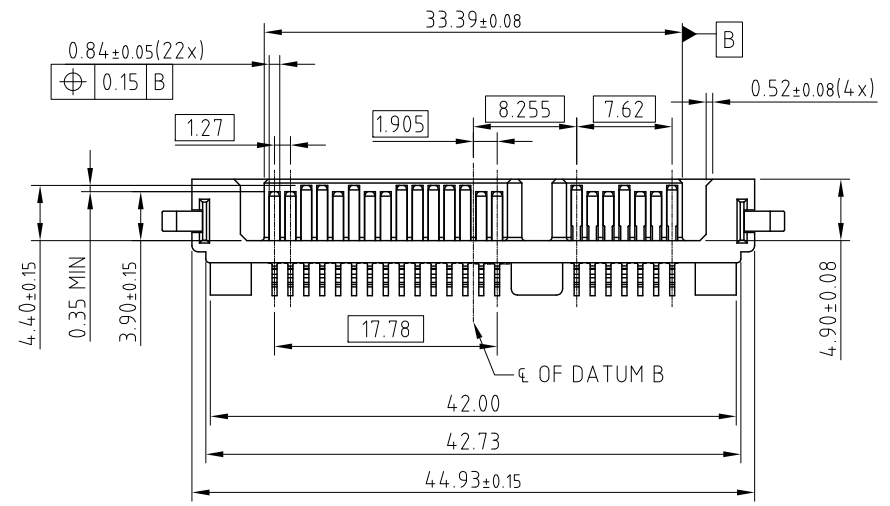
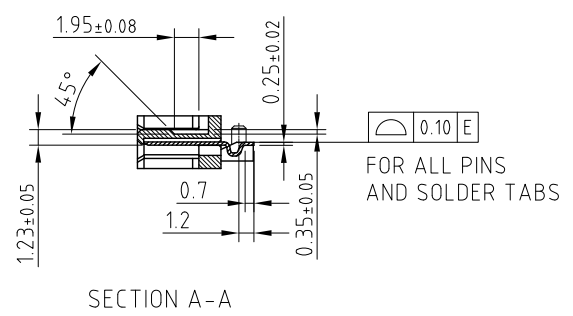
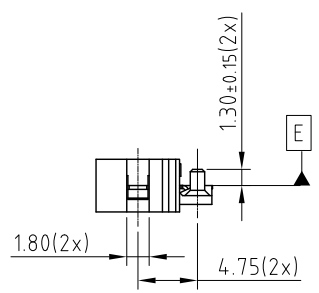
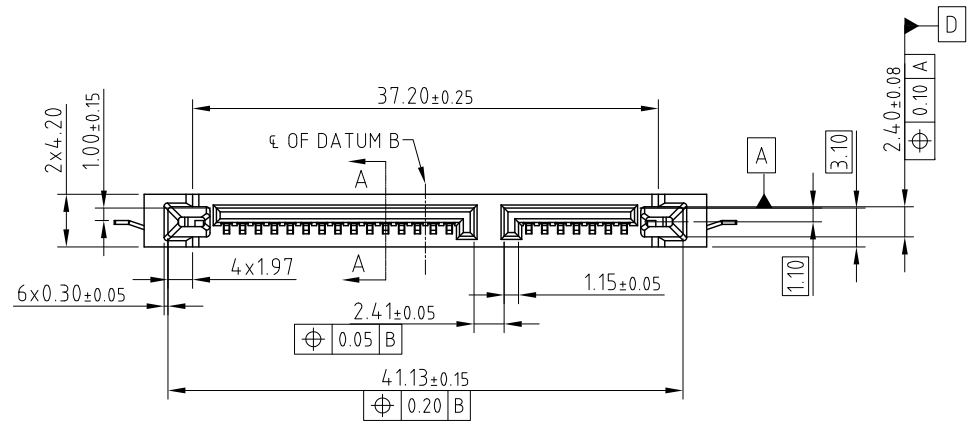
REVISIONS				
SYM	ECN	DESCRIPTION	DATE	APPROVED
1	CD----	RELEASE DRAWING	Apr.24,2017	YH



RECOMMENDED PCB LAYOUT  
GENERAL TOLERANCES: ±0.05mm

NOTES :

- MATERIAL:  
PLASTIC: HIGH THERMOPLASTIC, UL 94V-0, BLACK;  
CONTACT: COPPER ALLOY,  
LOCKING TAB: COPPER ALLOY,
  - FINISHED:
- |                                  | PLATING                  | UNDERPLATING      | OTHER AREA |
|----------------------------------|--------------------------|-------------------|------------|
| CONTACT MATING AREA (0.92mm MIN) | GOLD(REF P/N SYSTEM)     | NICKEL(127µm MIN) | NICKEL     |
| SOLDER TERMINATION AREA          | MATTE TIN(2.54µm~5.08µm) |                   |            |
| LOCKING TAB                      | MATTE TIN(2.54µm~5.08µm) |                   |            |
- ELECTRICAL PERFORMANCE:  
3.1 CURRENT RATING: 1.5A  
3.2 DIELECTRIC STRENGTH: 500V FOR 1 MINUTE  
3.3 INSULATION RESISTANCE: 1000MΩ  
3.4 OPERATION TEMPERATURE: -40°C TO +85°C
  - ORDER P/N SYSTEM: SATA0010070X  
GOLD PLATING ON MATING AREA:  
1: 0.76 µM MIN GOLD PLATING  
2: 0.38 µM MIN GOLD PLATING  
3: GOLD FLASH
  - PACKING IN TAPE AND REEL
  - DIMENSIONING SHALL BE INTERPRETED PER ASME Y14.5M 1994
  - MATERIAL SHOULD BE FULFILLED AMPHENOL SPEC # S-SN-002, FOR HALOGEN FREE PRODUCTS, ALSO NEED TO MEET S-SN-004



WITH PICK-UP CAP

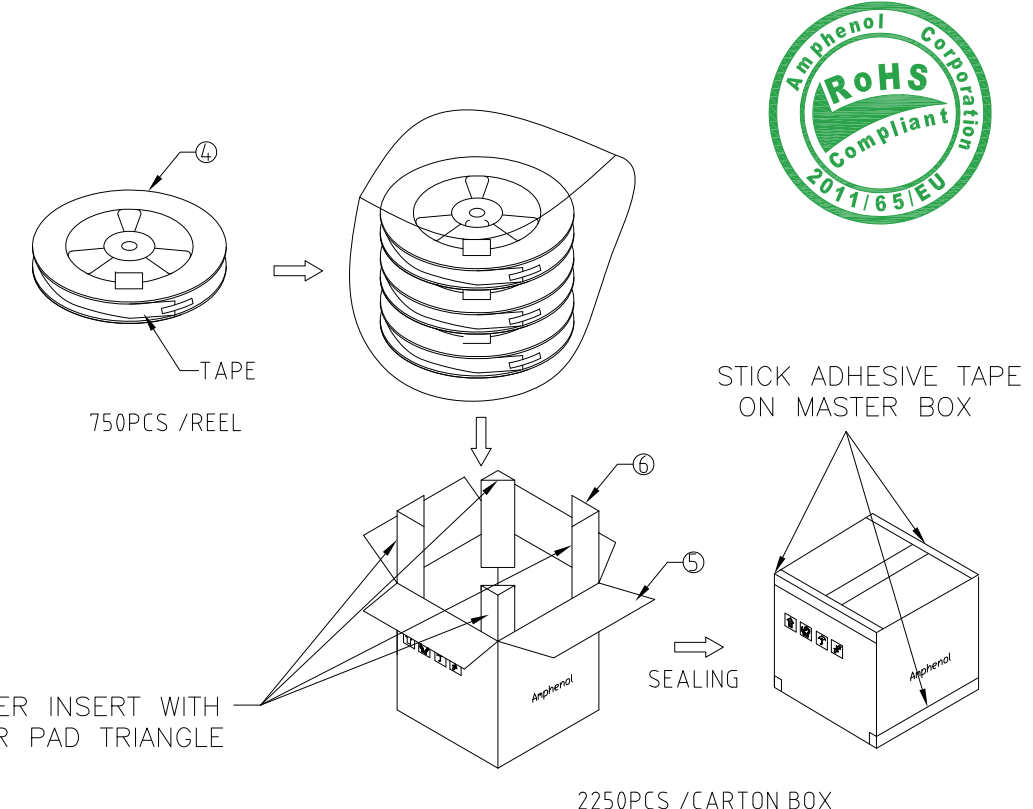
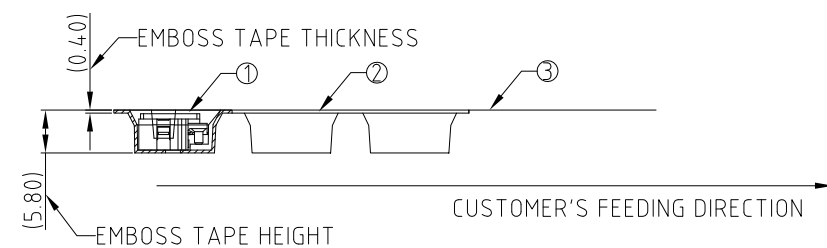
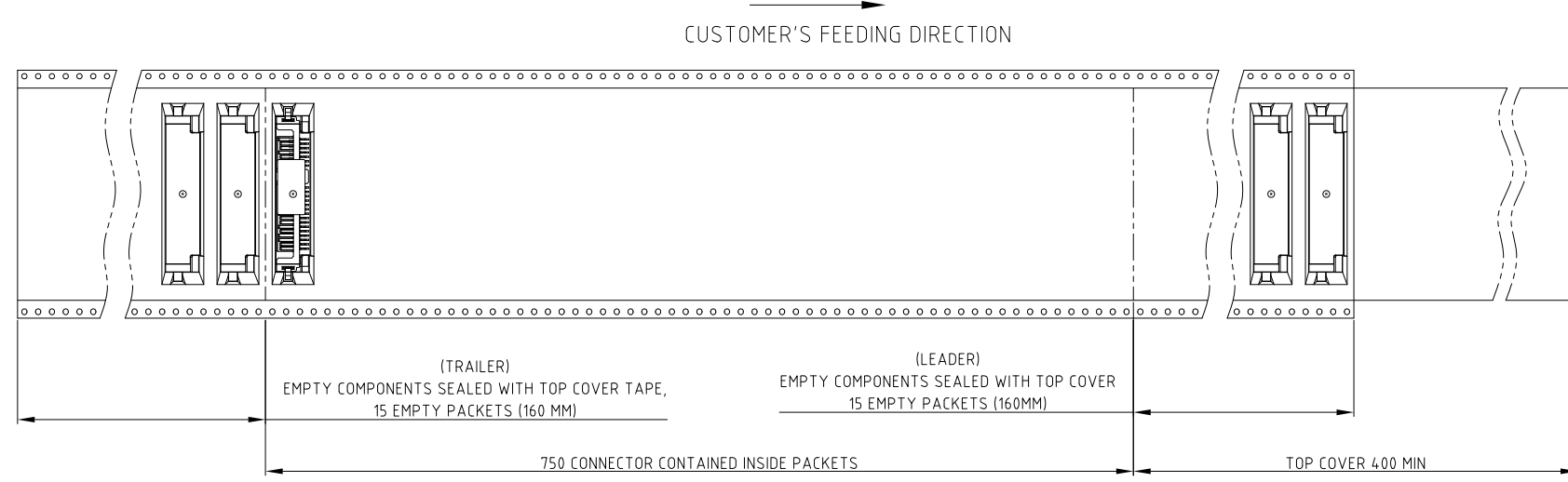
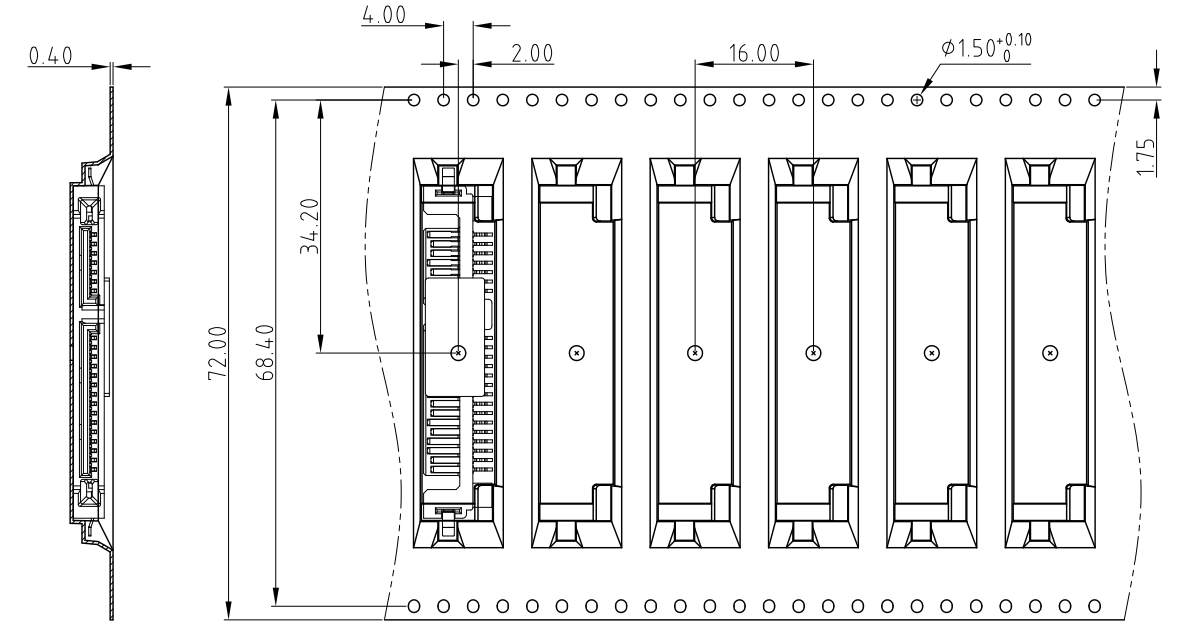
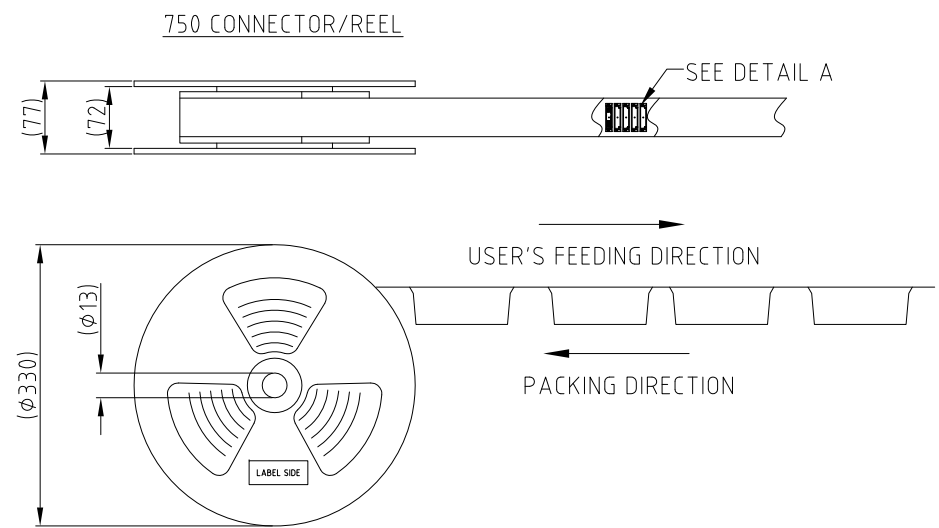
PROPOSED DRAWING

UNLESS OTHERWISE SPECIFIED TOLERANCES U.S. METRIC 0.0 +/- 0.50 0.00 +/- 0.25 0.000 +/- FRACTIONS +/- ANGLES +/- 5°	APPROVAL	DATE	Amphenol
	DRAWN Yunx.llu	Apr.24,2017	
FOR MATERIALS AND FINISHES SEE NOTES	CHECKED Ly.yl	Apr.24,2017	TITLE
REMOVE SHARP EDGES	CHECKED		CUSTOMER DRAWING FOR 6G SATA COMBO R/A PLUG
DIMENSIONS	DRAWING FILE :		SIZE
U.S. INCHES	INTERNAL\DRAWING\SATA\CSATA0010070X		A3
(METRIC) (MM)	ANGLE OF PROJECTION		DRAWING NO.
			C SATA0010070X
			REV.
			1
			SCALE
			N/A
			SHEET 1 OF 1

This document is the property of Amphenol Corporation and is delivered on the express condition that it is not to be disclosed, reproduced or used, in whole or in part, for manufacture or sale by anyone other than Amphenol Corporation without its prior consent, & that no right is granted to disclose or to use any information in this document.

# CUSTOMER DRAWING

REVISIONS				
SYM	ECN	DESCRIPTION	DATE	APPROVED
		SEE SHEET 1		



THIS PAGE FOR REFERENCE ONLY

ITEM	DESCRIPTION	MATERIAL
6	PAPER PAD TRIANGLE	CORRUGATED FIBERBOARD
5	MASTER BOX	CORRUGATED FIBERBOARD
4	PP REEL	PP
3	TOP COVER TAPE	PET
2	EMBOSS TAPE	POLYSTYRENE
1	CONNECTOR	

PROPOSAL DRAWING

UNLESS OTHERWISE SPECIFIED <b>TOLERANCES</b> U.S. METRIC .X +/- 0.50 .XX +/- 0.25 .XXX +/- FRACTIONS +/- ANGLES +/- 5° FOR MATERIALS AND FINISHES SEE NOTES REMOVE SHARP EDGES DIMENSIONS U.S. INCHES (METRIC) (MM)	APPROVAL		DATE
	DRAWN	Yunx.liu	Apr.24,2017
	CHECKED	Ly.yi	Apr.24,2017
	APPROVED		
DRAWING FILE :		INTERNAL\DRAWING\SATA\CSATA0010070X	
ANGLE OF PROJECTION			

TITLE		
CUSTOMER DRAWING FOR		
6G SATA R/A SMT PLUG CONNECTOR		
SIZE	DRAWING NO.	REV.
A3	C SATA000070X	1
SCALE	NONE	SHEET 2 OF 2