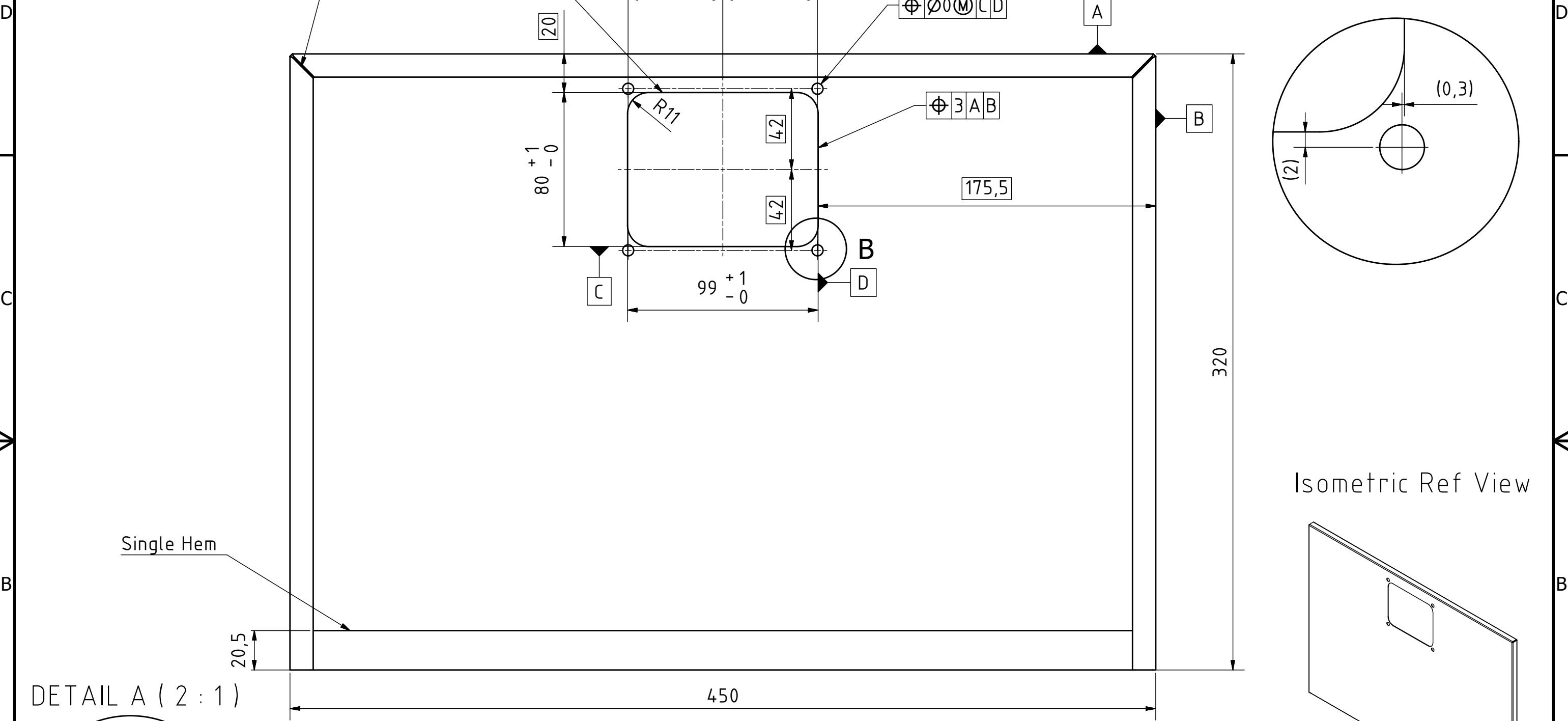


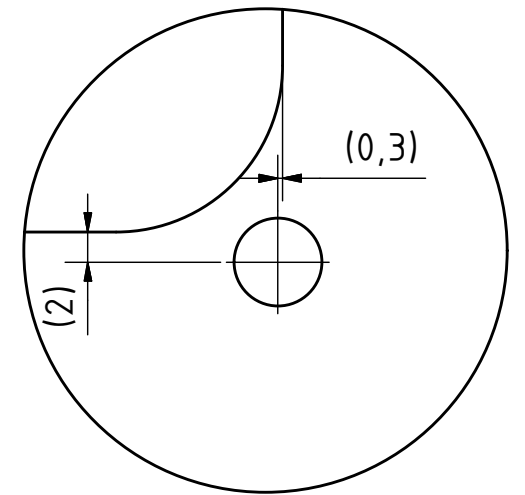
Part No: 10-004

### VIEW1 ( 1 : 2 ) BACK

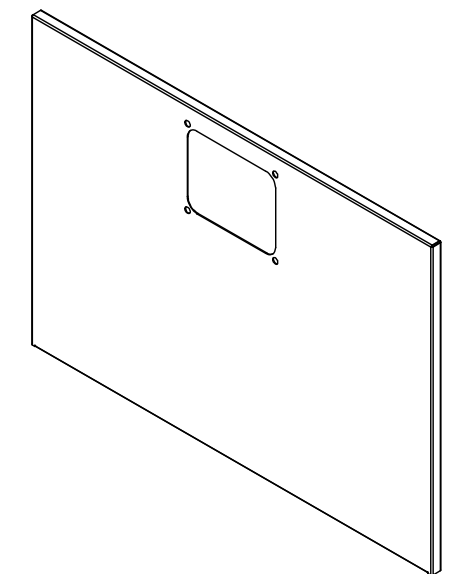
WELD BOTH CORNERS



### DETAIL B ( 2 : 1 )



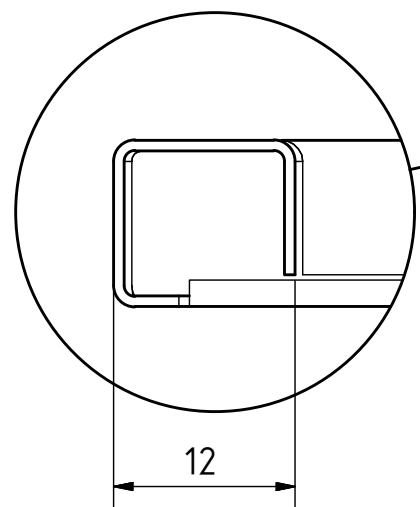
### Isometric Ref View



Single Hem

20,5

### DETAIL A ( 2 : 1 )



450

320

Material Thickness: Gauge 22 (0.7mm)

**Notes**  
 Remove all burrs and sharp edges  
 Unless otherwise specified;  
 Dimensions in millimetres (mm)  
 Tolerances: Linear  $\pm 0.5$  Angular  $\pm 2^\circ$   
 All Bends  $90^\circ$ , all Hems  $180^\circ$

DESIGNED BY:		
DRAWN BY:		
CHECKED BY:	NAME	DATE
APPROVED BY:		
DESIGN STATE:	WorkInProgress	
MATERIAL:	Steel, Mild	
FINISH:	Powder Coat	

TITLE:		Door	
		Folded Part	
DRAWING NO:		10003	
PART NO:		10-004	Drawing to BS8888
DATE OF ISSUE:		SCALE: 1:2	A3 SHEET NO: 1 of 1