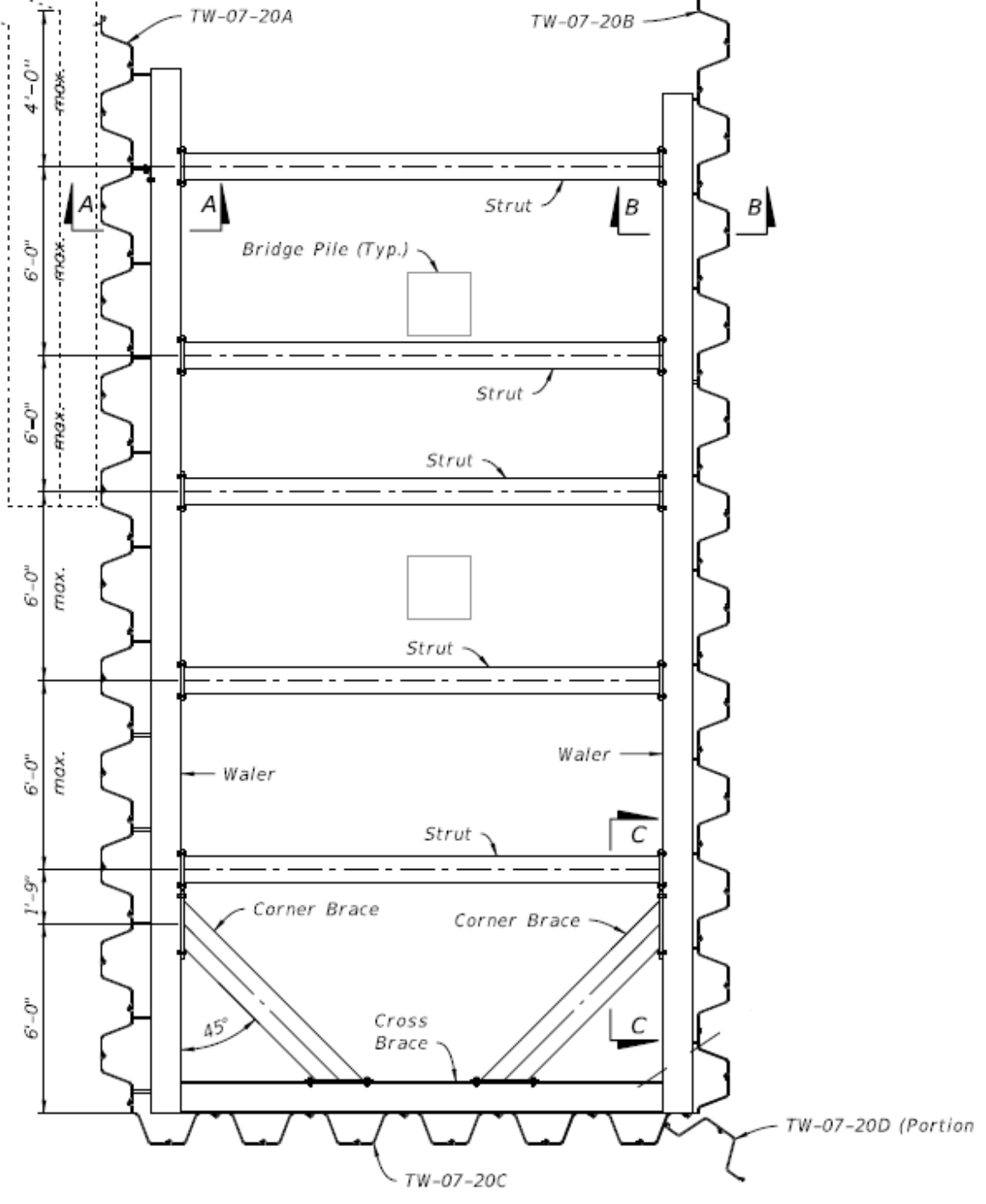
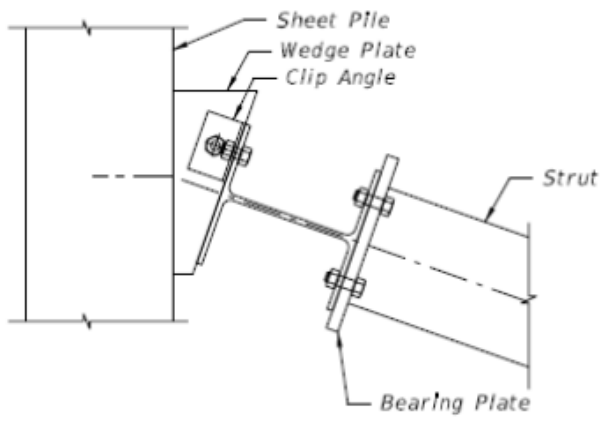
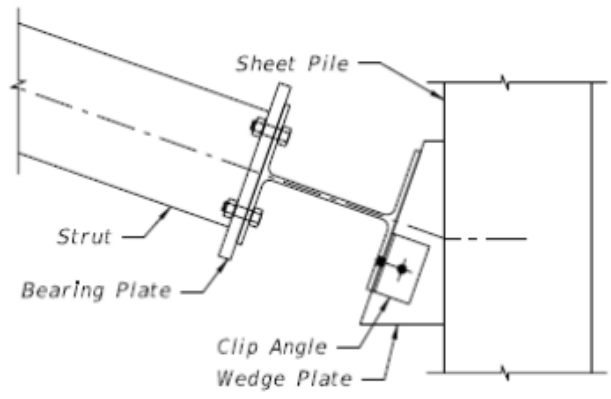


Front Face of Backwall Existing Bridge

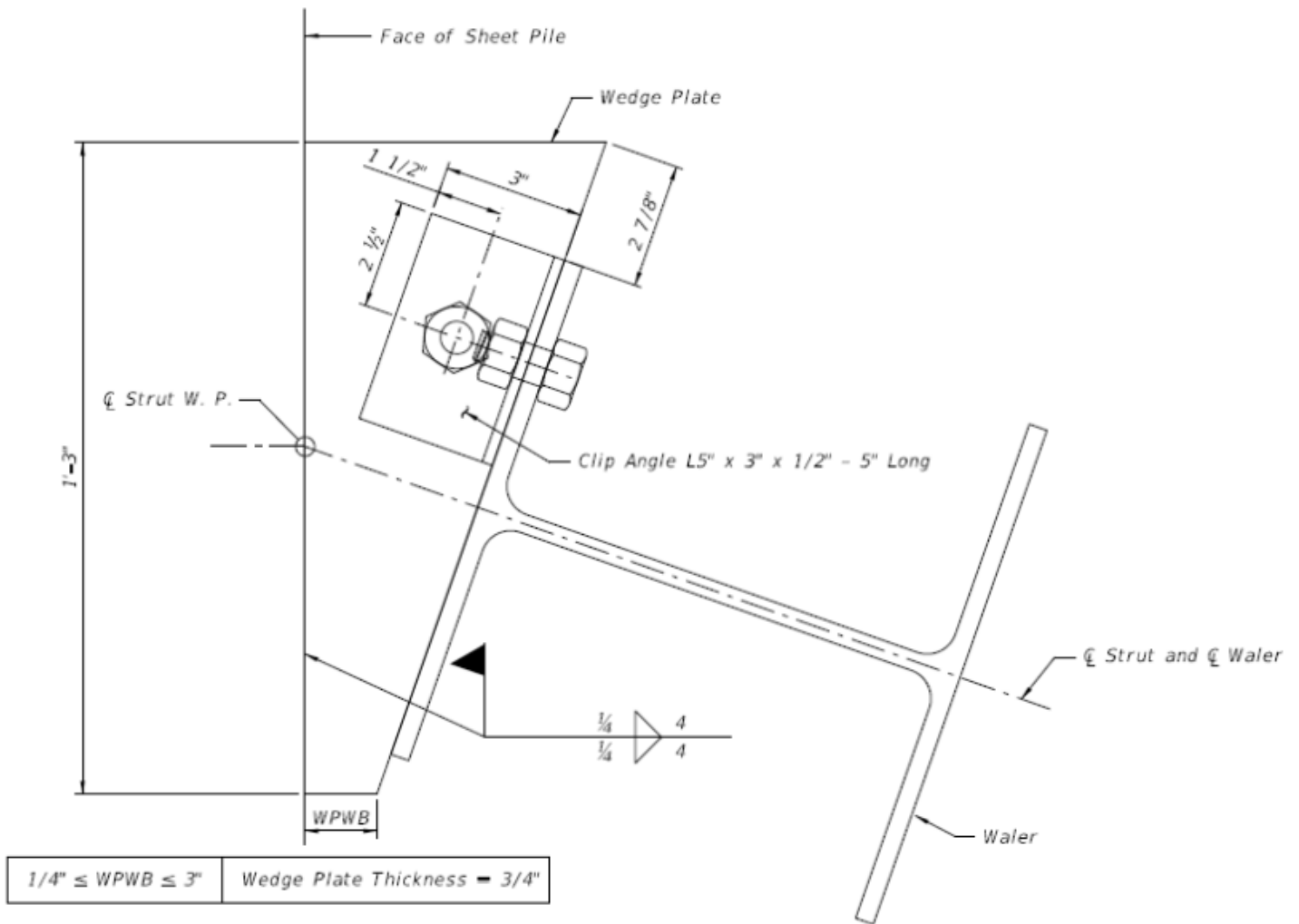




SECTION A-A



SECTION B-B



WEDGE PLATE CONNECTION DETAIL