

FIG. 5-3 POSITIONAL TOLERANCING RELATIVE TO PLANE DATUM FEATURE SURFACES

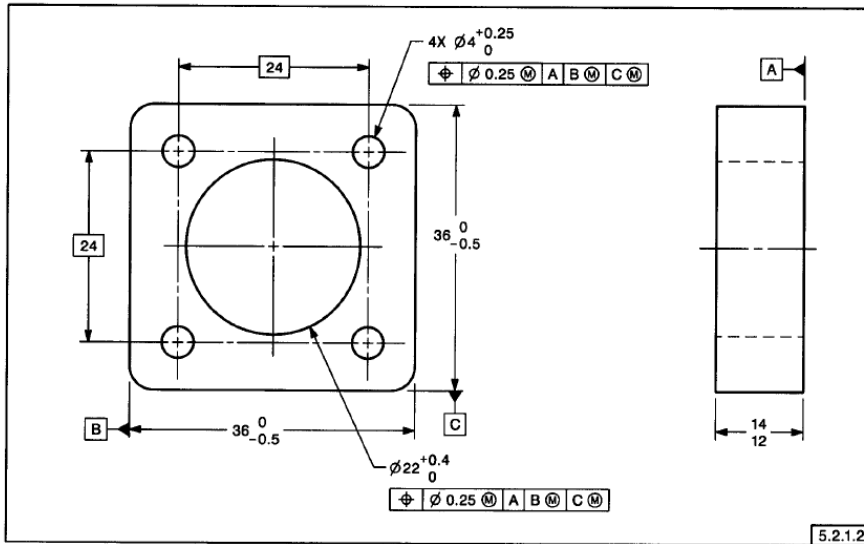


FIG. 5-4 POSITIONAL TOLERANCING AT MMC RELATIVE TO DATUM FEATURE CENTER PLANES