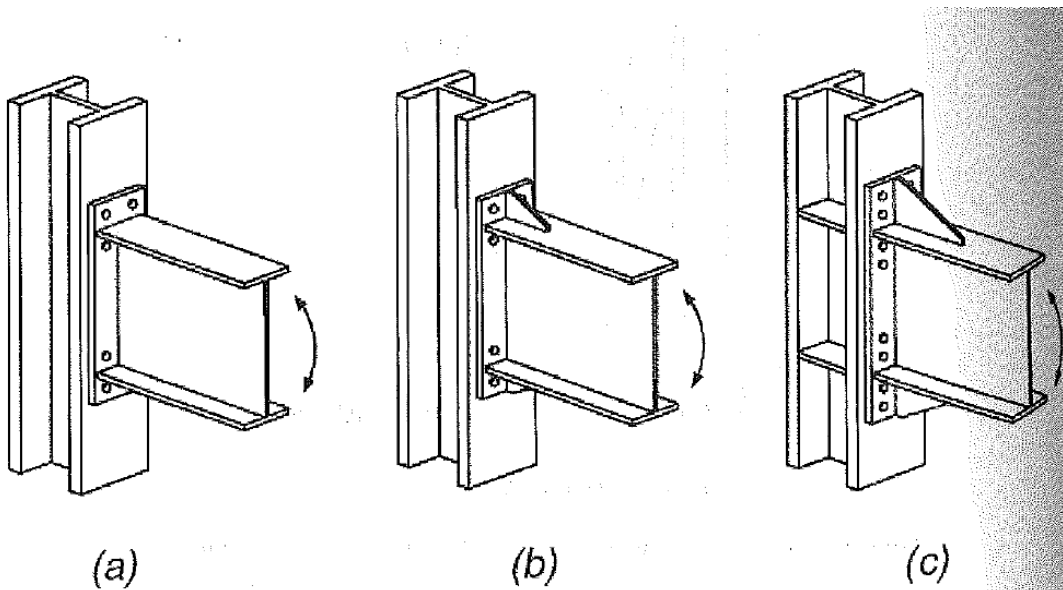


*(b) Column web support, bolted flange plates*



*Figure 12-6. Configurations of extended end-plate FR moment connections.*