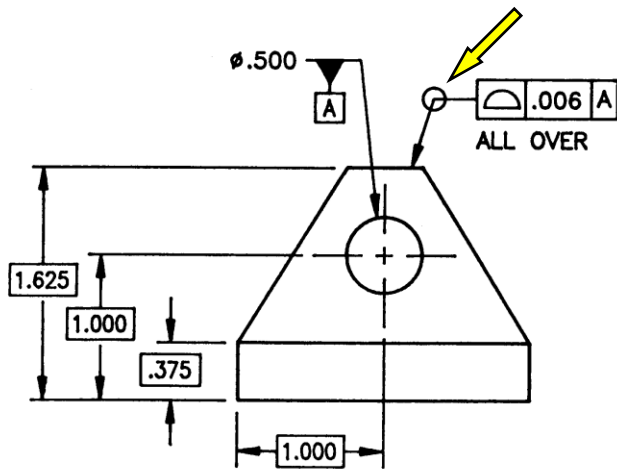


Per ASME Y14.5 1994 Standard, which one is correct for the all over callout? (with or without the small circle at the junction of the leader line from FCF)



or

