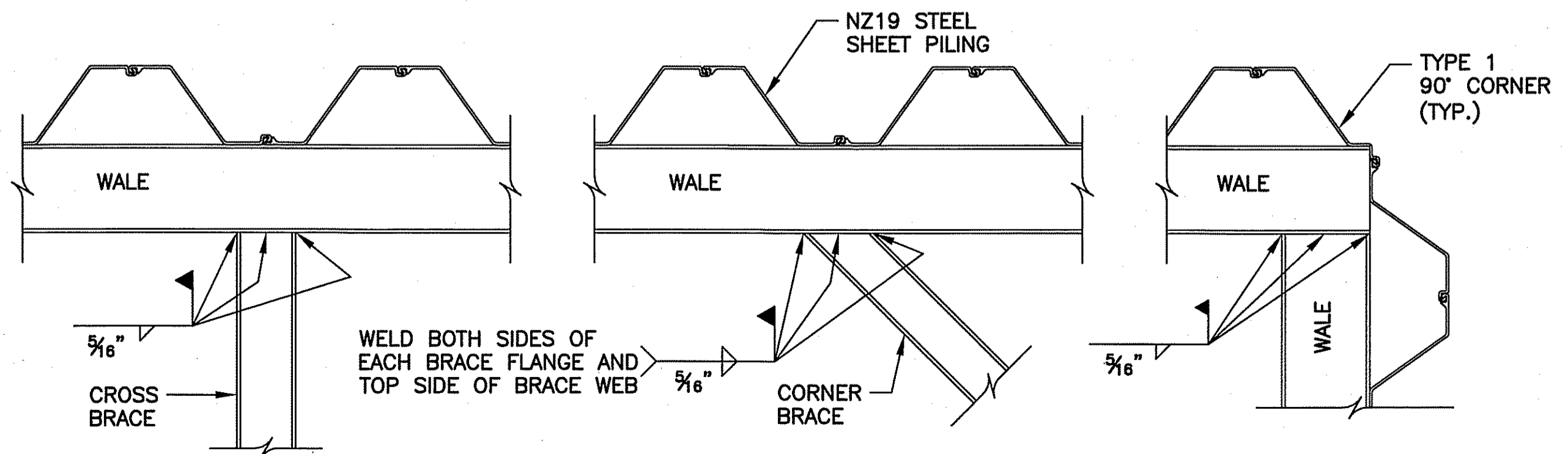


SECTION A-A
SCALE: $\frac{3}{16}" = 1'-0"$



WELD DETAILS
NOT TO SCALE