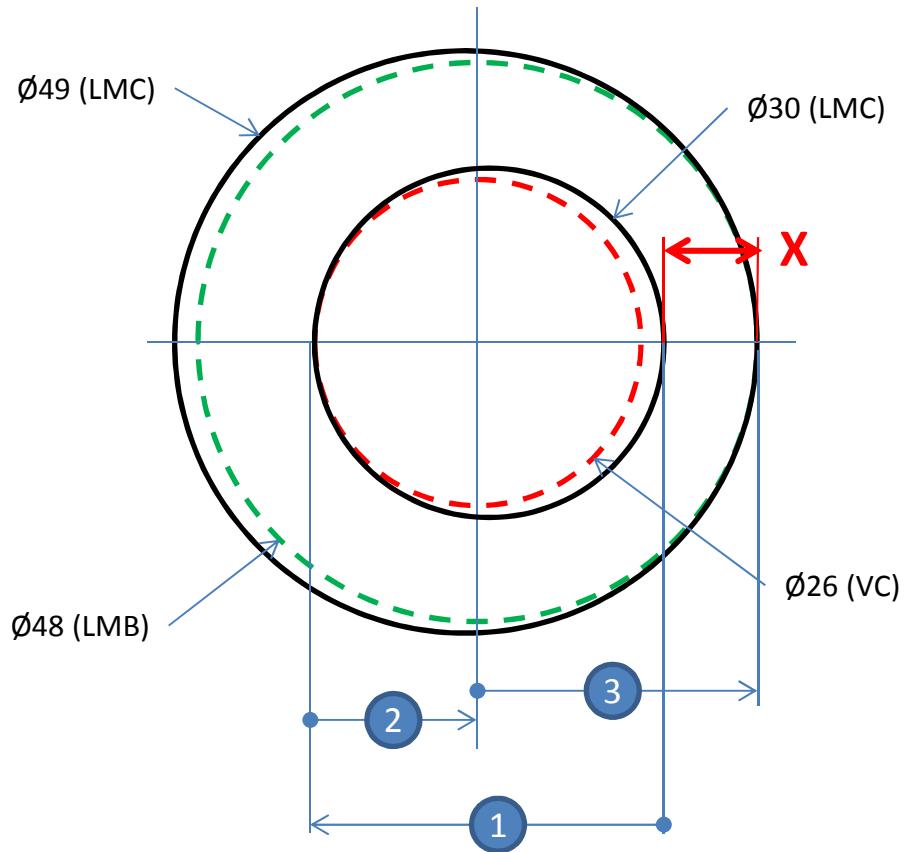


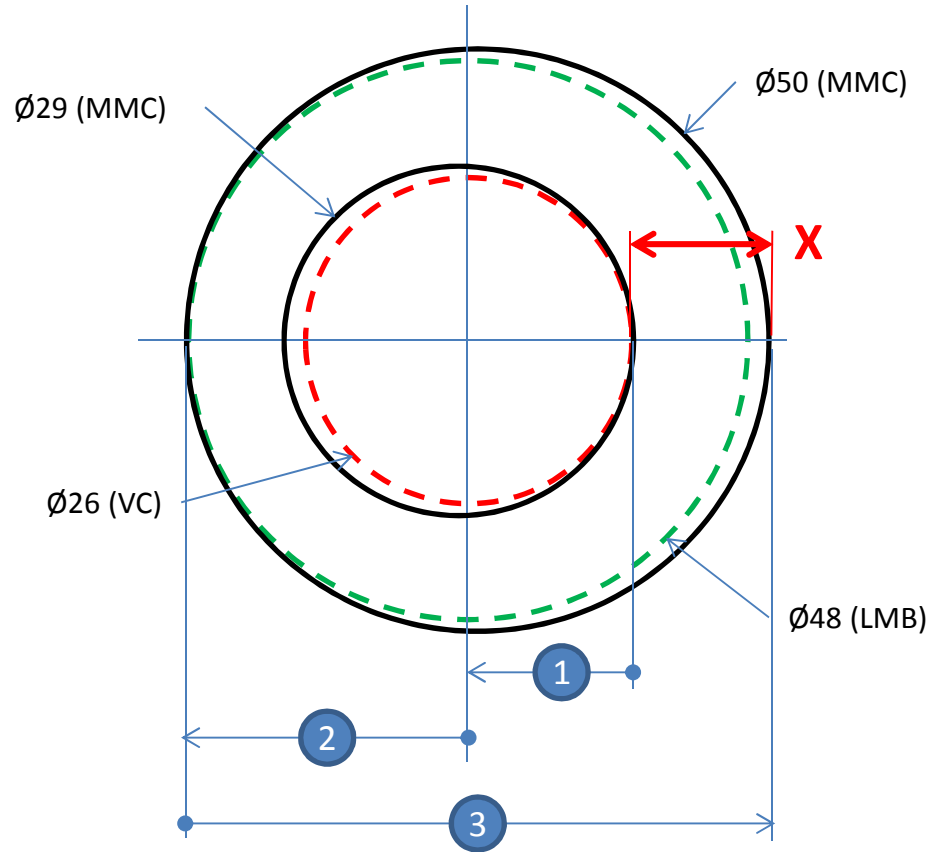


MINIMUM

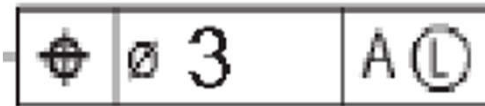


$$X = -(1) + (2) + (3) = -30 + 26/2 + 48/2 = 7$$

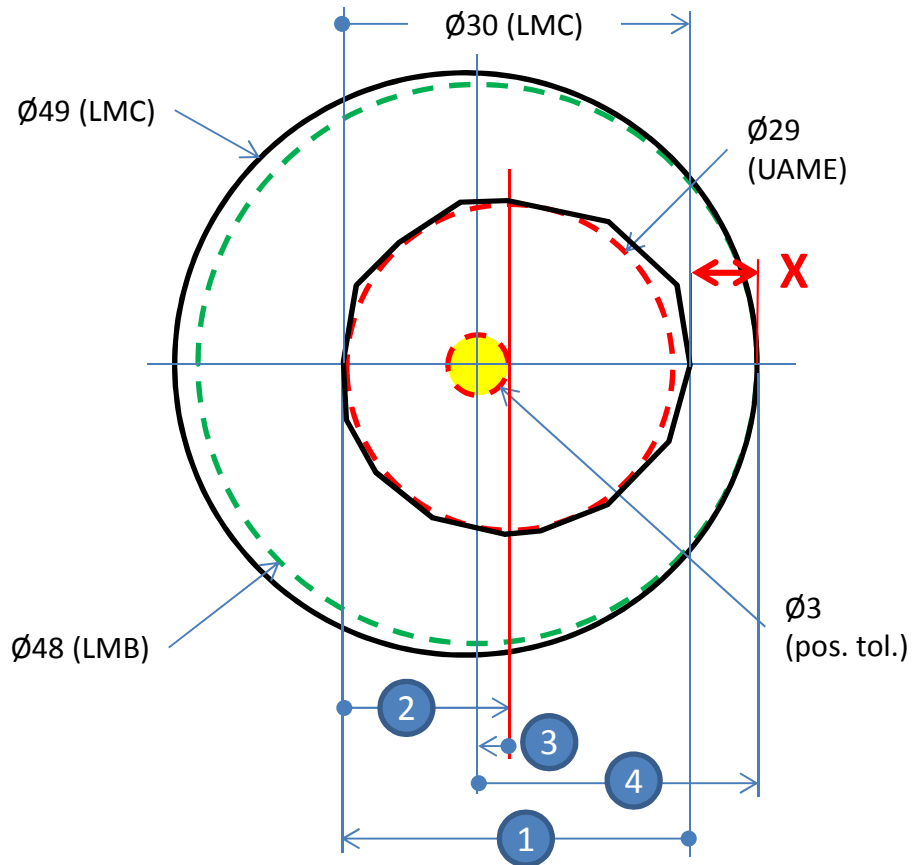
MAXIMUM



$$X = -(1) - (2) + (3) = -26/2 - 48/2 + 50 = 13$$

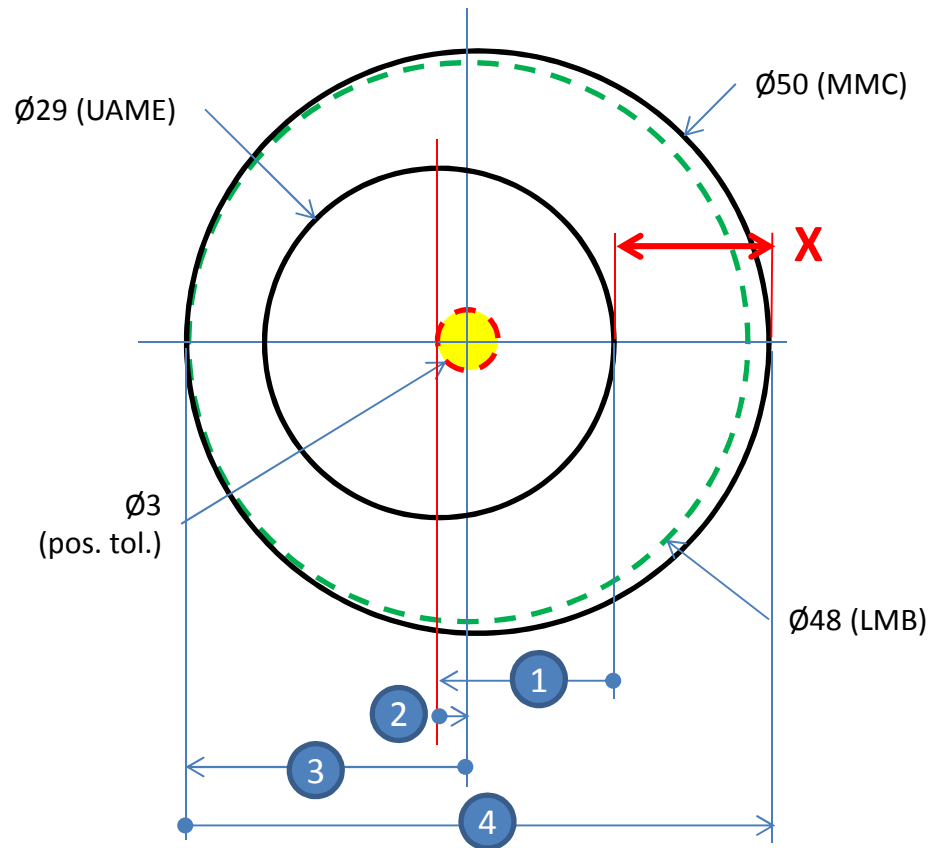


MINIMUM



$$X = -(1) + (2) - (3) + (4) = -30 + 29/2 - 3/2 + 48/2 = 7$$

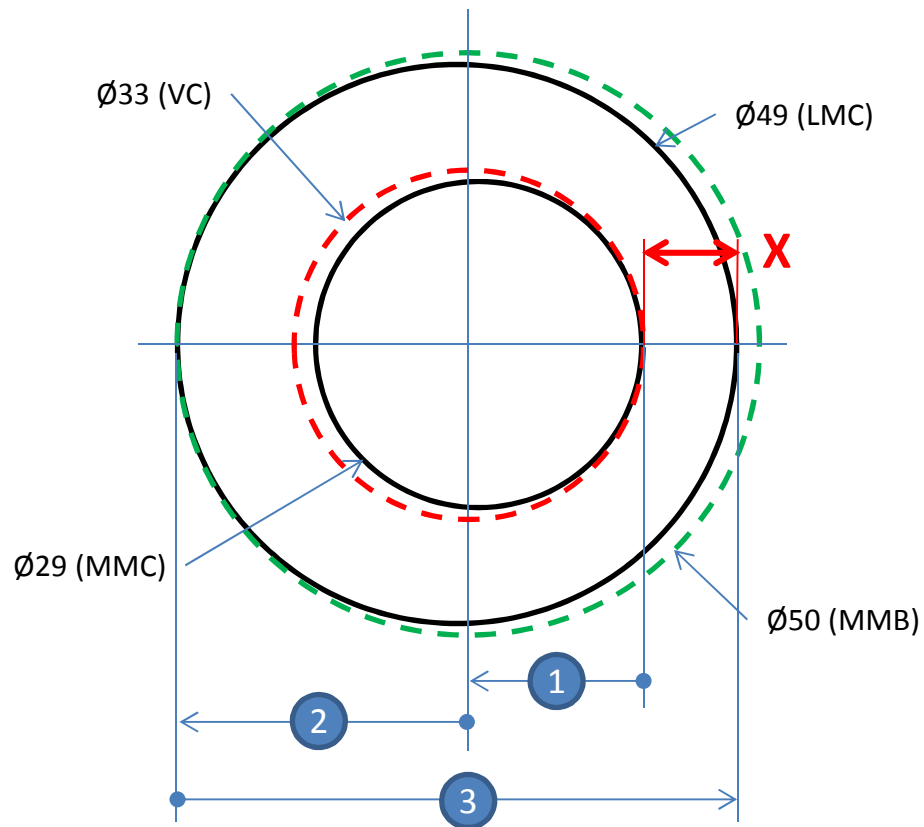
MAXIMUM



$$X = -(1) + (2) - (3) + (4) = -29/2 + 3/2 - 48/2 + 50 = 13$$

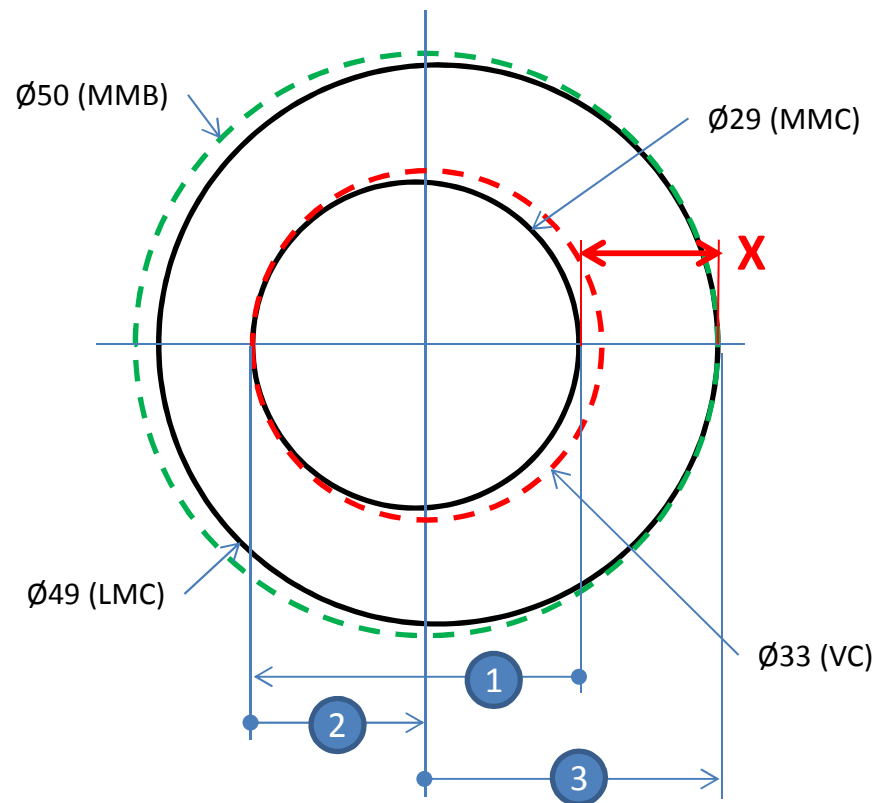


MINIMUM



$$X = -(1) - (2) + (3) = -33/2 - 50/2 + 49 = 7.5$$

MAXIMUM



$$X = -(1) + (2) + (3) = -29 + 33/2 + 50/2 = 12.5$$