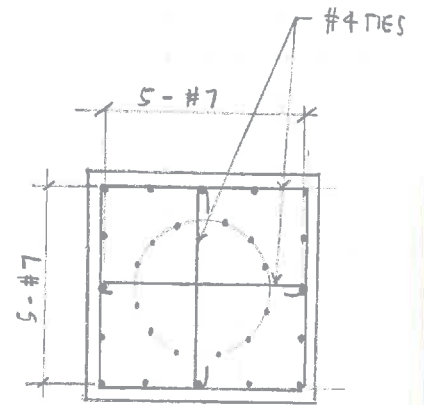
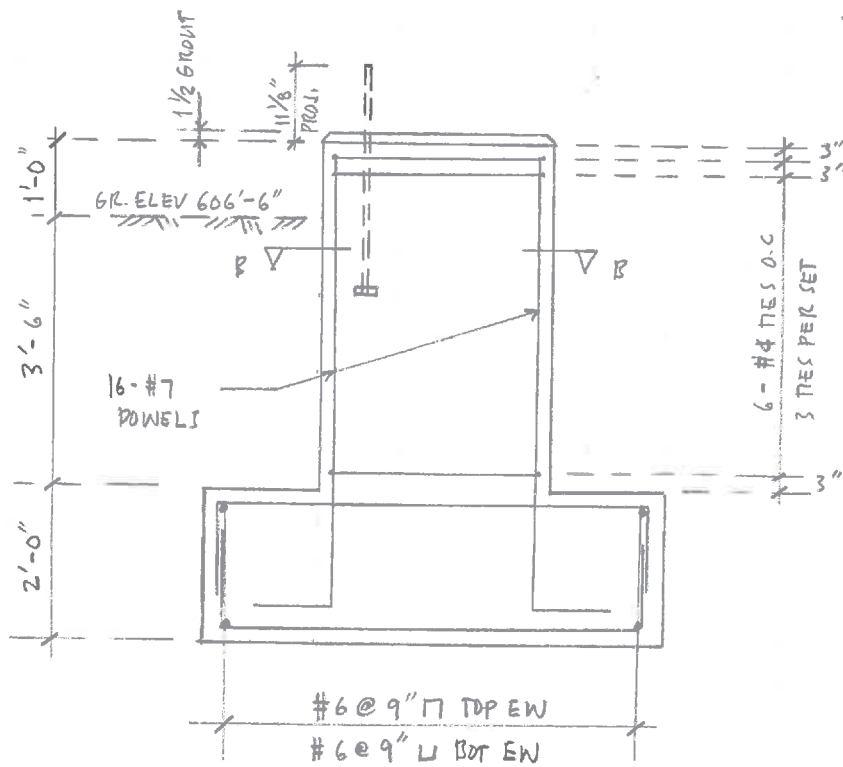


12 - 1/8" DIA HQB ON 18 3/4" BOLT CIRCLE DIA



STANDBY GENERATOR STACK FOUNDATION PLAN

SECTION B-B



SECTION A-A