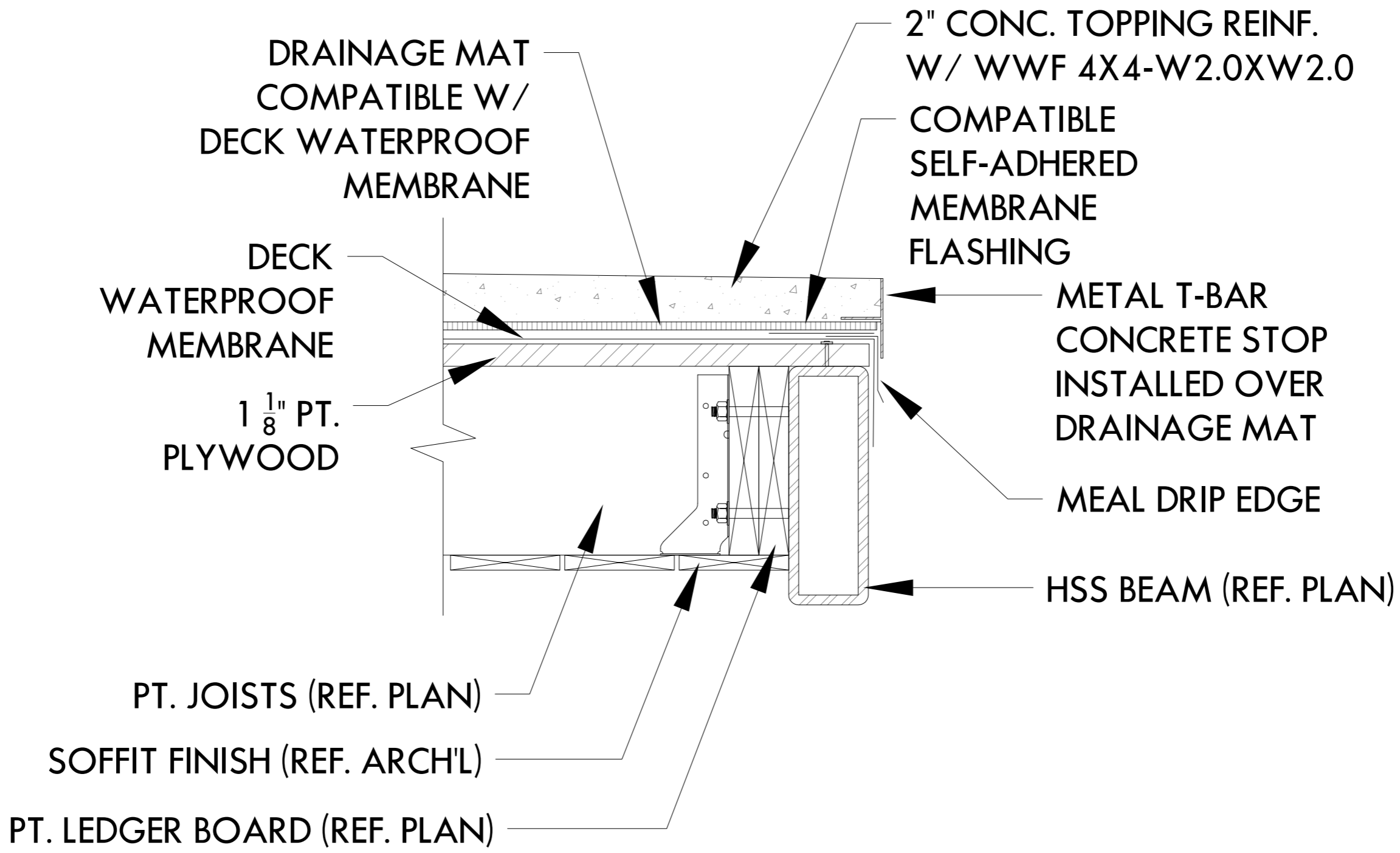


SLOPE $\frac{1}{4}$ " / FT MIN.



3 SECTION
SCALE: $\frac{3}{4}$ " = 1'-0"