

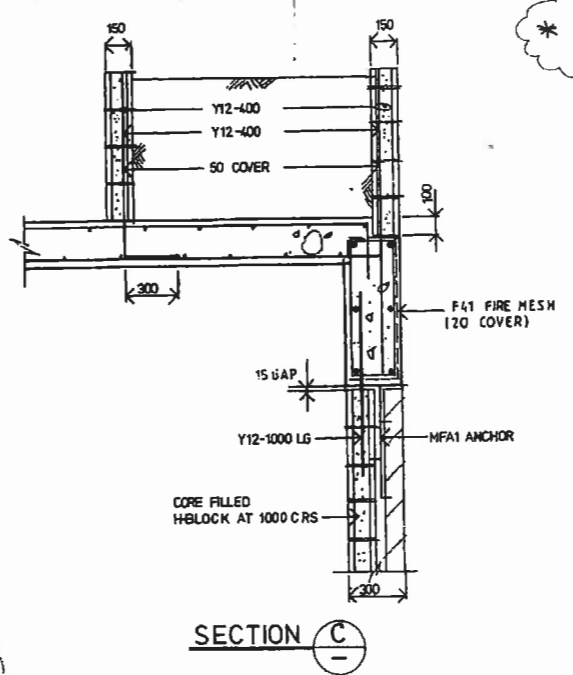
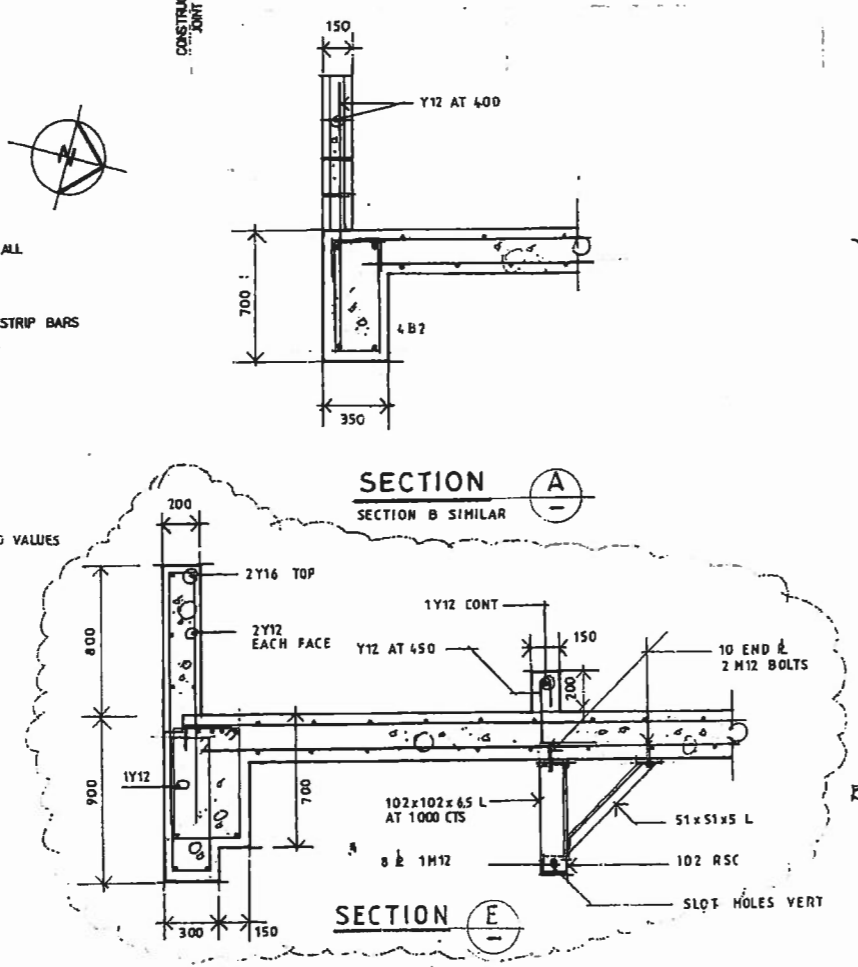
LEVEL 4 BTM REINFT. PLAN

notes

- SLAB THICKNESS TO BE 250 mm (UNQ). DROP PANELS TO BE 400 mm OVER ALL DEPTH (UNQ). SLAB BEAMS TO BE 400 mm DEEP (UNQ).
- CAST SLAB IN GRADE 25 CONCRETE
- PROVIDE 20 CLEAR COVER TO ALL SLAB REINFORCEMENT
- COLUMN STRIP BARS OUTSIDE PANELS TO BE SAME LENGTH AS MIDDLE STRIP BARS
- DIMENSION SHOWN ABOVE ARE DROP PANEL DIMENSIONS.
- LOAD BEARING COLUMNS AND WALLS SHOWN SHADED.
- BAR LAYING SEQUENCE



- INDICATES COMPACTUS AREA.
- PROVIDE CAMBER TO TOP & BTM OF SLAB AT MID SPAN TO VALUES NOTED THUS ± 25 ON DRG N° 547



* INDICATES AMENDMENTS 'D' ON PLAN