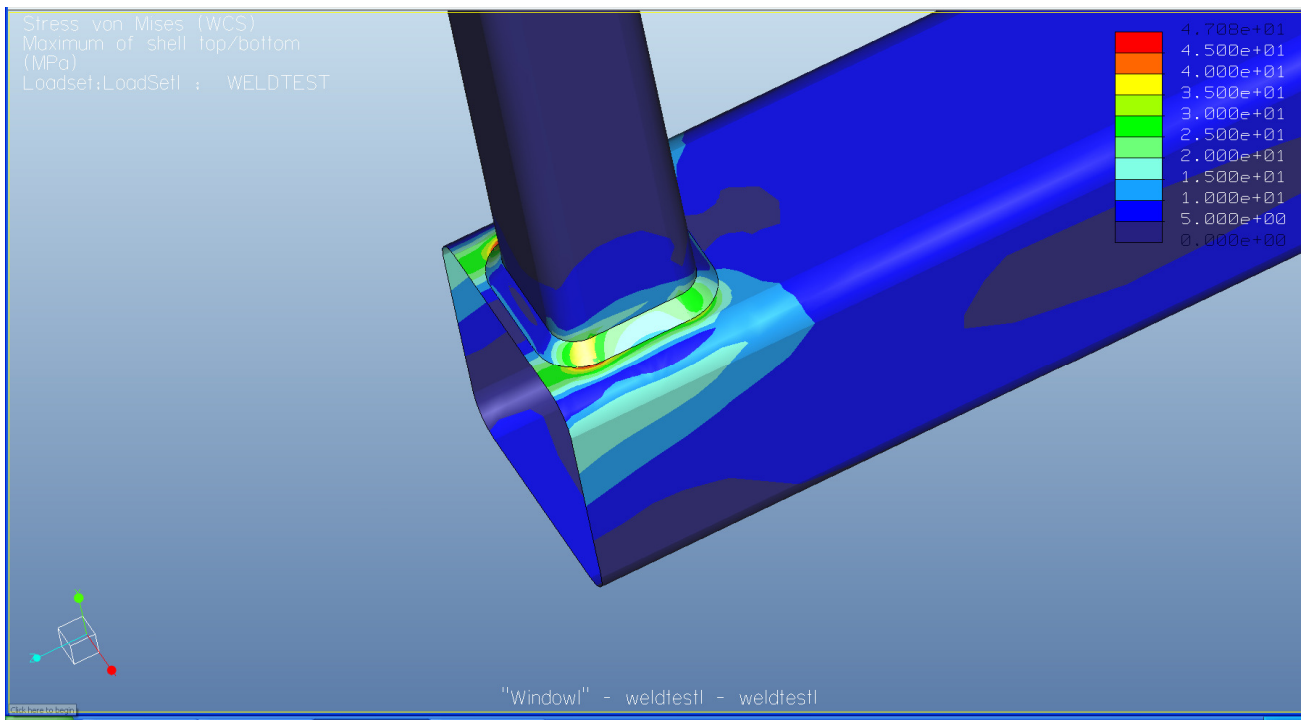
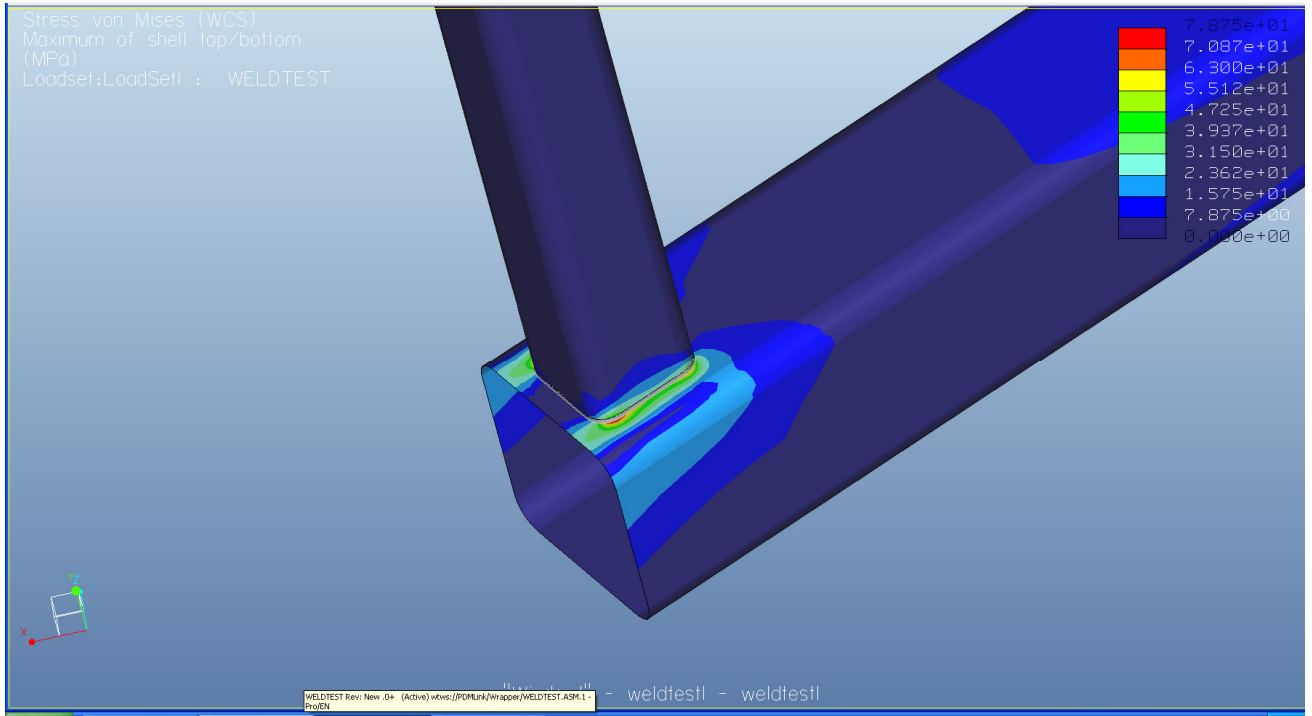


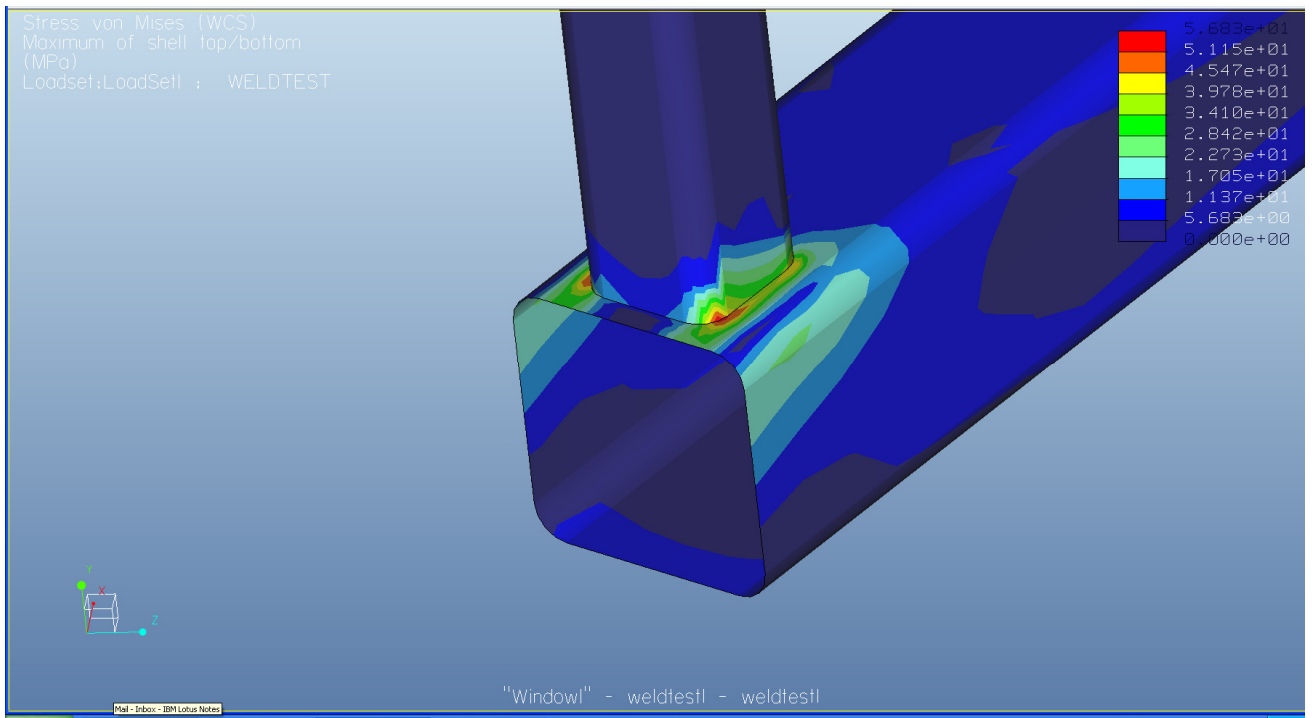
Weld + mesh control 5mm



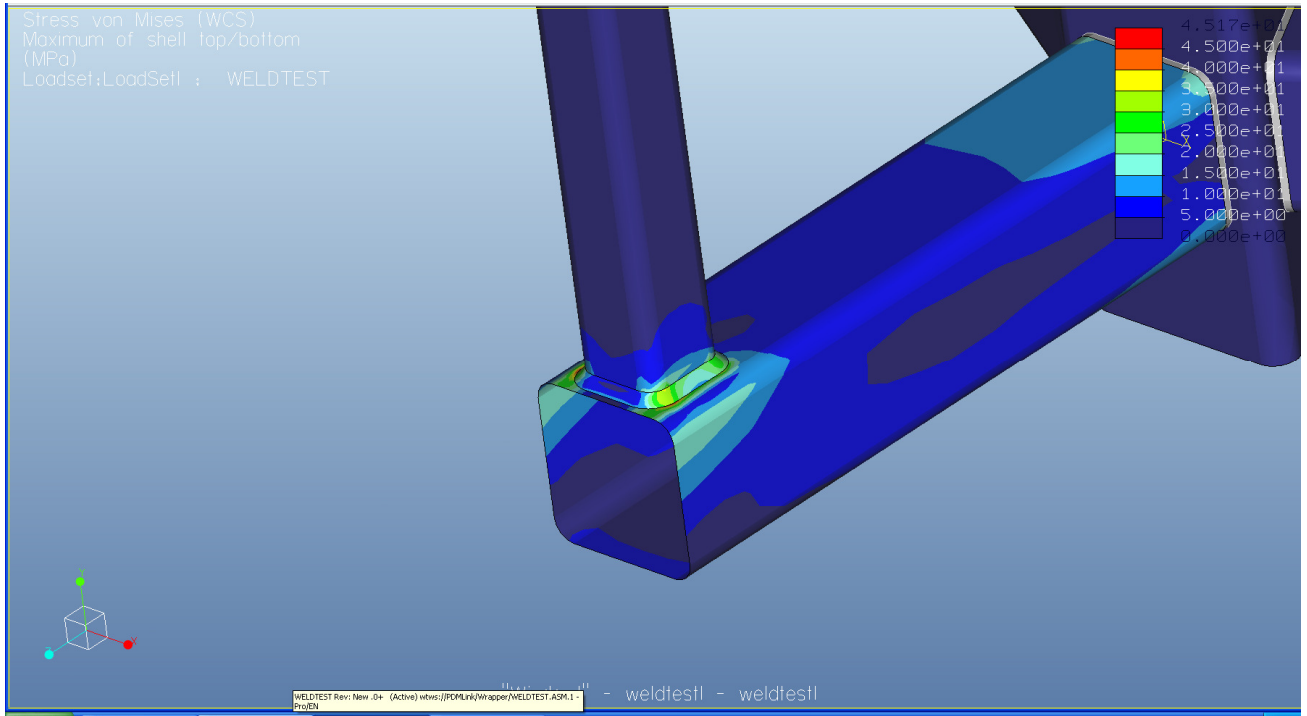
Feature weld + mesh control 5mm



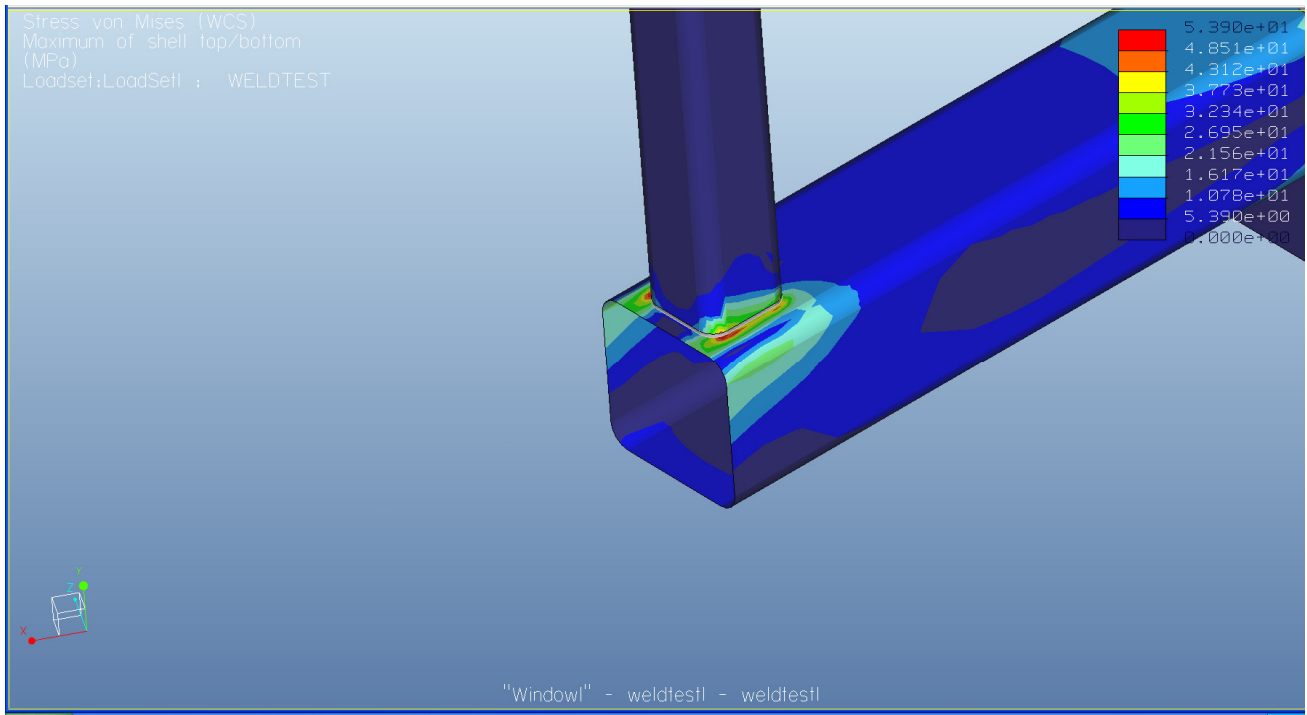
Bonded + mesh control 5mm



Weld without mesh control



Feature weld without mesh control



Bonded without mesh control

	Mesh control	Normal Mesh	Mesh control / mesh	Weld comparison with Mesh control	Weld comparison without Mesh control
End weld	77.25	56.83	26%	-	-
Bonded	78.75	53.90	32%	-2%	5%
Feature weld	47.08	45.17	4%	40%	16%