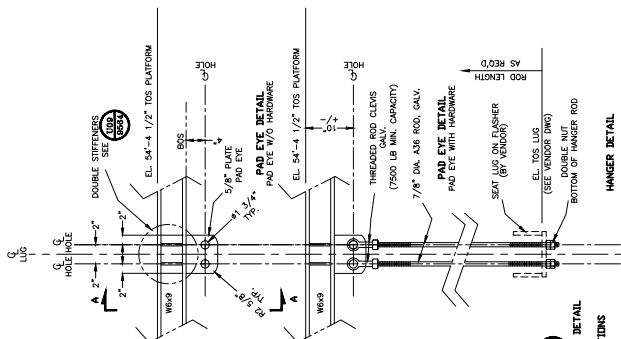


SECTION A-A
SHOWING
SECTION THRU BEAM & PAD EYE
SCALE: 1/2" = 1'-0"

DETAIL
SHOWING
HANGER DETAIL

PAD EYE & ROD CONNECTIONS
SCALE: 1" = 1'-0", UNLESS NOTED OTHERWISE



HANGER DETAIL