

VIEW AT LEVEL +9.0

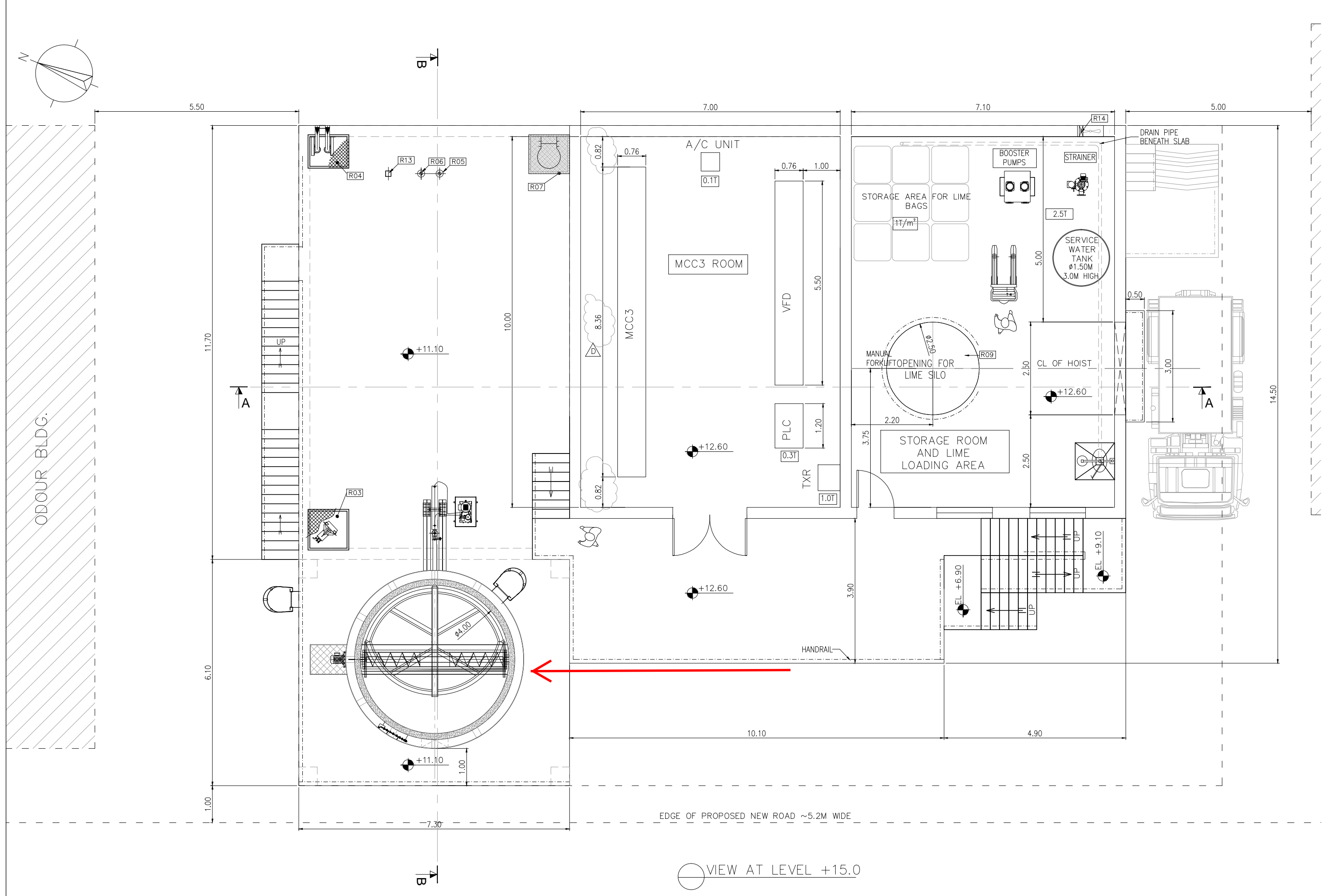
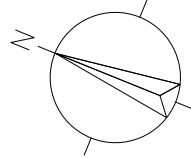
NOTES

1. ALL LEVELS ARE FINISHED LEVELS.
2. ALL UNITS ARE IN METERS U.N.O.
3. THIS DRAWING PROVIDES TO THE CIVIL CONTRACTOR ONLY THE FOLLOWING OPERATIVE AND FUNCTIONAL DIMENSIONS, ESTIMATED LOADS OF OTV EQUIPMENTS MUST BE CONSIDERED.
4. IT IS THE RESPONSIBILITY OF THE CIVIL CONTRACTOR TO DEFINE ALL THE STRUCTURAL ELEMENTS TO ENSURE THE STABILITY, RESISTANCE AND WATER-TIGHTNESS OF THE CIVIL WORK.
5. EQUIPMENTS SHOWN ARE TENTATIVE. THESE SHALL BE UPDATED AFTER RECEIPT OF FINAL SUPPLIER DRAWINGS.
6. SLUDGE STORAGE SILO IS CONTAINING DEWATERED SLUDGE AT CONCENTRATION OF 220KG/m<sup>3</sup> AND TOTAL WEIGHT 132T.
7. FINAL SIZES OF COLUMNS, SLABS, WALLS, BEAMS & OTHER STRUCTURAL ELEMENTS SHALL BE DEFINED BY THE STRUCTURAL DESIGNER.
8. FOUNDATION OF BELT FILTER PRESS SHALL BE BASED ON FINAL DIMENSIONAL DRAWINGS FROM SUPPLIER.
9. ODOUR CONTROL PIPING AND PROCESS PIPING SHALL BE SHOWN ON MECHANICAL DRAWINGS. ONLY OPENINGS ARE SHOWN IN CIVIL GUIDANCE DRAWINGS.

- \* LEGEND:
- R = OPENING
  - T = TRAP DOOR
  - B = BOTTOM OF OPENING
- \* TYPE OF OPENING:
- X = OPENING TO BE SEALED WATERTIGHT
  - = OPENING TO BE SEALED. PIPE MOVEMENT FLEXIBILITY TO ALLOW
  - + = OPENING TO BE SEALED. NEED NOT TO BE WATERTIGHT
- ND = SIZE OF PIPE IN OPENING
  - CL = AXIS OF OPENING
  - SL = SLAB LEVEL
  - O = OPENING TO BE LEFT IN WALLS
  - V = OPENING TO BE CLOSED AFTER PLACING OF PIPES ETC?
  - \ = OPENING AVAILABLE FOR FUTURE CONNECTION TO BE CLOSED PROVISIONALLY

OPENING SCHEDULE

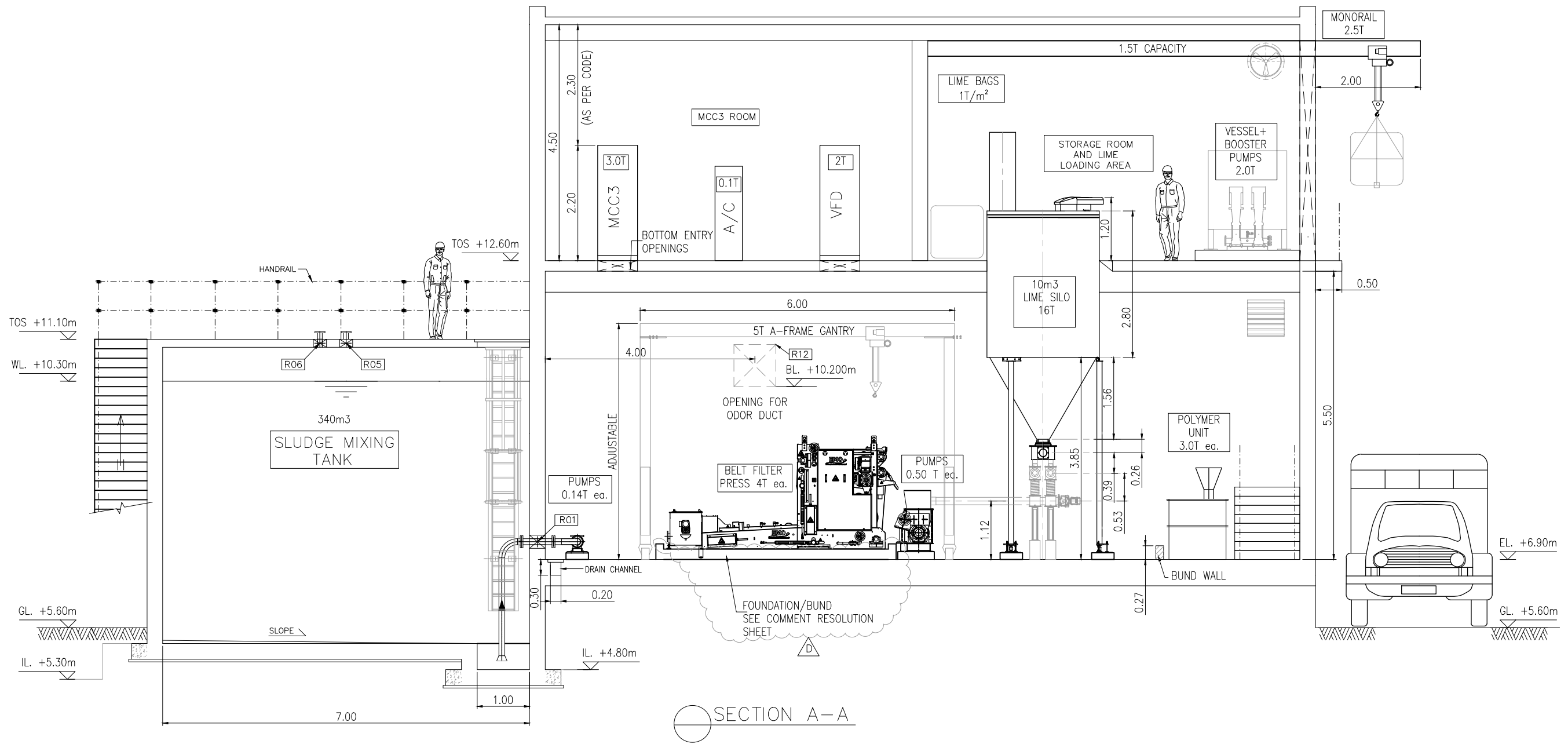
TYPE	ITEM	QTY	H/W x L (mm)	LEVEL (in m)	ND	DESCRIPTION
X	R01	2	250 250	CL +7.240	ND100	OPENING FOR MIXED SLUDGE FEED PUMPS SUCTION PIPE
O	R02	1	350 350	CL +10.200*	ND150	OPENING FOR DEWATERED SLUDGE PUMPS DISCHARGE HEADER
T	R03	1	1000 1000	-	-	OPENING FOR MIXER OPENING
T	R04	1	1000 500	-	-	OPENING FOR GRAVITY THICKENERS DISCHARGE PIPES
X	R05	1	250 250	-	-	OPENING FOR LEVEL INDICATION TRANSMITTER
X	R06	1	250 250	-	-	OPENING FOR LEVEL SWITCH
T	R07	1	1000 1000	-	-	OPENING FOR ACCESS
T	R08	1	1000 1000	-	-	OPENING FOR ACCESS
R	R09	1	Ø2500	-	-	OPENING FOR LIME SILO
X	R10	1	250 250	-	-	OPENING FOR LEVEL INDICATION TRANSMITTER
X	R10	1	250 250	-	-	OPENING FOR LEVEL INDICATION TRANSMITTER
R	R12	1	800 800	CL +10.20*	ND600	OPENING FOR ODOUR TREATMENT
R	R13	1	150 150	-	-	OPENING FOR ODOUR TREATMENT
R	R14	1	150 150	CL +15.10*	ND50	OPENING FOR SERVICE WATER
R	R15	1	250 250	CL +6.60*	ND100	OPENING FOR DRAIN TO RETURN WATER PUMP STATION

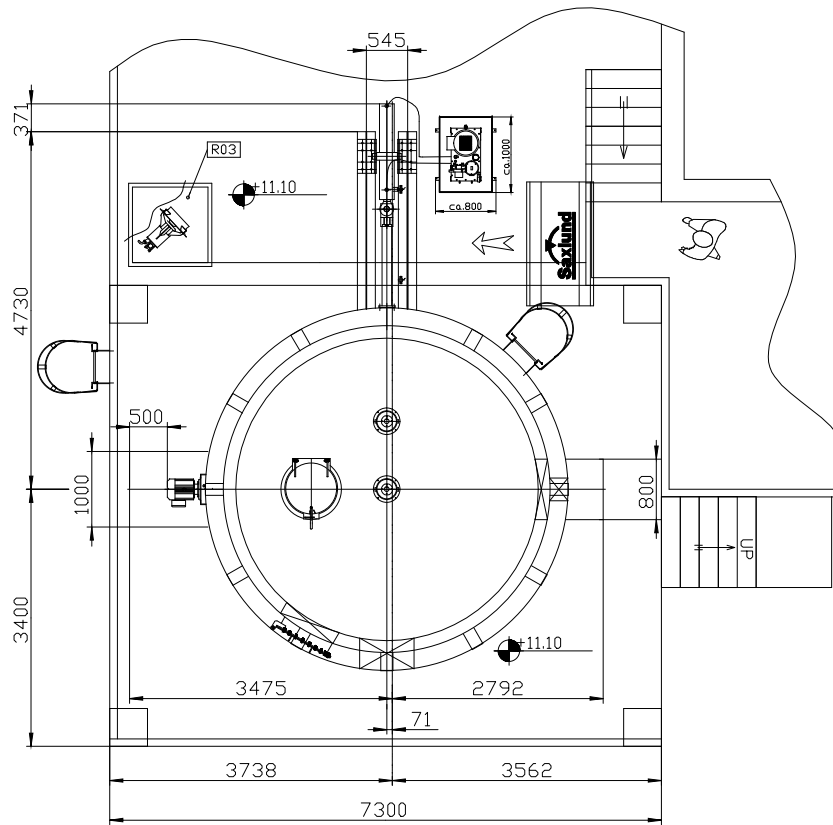
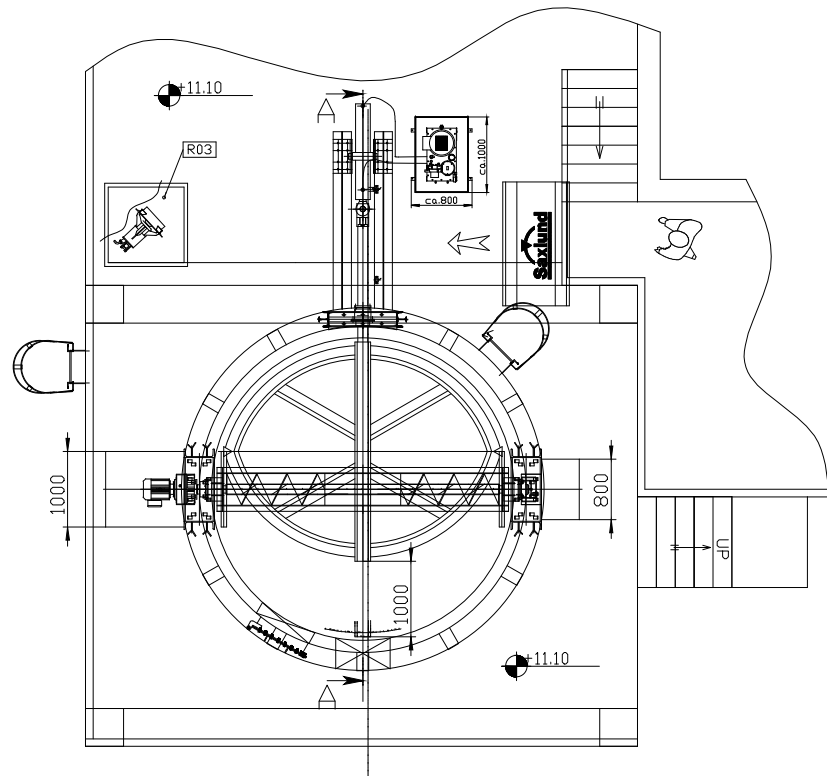


ODOUR BLDG.

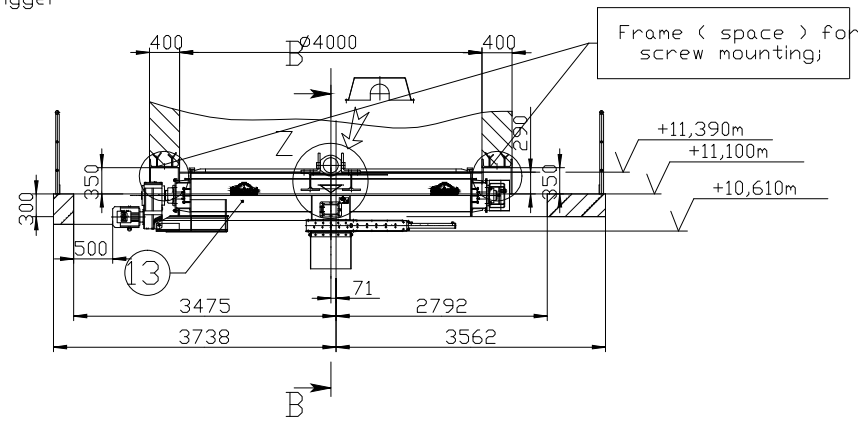
EDGE OF PROPOSED NEW ROAD ~5.2M WIDE

VIEW AT LEVEL +15.0

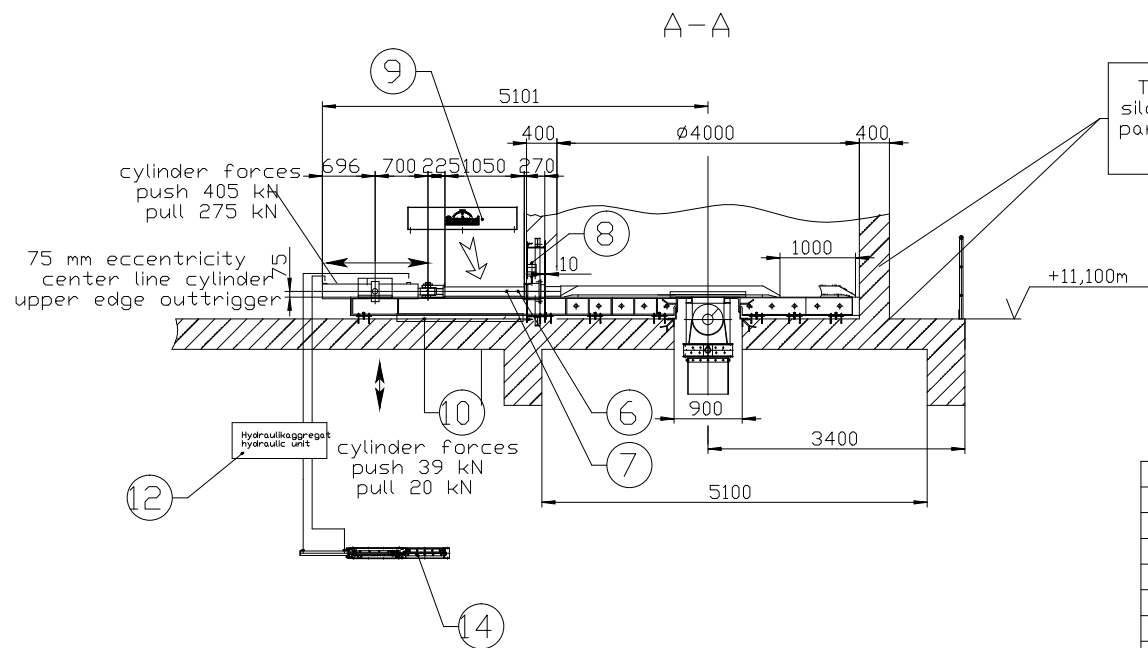




reinforcing plates  $t=15$   
between the outrigger



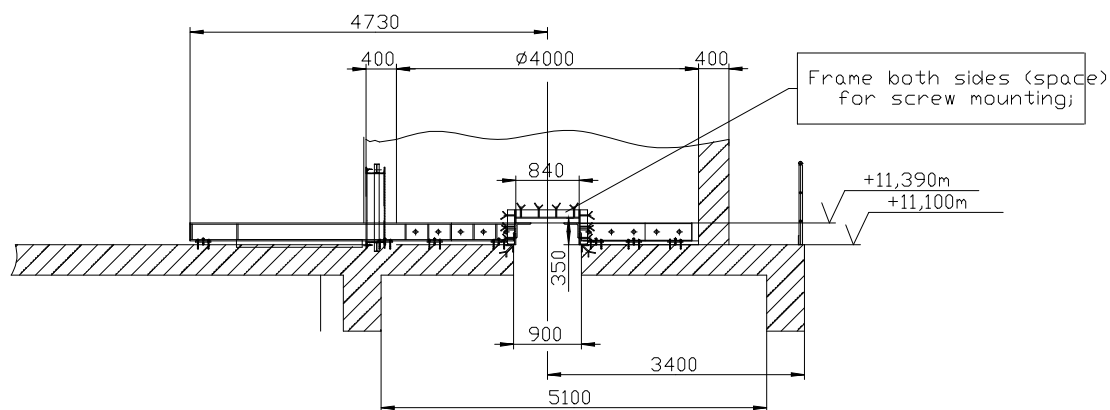
B-B



A-A

Thickness of concrete walls,  
silo bottom and other concrete  
parts must be designed by civil  
engineer;

Steel constructions and cast in  
parts delivered by other;  
No delivery of Saxlund



pos.	pce.	name	material	remark
14	1	Slide gate hydraulic 500x500		
13	1	Discharging screw DM-400		
12	1	Hydraulic unit		
11	2	Limit switches		
10	1	Cylinder pan	3.3535	
9	1	Cylinder cover	3.3535	
8	1	Grase lubrication		
7	1	Flange for stuffing box	1.0038	
6	1	Stuffing box	1.0038	
5	2	Cylinder connection	1.0038	
4	1	Hydraulic cylinder $\varnothing 160/90 \times 1000$		
3	2	Guiding	1.0038	
2	1	Push bar	1.0038	
1	1	Sliding frame	1.0570	