

1969 house design, 6" overhangs  
want 12" overhangs, new roof,  
windows, siding



Lookouts made from 5" wide 2x4 ladder, nailed only to gable end



# 4:12 Fink trusses

1x8 pine fascia nailed into end grain



# Eave (existing)

28' Fink Trusses  
4:12 roof  
2x4 top & bottom  
2x3 diags  
S-dry SPF

end of bottom  
chord toenailed to  
double 2x4 top  
plate

no hurricane clips

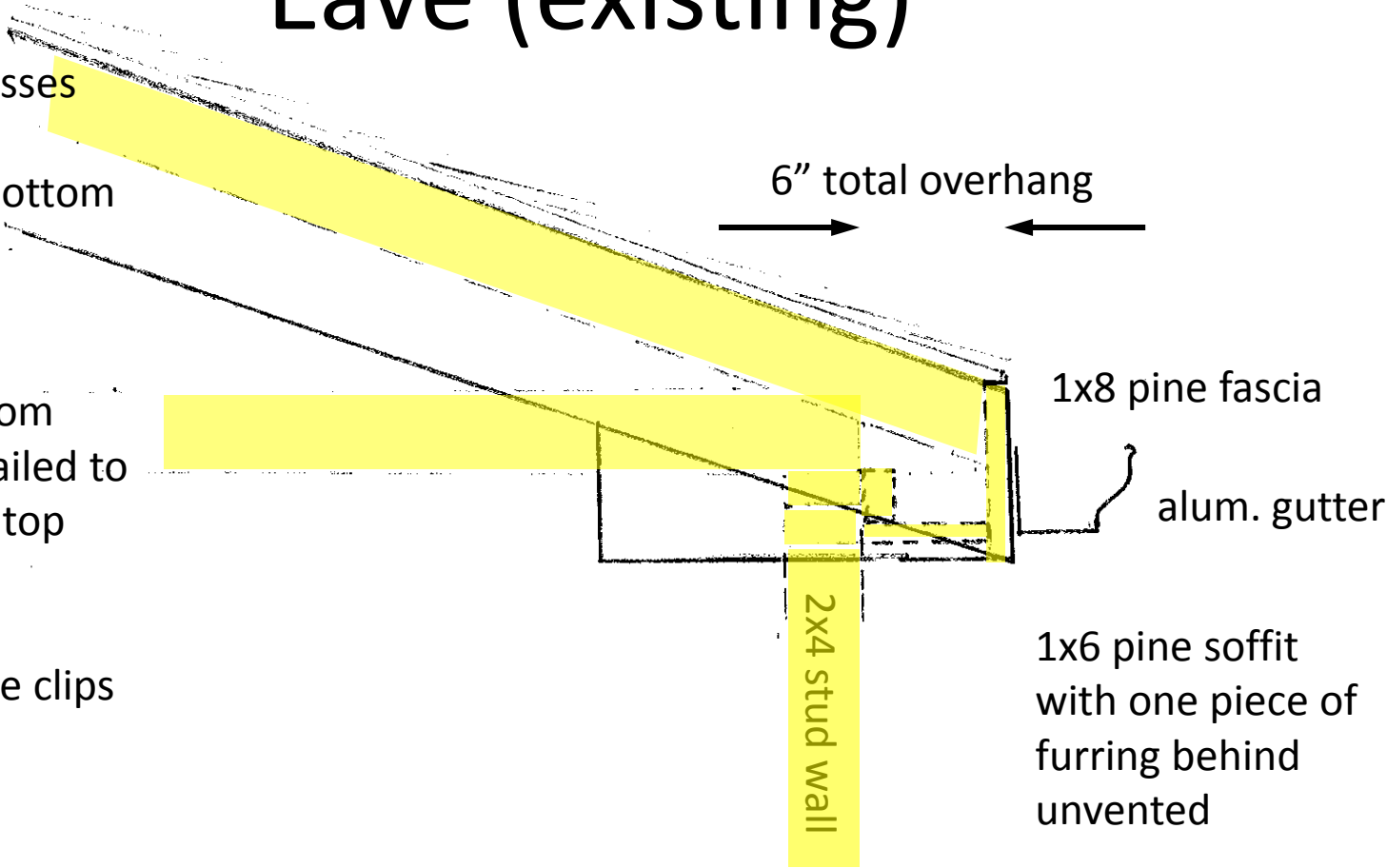
6" total overhang

1x8 pine fascia

alum. gutter

1x6 pine soffit  
with one piece of  
furring behind  
unvented

2x4 stud wall

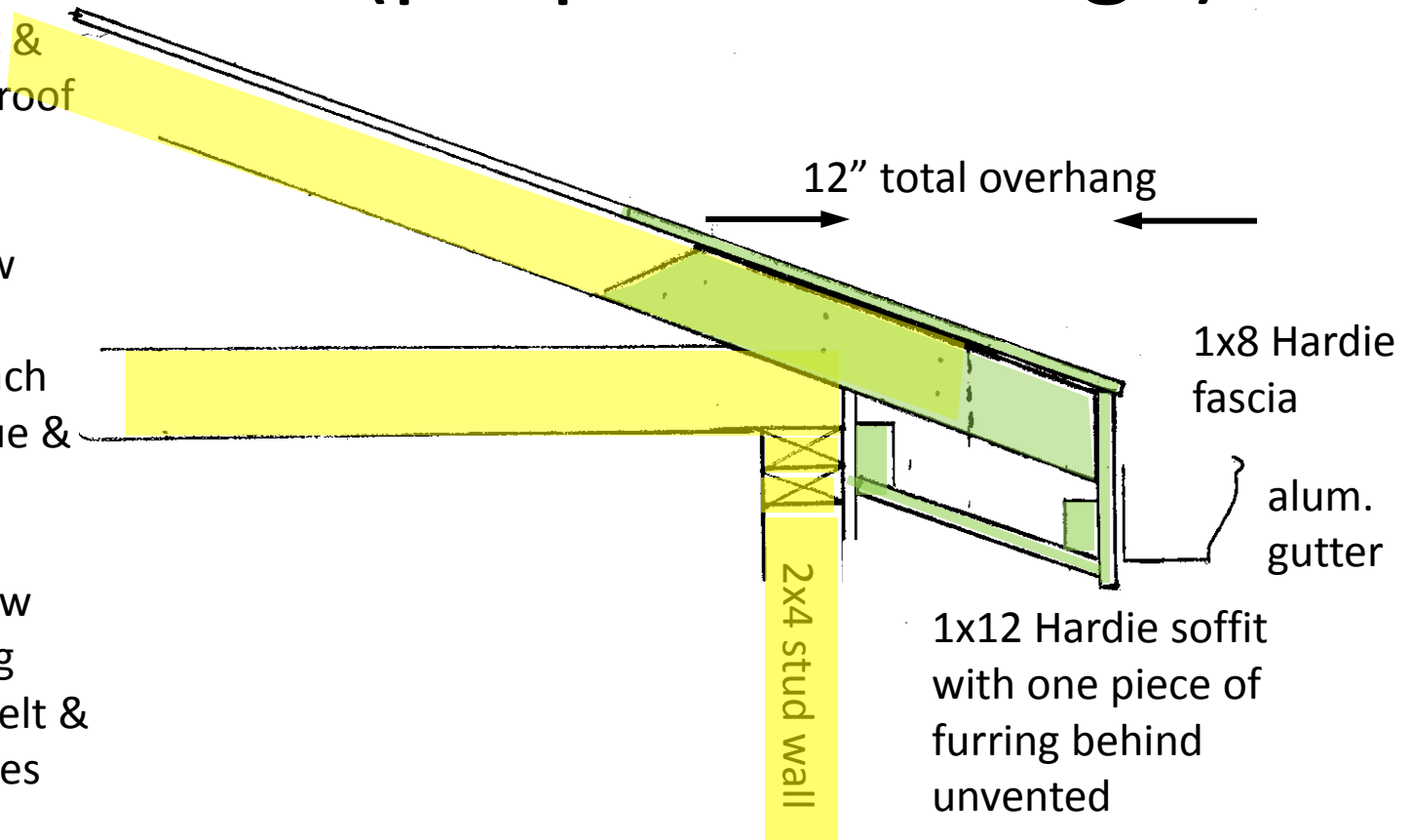


# Eave (proposed change)

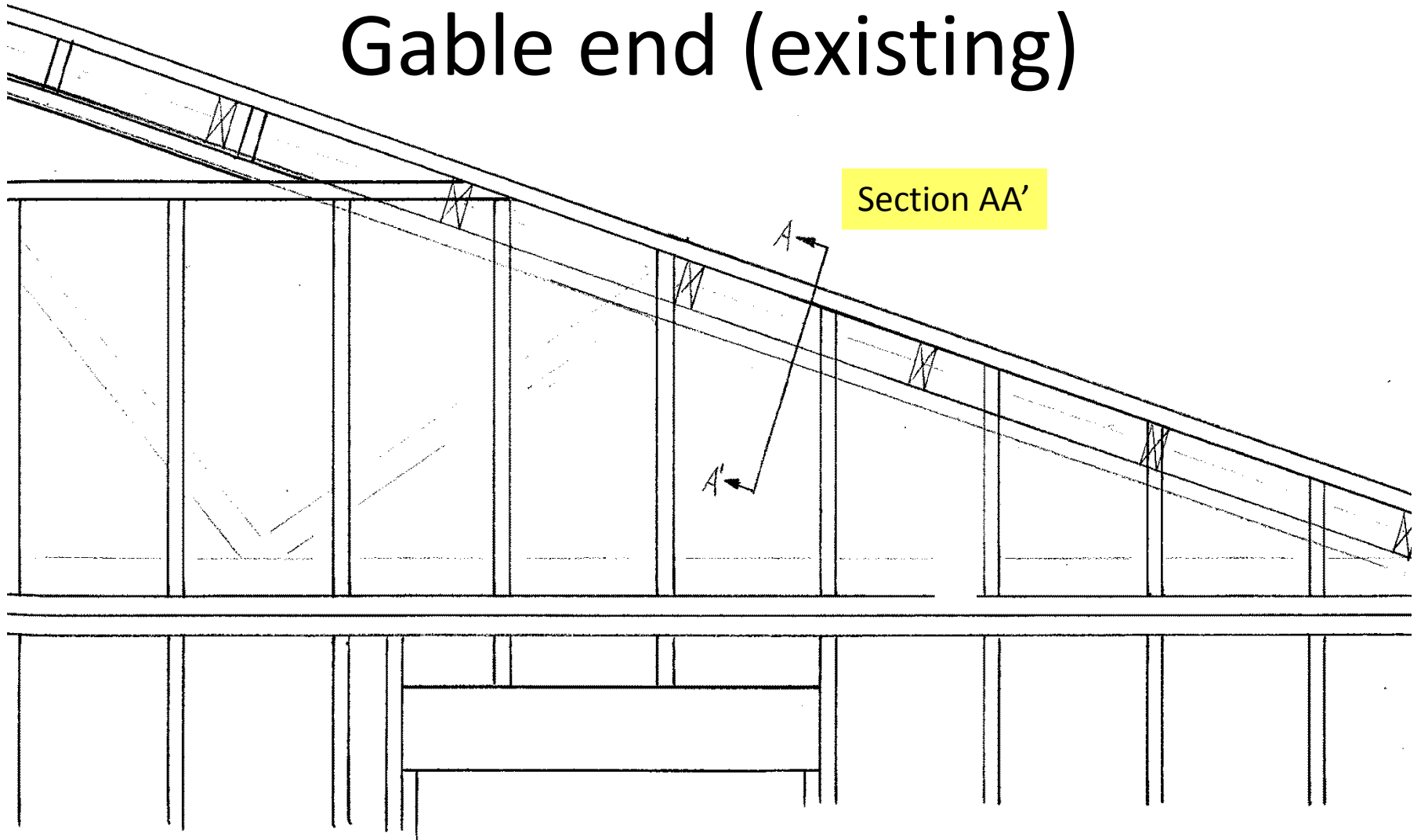
Remove soffit & fascia, 22" of roof sheathing

sister one new 2x4 ~24" long onto tail of each top chord (glue & screw)

patch with new roof sheathing then all new felt & asphalt shingles



# Gable end (existing)



# Section AA' Gable end (existing)

6" total overhang



small lookout  
ladder: two  
2x4s with 2 1/4"  
blocks between

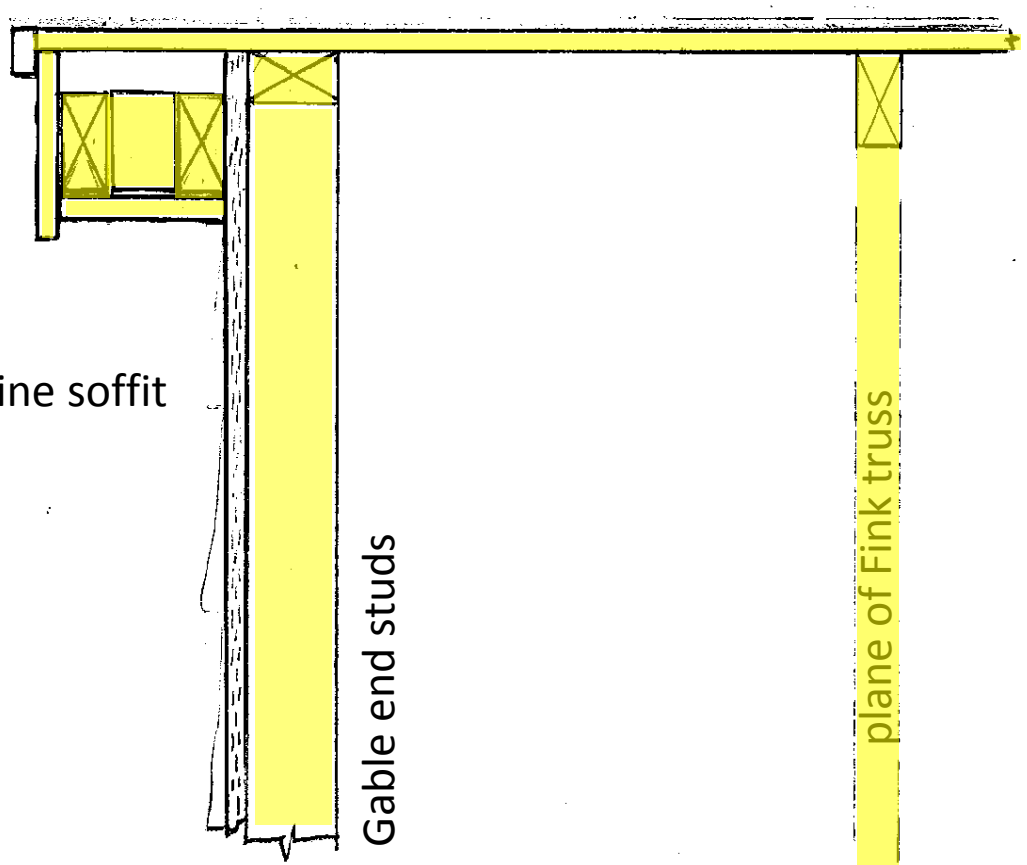
1x8 pine fascia

1x6 pine soffit

Plywood  
sheathing

Gable end studs

plane of Fink truss



# Section AA' Gable end (proposed change)

