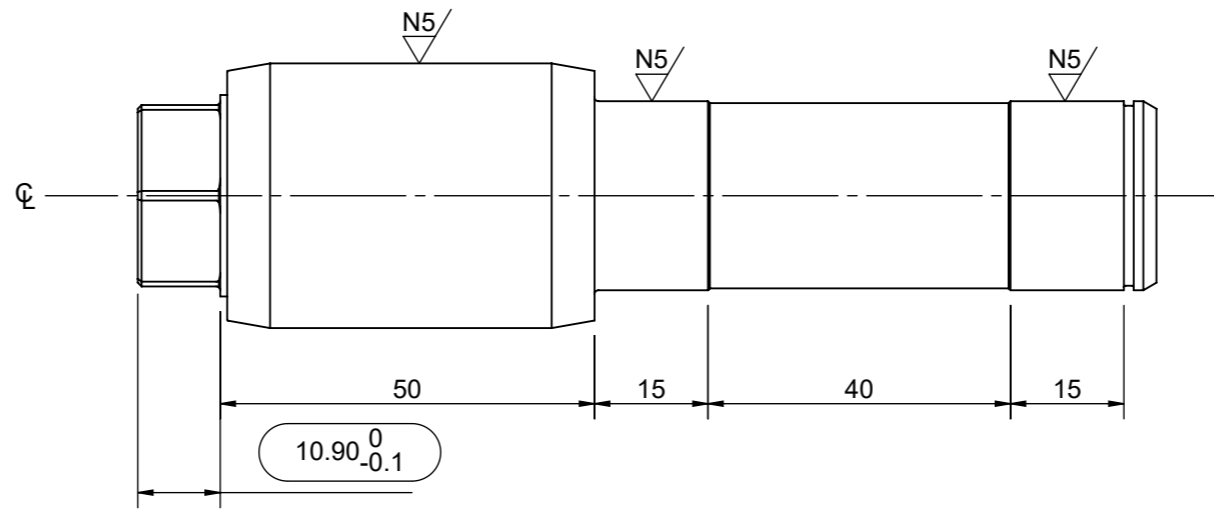
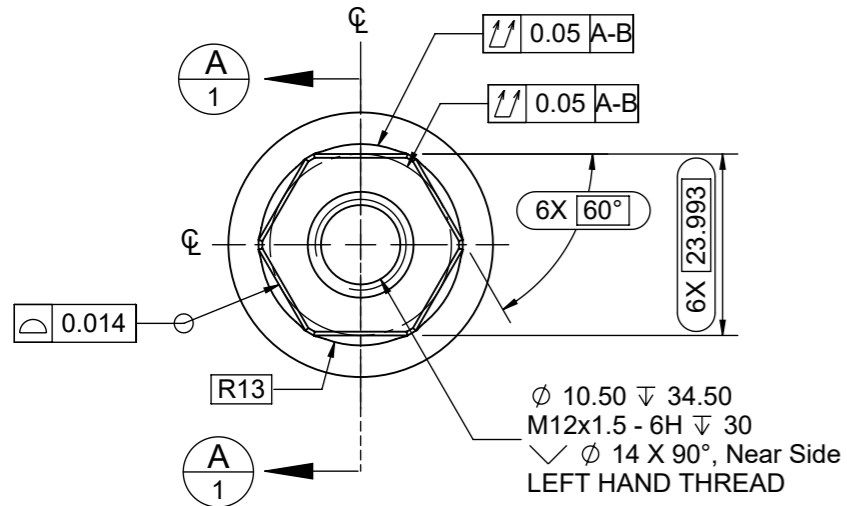
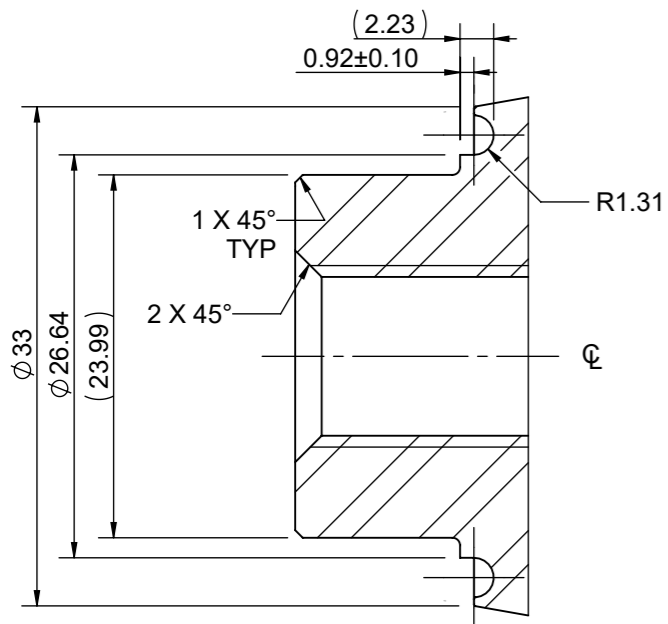
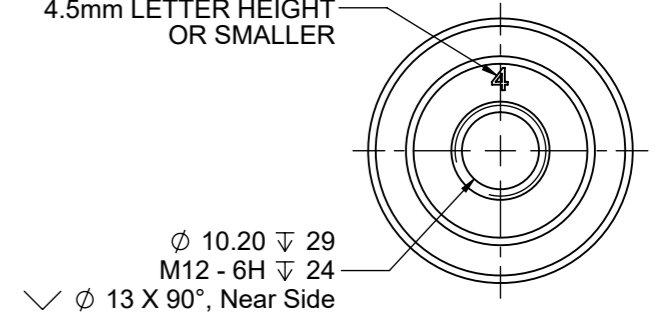


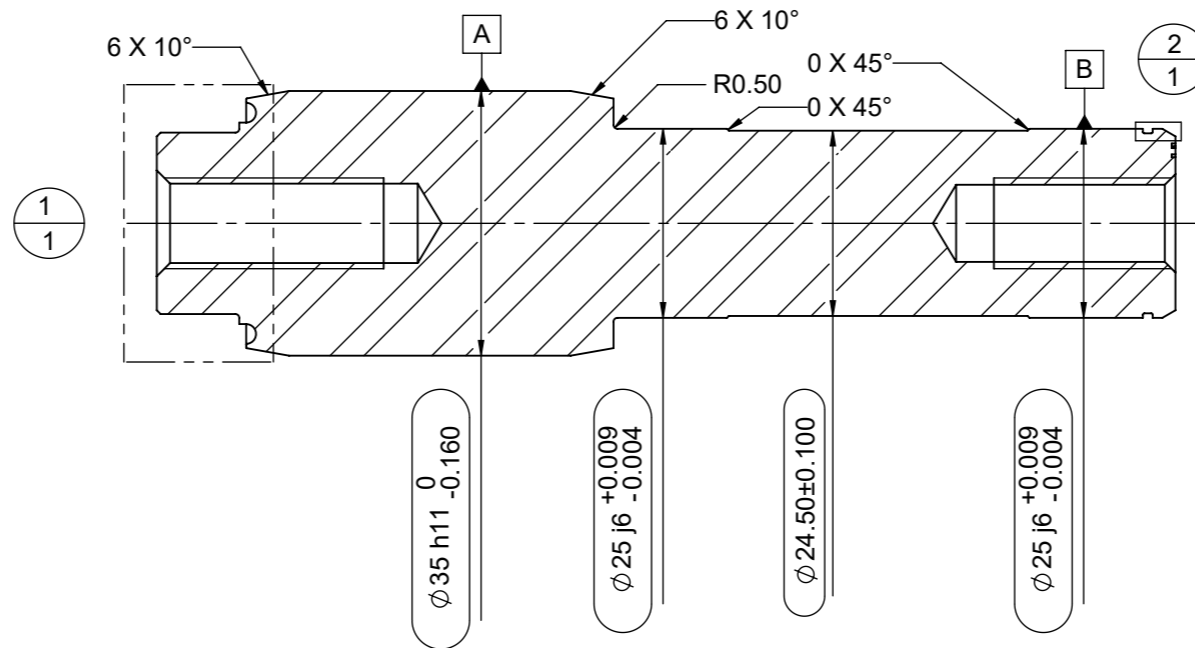
**DETAIL 2**  
SCALE 5:1



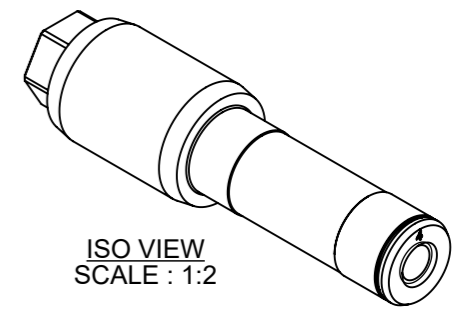
4 STAMPED ON END FACE  
4.5mm LETTER HEIGHT  
OR SMALLER



**DETAIL 1**  
SCALE 2:1



**SECTION A**  
SCALE 1:1



- NOTES:**
1. CHAMFER ALL SHARP EDGES TO  $0.5 \times 45^\circ$  U.O.N.
  2. ALL SURFACE FINISH  $\sqrt{N6}$  U.O.N.

