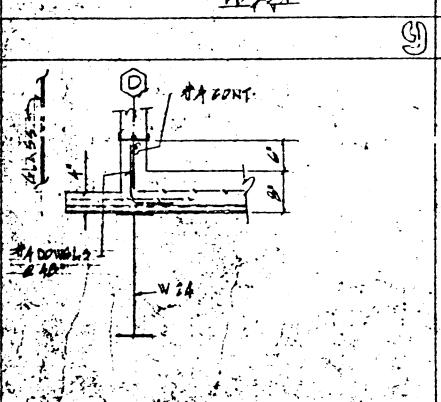
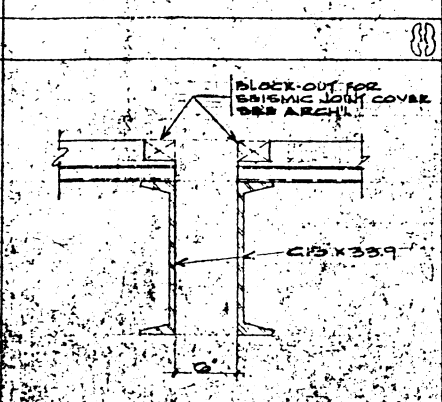
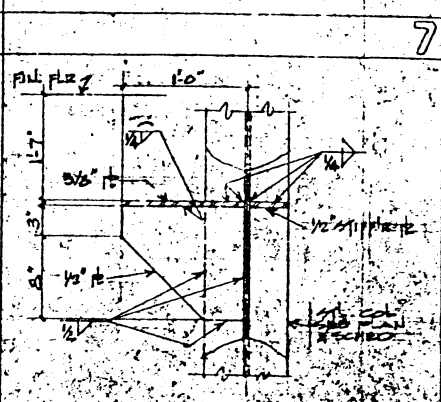
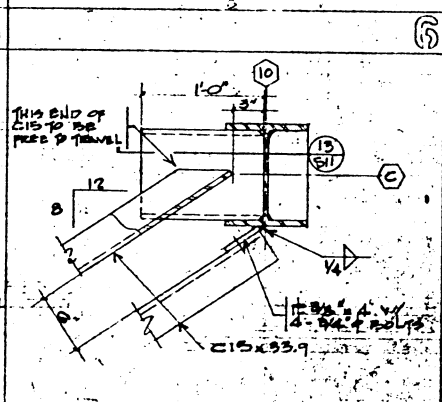
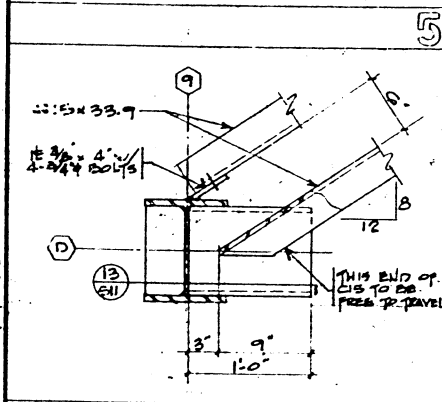
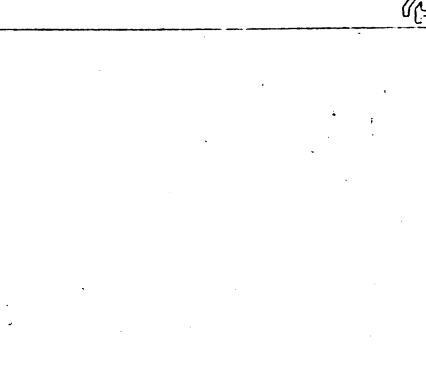
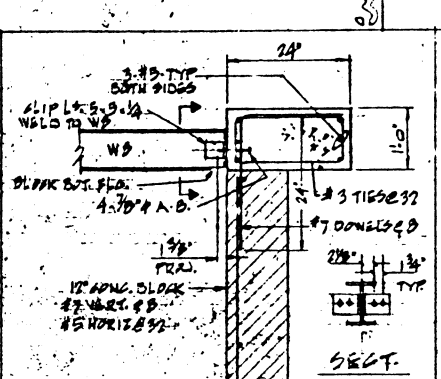
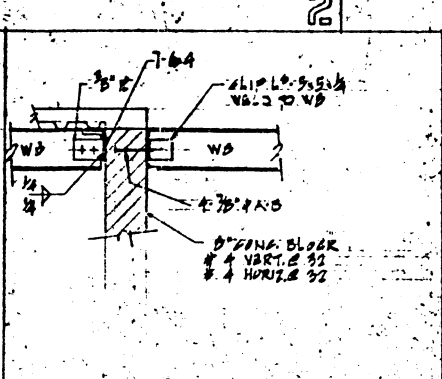
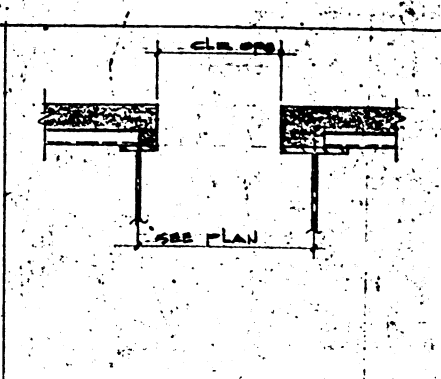
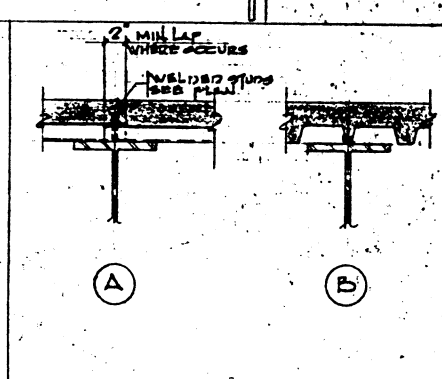
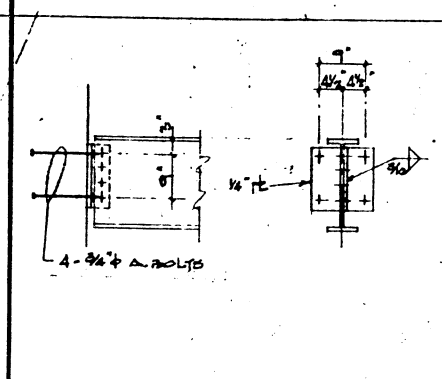
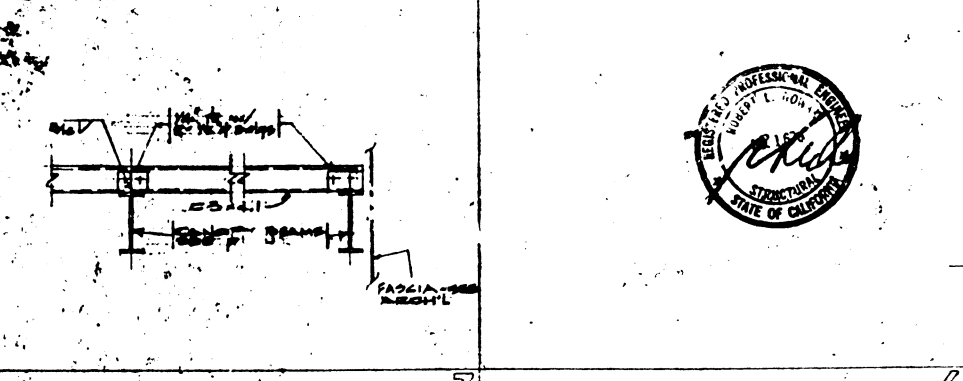
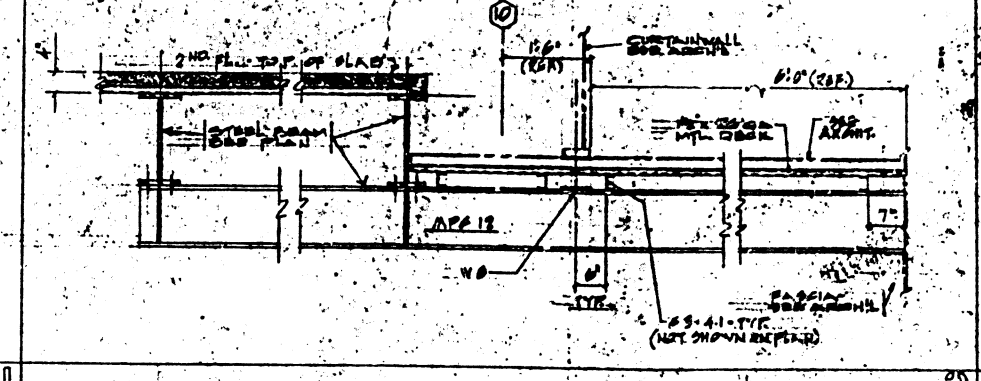
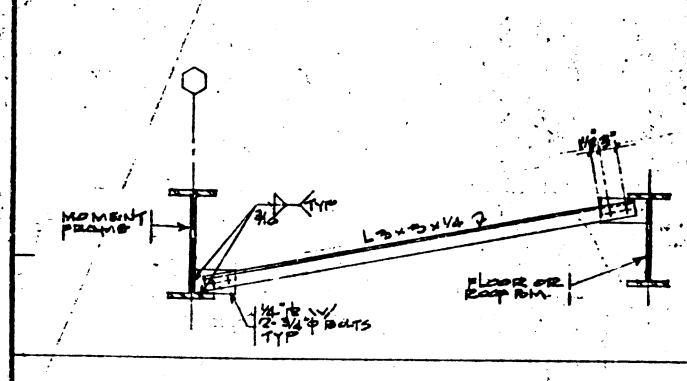


MOMENT FRAME ELEV. LINES 5 9 10 14 A | MOMENT FRAME ELEV. LINES 1 4 17 | MOMENT FRAME ELEV. LINES A C D E F G



PC 998-19
38 of 70

4220 Von Karman Avenue
Newport Beach
California 92660
714-955-1150

**Lee & Strock
Architects**

CITY: NEWPORT BEACH
SCALE: AS SHOWN
DRAWN: [blank]
NO. [blank]
DATE: [blank]
SHEET: 5-11