

the case of blanked stampings, the tolerances apply to the cut band (see figure 1).

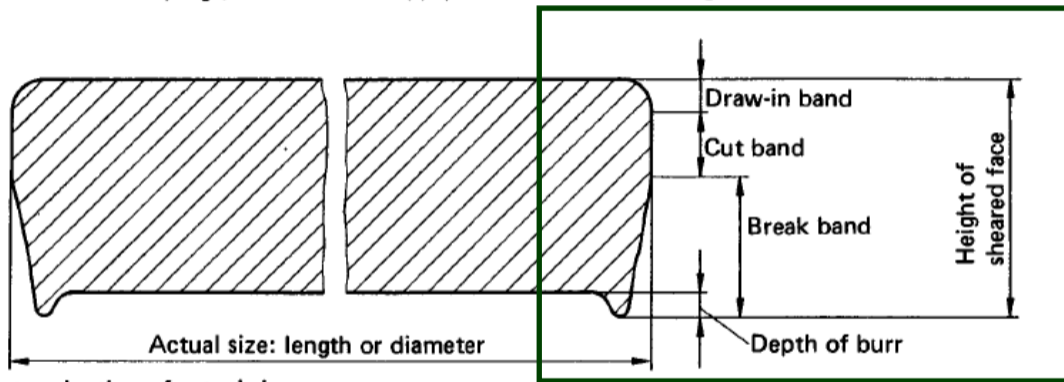


Figure 1. Determination of actual size

Note. Where the position and size of the draw-in band, break band and burr may affect the functioning of the stamping

Measuring to a stamping edge...what area is considered a "broken edge"