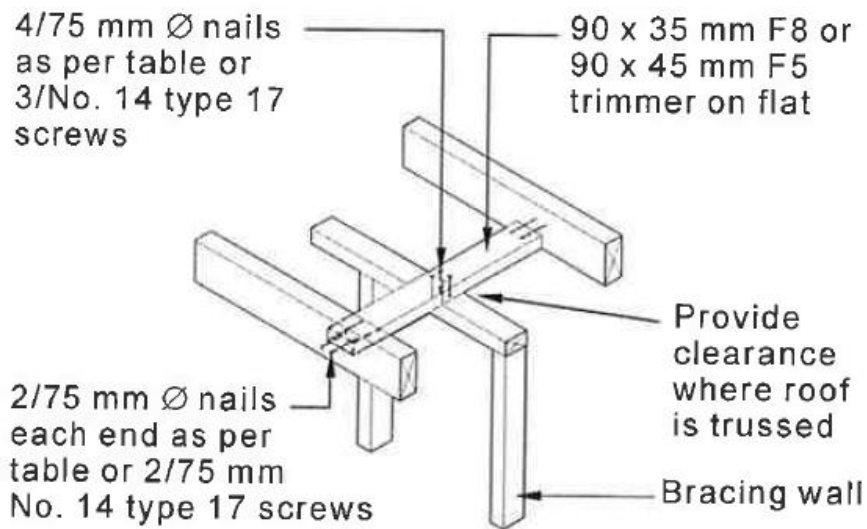
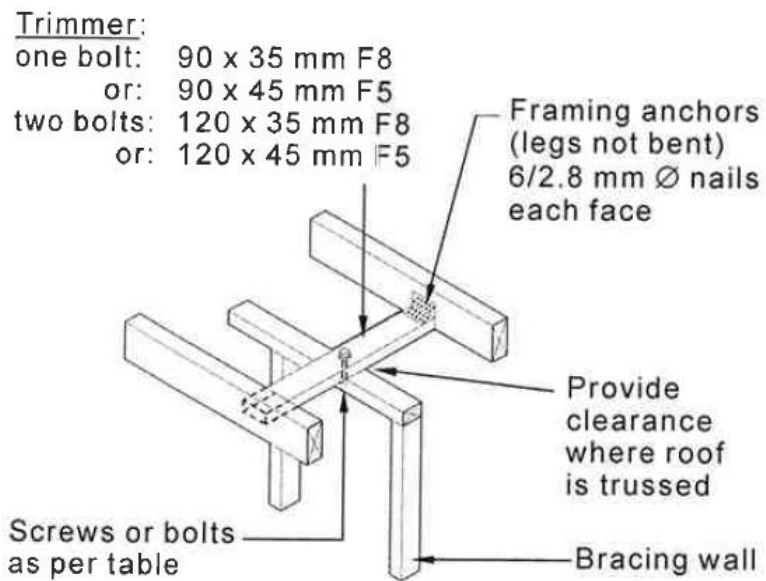


(a)

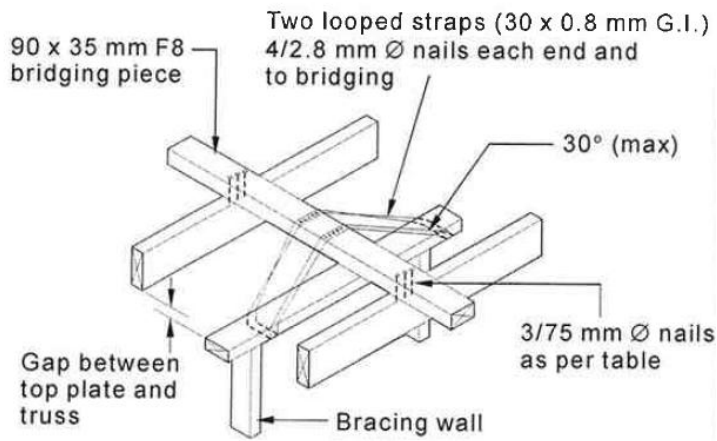


(b)

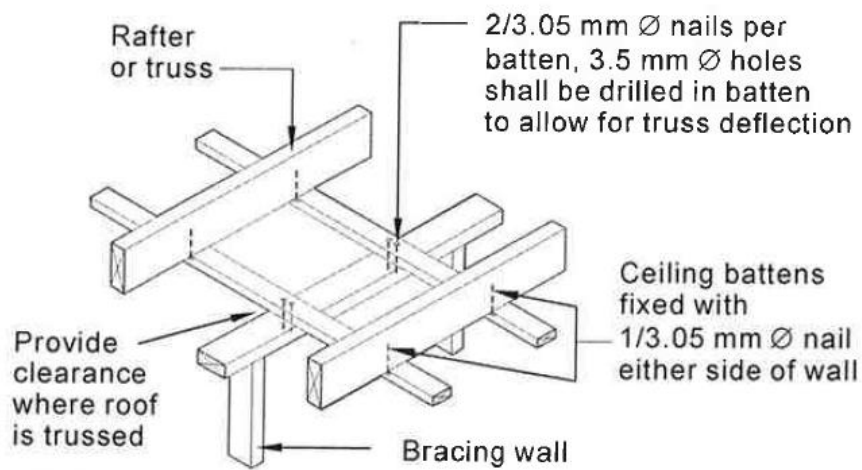


NOTE: For trussed roofs, screws or bolts through the top plate shall be placed in holes that permit free vertical movement of the trusses.

(c)

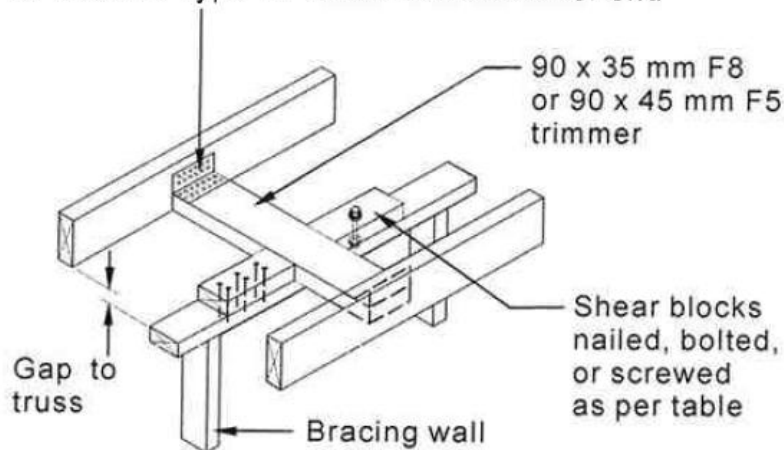


(d)

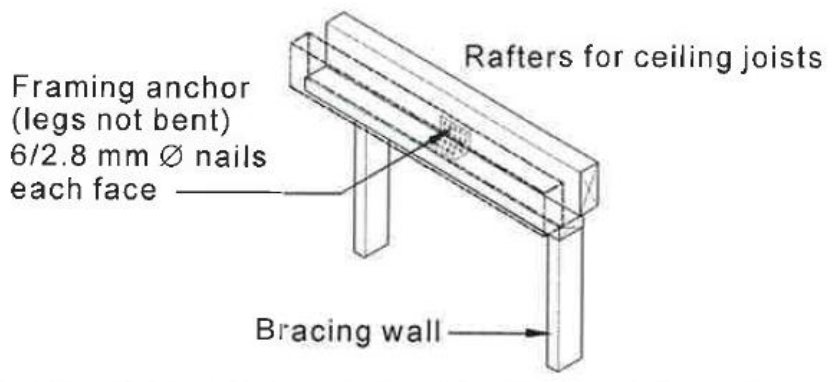


(e)

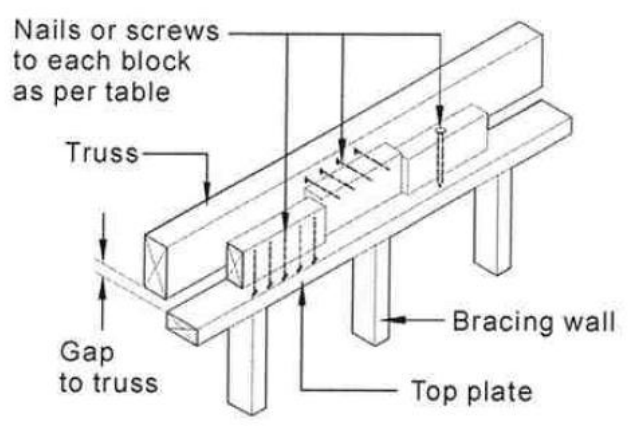
Nailing plates or framing anchor (legs not bent) to either end of nogging 6/2.8 mm  $\varnothing$  nails each face or 2/No. 14 Type 17 batten screws either end



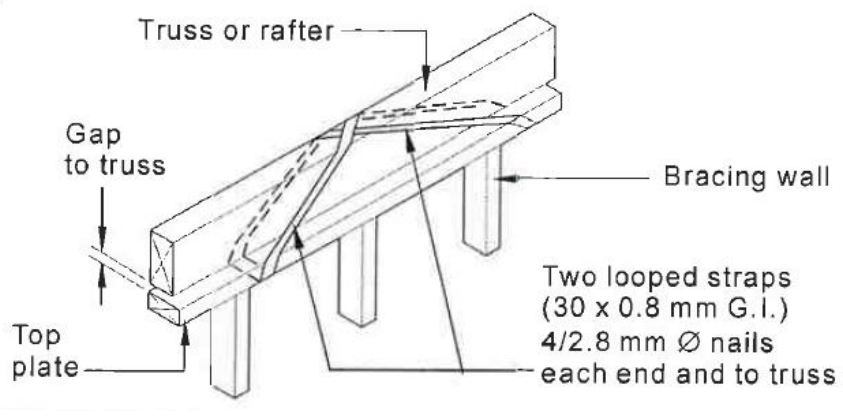
(f)



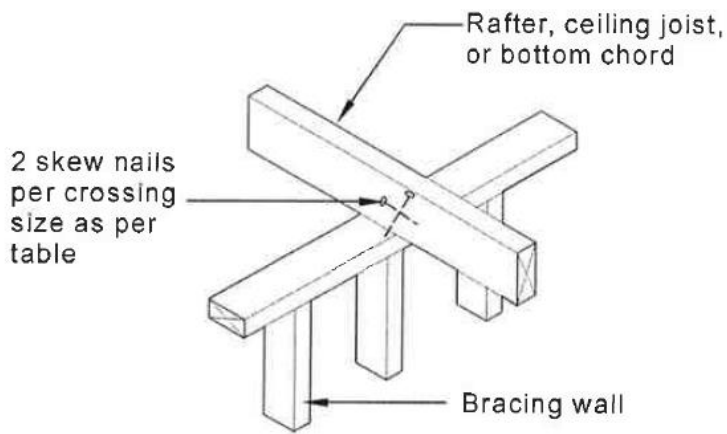
(g)



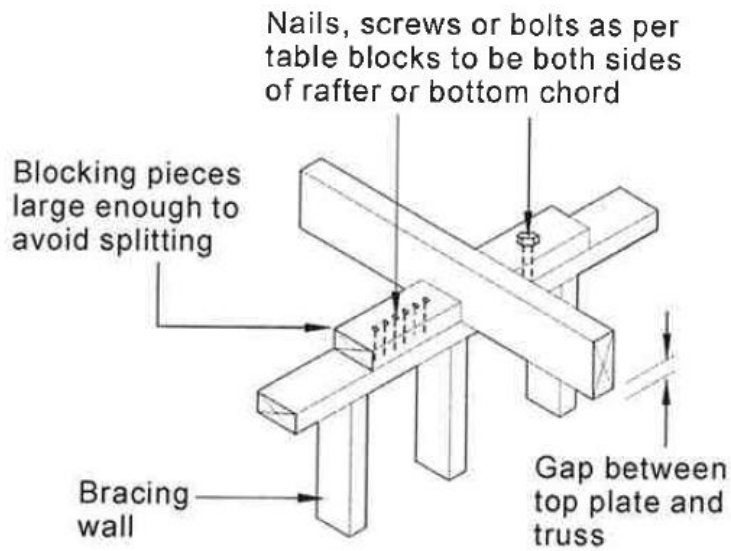
(h)



(i)



(j)



(k)

