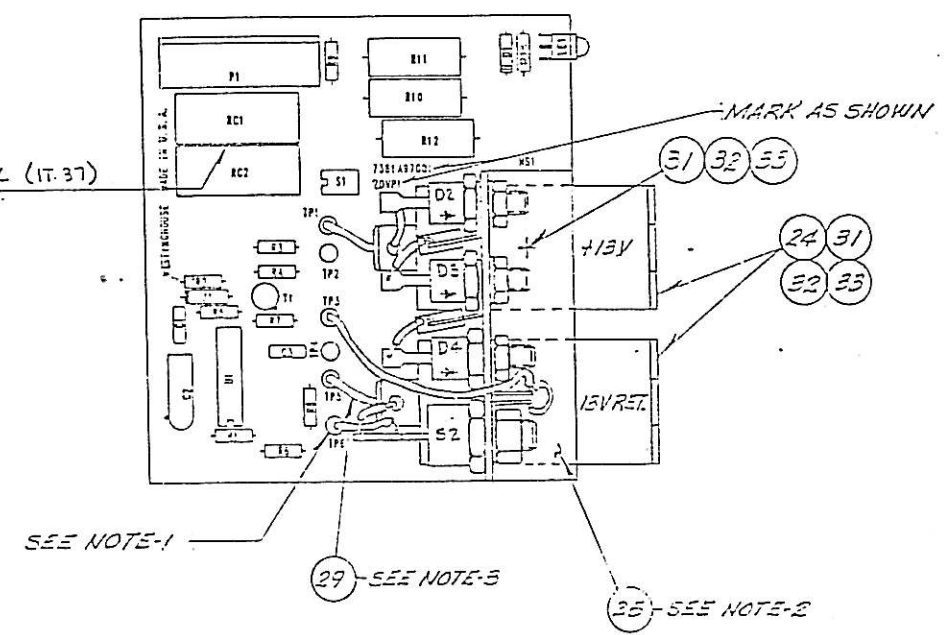


USE ADHESIVE SILASTIC (IT-37) TO FASTEN RCI TO PC2



- NOTES:
- 1-MASK TP HOLES ON SOLDER SIDE PRIOR TO WAVE SOLDERING.
  - 2-FOR BRACKET (IT-25) ASSEMBLY, SEE VIEW "A"
  - 3-ASSEMBLE AND SOLDER WIRE IT-29 AS FOLLOWS:
 

FROM	TO
D2 CATHODE	D2 ANODE
D3 CATHODE	D4 ANODE
D4 CATHODE	S2 ANODE
D4 CATHODE	TP3
D2 ANODE	+15 VOLTS
15VOLT RETURN	S2 CATHODE
* TP5	15 VOLT RETURN
TP6	S2 GATE
* TP1	+15 VOLTS
  - 4-HEATSHRINK TUBING (IT-26) TO BE APPLIED TO SOLDER TERMINAL (IT-22) AS SHOWN.
  - 5-LUGS ON D2, D3, D4 AND S2 CANNOT EXTEND ABOVE BRACKET (IT-25)
  - 6-MOUNT S2 WITH GATE ABOVE CATHODE TO ALLOW CLEARANCE OF BOARD MOUNTING HARDWARE. SEE VIEW "A".

REV.	DATE	BY	CHKD.	DESCRIPTION
1	7-25-89	J. G. W.		THIS SHEET ADDED TO DRG. PACKAGE.
2	7-27-89	J. G. W.		ADDED NOTE 3 AND VIEW A & 101: 3 - WIRE FROM D4 CATHODE TO S2 ANODE NODE ASSEMBLY - RCI & PC2 ADHESIVE NOTE ADDED RIS ADDED U2, D3, D4 & S2, ALL WIRE CONNECTIONS WERE NOT SHOWN IN ROW 10-20 BY [Signature]
3	5-22-90	J. G. W.		ADDED NOTES 5, 6 & TOTAL 101: 2 DCS [Signature] 5-22-90

OVP-11/12

STANDARD DRAWING  
ANY CHANGE MUST BE AUTHORIZED BY DEVELOPMENT ENGINEERING DEPT.

WESTINGHOUSE ELECTRIC CORPORATION

TITLE OVER-VOLTAGE PROTECTOR CARD  
OVP ASSEMBLY

DIMENSIONS IN INCHES		SCALE	
DFTN.		APPD.	
CHKD.		APPD.	
SUPV.		APPD.	

7381A97

AUTOMATION DIVISION

PITTSBURGH PA USA

D

C

B

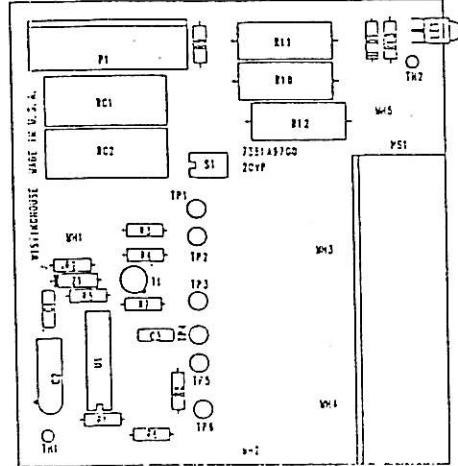
A

D

C

B

A



WESTINGHOUSE 224P 7381A97-01

SEE NOTE 14 ON S.D.

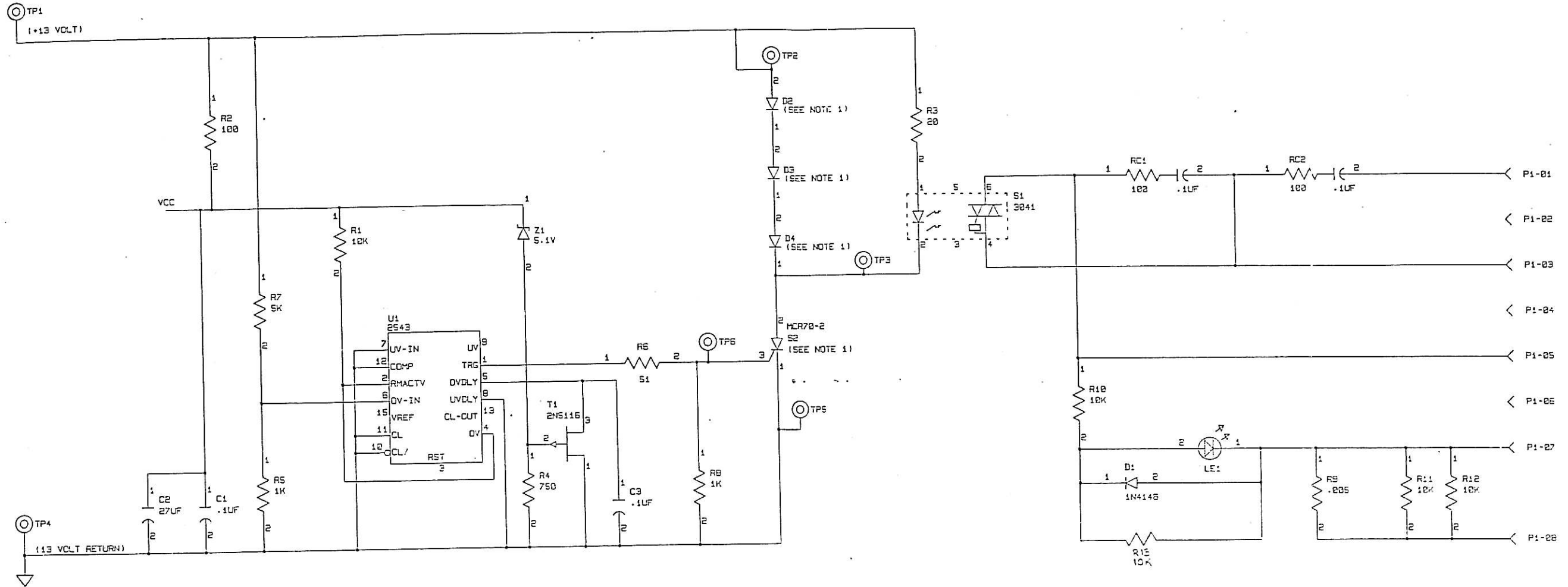
OVP - 13/14

STANDARD DRAWING  
ANY CHANGE MUST BE AUTHORIZED  
BY DEVELOPMENT ENGINEERING DEPT

REV.	
IT.	CHARGE
1	DEO 47479-6 A THIS SHEET ADDED TO DWG. PACKAGE 224P 7-25-67 S. Mink 7-31-67
2	DEO 47603-3D B WAS 10YP RDW 10-20-69 K. W. M. 11-13-69 S. Mink 11-1-69

WESTINGHOUSE ELECTRIC CORPORATION		
TITLE OVER-VOLTAGE PROTECTOR CARD		
OVP		LEGEND
DIMENSIONS IN INCHES	SCALE	
DR. TH.	APPD.	
CHD.	APPD.	
SUPV.	APPD.	
AUTOMATION DIVISION		PITTSBURGH PA USA

7381A97



**NOTES:**

1-THESE COMPONENTS ARE MOUNTED OFF THE PC. BOARD AND WIRED TO THE BOARD USING TEST POINTS TP1-TF6.

OVP-15/16

STANDARD DRAWING  
ANY CHANGE MUST BE AUTHORIZED  
BY DEVELOPMENT ENGINEERING DEPT.

DESIGN CHANGES  
DATE 11-15-81  
DRAWN BY: J. H. HARRIS  
CHKD BY: J. H. HARRIS  
DATE 7-26-81  
BY: J. H. HARRIS  
DATE 7-21-81  
SECTION 8.3, R13  
REVISED  
ROW 10-30-81  
BY: J. H. HARRIS  
DATE 11-1-81

TOP LEVEL IND.  
DESIGN RESP.  
CLASSIFICATION.  
RETRIEVAL CODE.  
PRODUCT FAMILY.

DO NOT SCALE DIM  
MACHINED SURFACES  
UNLESS OTHERWISE SPECIFIED  
BREAK ALL SHARP EDGES .004  
DEBURR ALL HOLE  
ANGULAR DIMENSIONS 8.3008

OVER 24	8.04	8.010
UP TO 24	8.04	8.010
UP TO 4 IN.	8.02	8.000
BASIC DIM.	3 PLACE DEC.	3 PLACE DEC.

TOLERANCE UNLESS  
OTHERWISE SPECIFIED

WESTINGHOUSE ELECTRIC CORPORATION  
TITLE OVER VOLTAGE PROTECTOR CARD  
OVP SCHEMATIC

DIMENSIONS IN INCHES SCALE

DATE	APPRO.	
CHKD.	APPRO.	
SUPP.	APPRO.	

7381A97

INDUSTRY SYSTEMS DIVISION PITTSBURGH PA USA