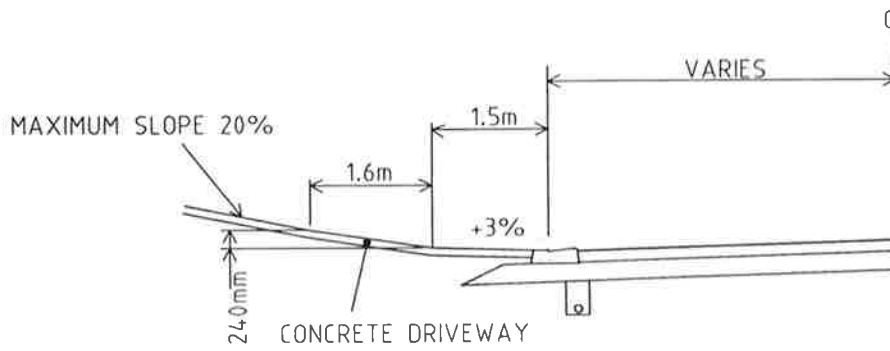


TYPICAL DRIVEWAY DETAIL - DESCENDING

SCALE 1:100



TYPICAL DRIVEWAY DETAIL - ASCENDING

SCALE 1:100

**Rodney**  
DISTRICT COUNCIL  
PRIVATE BAG, OREWA  
PH. (09) 426-5169

E. J. WALDEN  
B.E. M.I.P.E.N.Z.  
ENGINEERING MANAGER

STANDARD DETAIL

TYPICAL VEHICLE CROSSING -  
SLOPE DETAILS

DRAWING NO.

13 000

SHEET NO.

7

REVISION.

1-7/4/97

DRAWN

S. CANDISH

DATE

JAN 1996

APPROVED