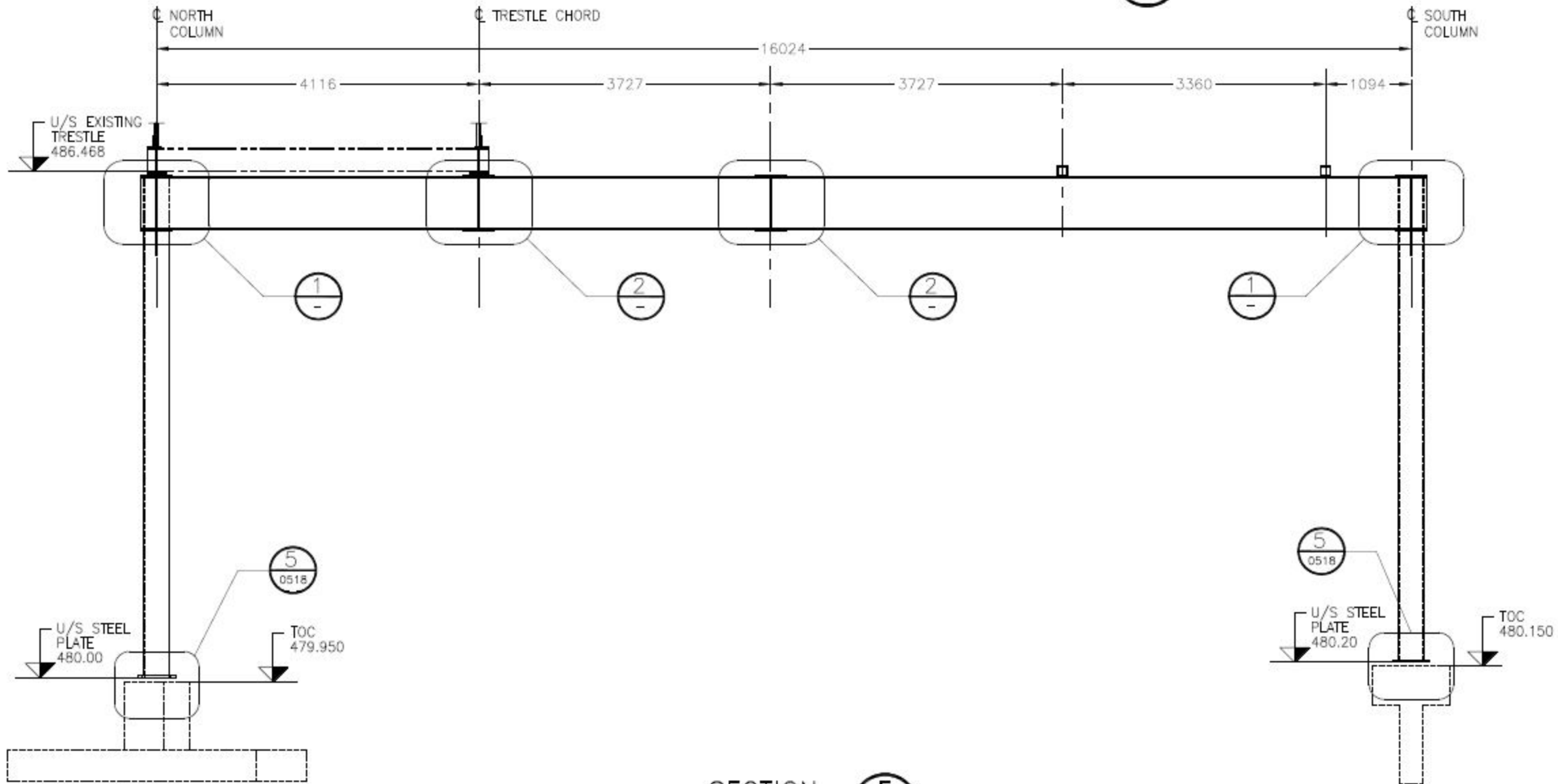
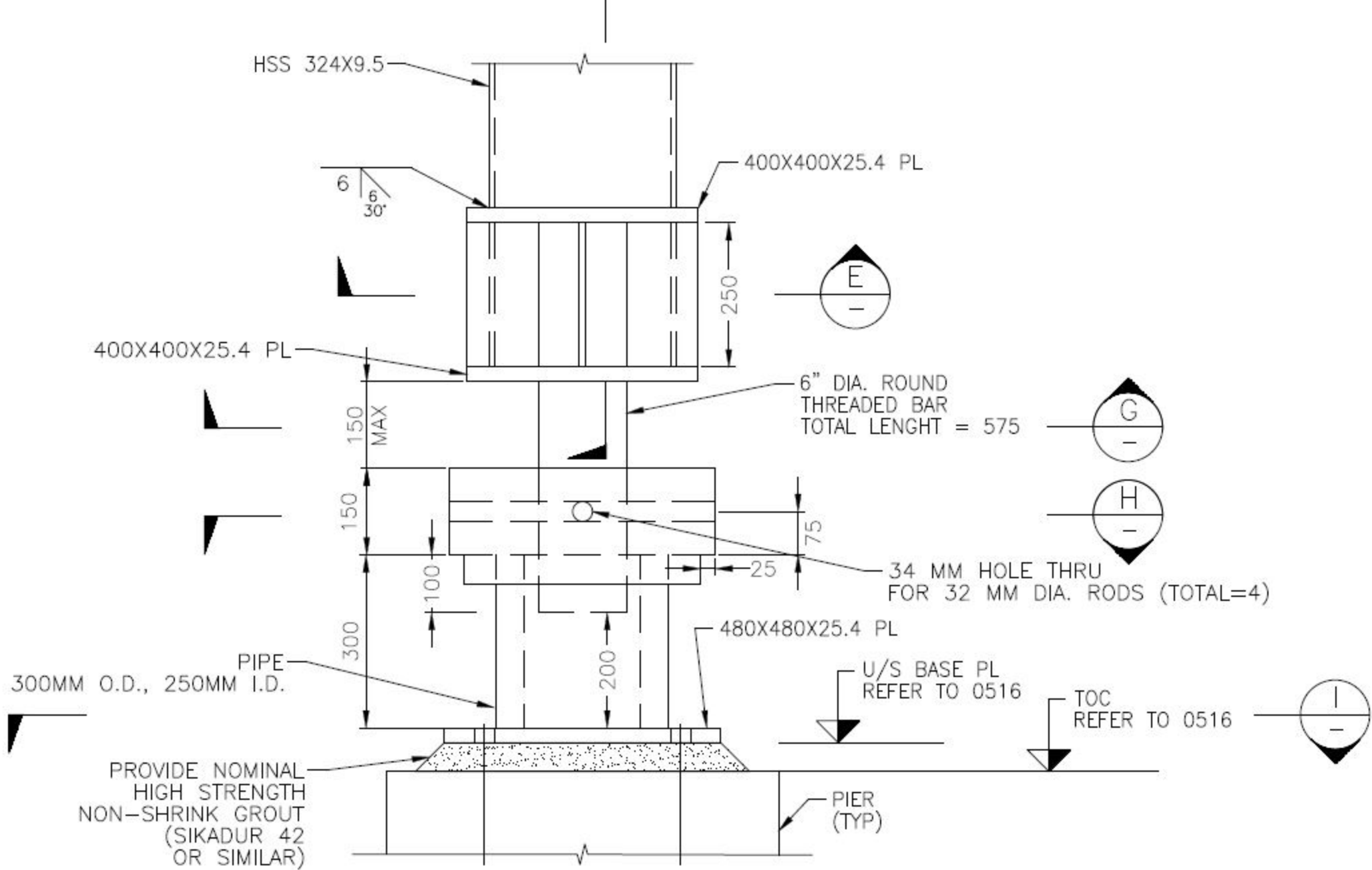


SECTION D
SCALE: 1:10



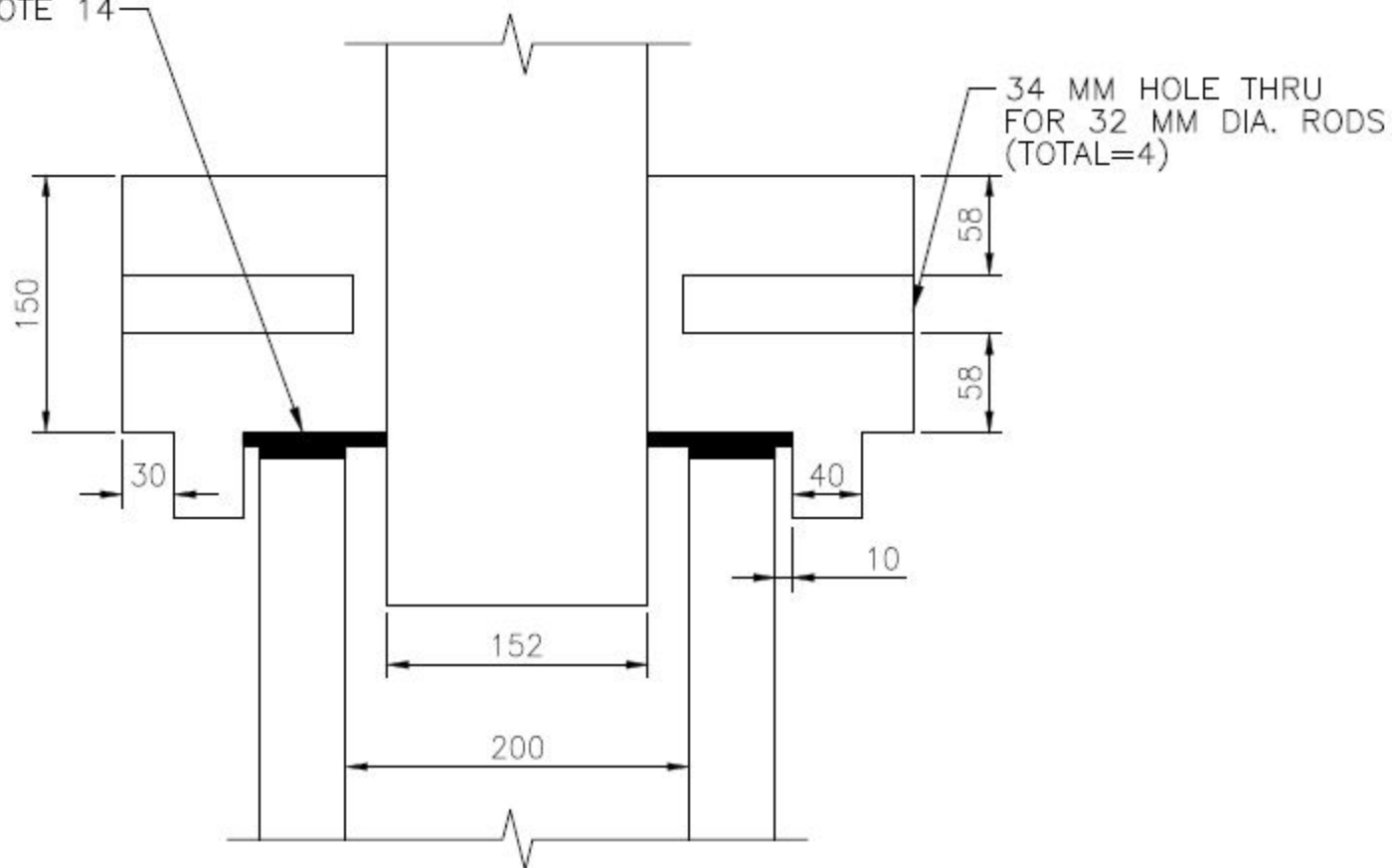
SECTION E



HEAVY-DUTY LIFTING SUPPORT-MAX LEVEL

DETAIL 5
SCALE 1:10

REFER TO NOTE 14



SECTION

SCALE: 1:5

