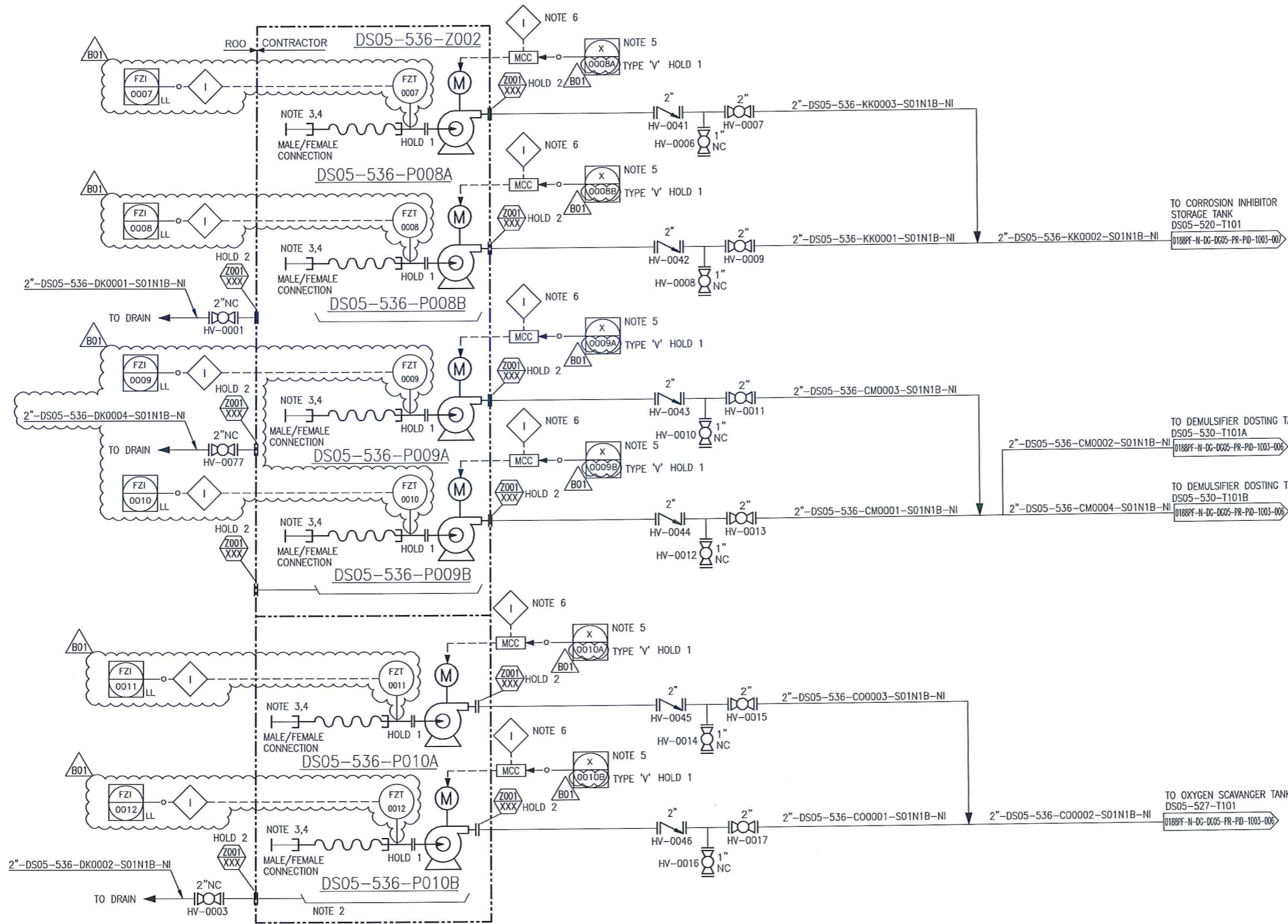


DS05-536-Z002 (NOTE 1)
CHEMICAL TRANSFER PUMP PACKAGE

DS05-536-P008A/B (HOLD 1)
CORROSION INHIBITOR
TRANSFER PUMPS
PUMP RATED CAPACITY: 3 m³/h
DESIGN PRESS./TEMP.: 3.5barg / 85°C/-2°C
MATERIAL : SS316L

DS05-536-P009A/B (HOLD 1)
DEMULSIFIER TRANSFER PUMPS
PUMP RATED CAPACITY: 3 m³/h
DESIGN PRESS./TEMP.: 3.5barg / 85°C/-2°C
MATERIAL : SS316L

DS05-536-P010A/B (HOLD 1)
OXYGEN SCAVENGER
TRANSFER PUMPS
PUMP RATED CAPACITY: 3 m³/h
DESIGN PRESS./TEMP.: 3.5barg / 85°C/-2°C
MATERIAL : SS316L




- NOTES**
- CHEMICAL TRANSFER PUMP PACKAGE TO INCLUDE CORROSION INHIBITOR TRANSFER PUMPS, DEMULSIFIER TRANSFER PUMPS AND OXYGEN SCAVENGER PUMPS (2x100%) AS PART OF SKID.
 - INDIVIDUAL FIXED DRIP TRAY TO BE PROVIDED FOR THE INDIVIDUAL CHEMICALS.
 - FLEXIBLE HOSE WITH COUPLED CAMLOCK CONNECTION MALE/FEMALE.
 - PUMP / SUCTION PIPING TO BE CLEARLY LABELLED AND HOSE CONNECTIONS TO BE PROVIDED WITH COLOR CODING FOR EACH CHEMICAL TYPE.
 - HIGH HIGH LIQUID LEVEL (H2) IN RELEVANT STORAGE TANKS (CAMERON SUPPLIED) SHALL STOP CHEMICAL TRANSFER PUMPS.
 - PUMP TO TRIP DURING LEVEL-1 SHUTDOWN.

- GENERAL NOTES**
- FOR LEGEND & SYMBOLS REFER DWG NO. 0000RP-C-GO-G000-PR-PID-0001-001 TO 0013.
 - ALL INSTRUMENT AND MANUAL VALVE TAG NOS. PREFIXED WITH DS05-536-.

- HOLDS**
- PUMP VENDOR DETAILS.
 - VENDOR TIE-IN NUMBERS.


REV	DESCRIPTION	ORIG	DRAFT	CHECK	APP'D	DATE
B01	ISSUED FOR HAZOP	AN	AB	AS	KS/WAQ	19.02.20
A01	ISSUED FOR COMPANY REVIEW	AN	AB	AS	KS/WAQ	28.01.20

CLIENT



RUMAILA OPERATING ORGANISATION

CONTRACTOR



CONTRACT NO. : 101591PF
PETROFAC JOB NO. : 0188PF
ORIGINAL DWG SIZE : A1
SCALE : NTS

DRAWING TITLE :

DS05 D&D TEST TRAIN PROJECT
DS05 PIPING AND INSTRUMENT DIAGRAM
CHEMICAL TRANSFER PUMP PACKAGE

CLIENT: RUMAILA OPERATING ORGANISATION (ROO)
0188PF-N-DG-DG05-PR-PID-1013-001 REV.B01
0188PF-N-DG-DG05-PR-PID-1013-001.dwg TOTAL SHEETS. 001

\\ds.petrofac.local\shj\projectdata\ES00005\0188PF - D&D DS05 TEST TRAIN\Process Engineering\9. Working Documents\3. Drawing\3. P&ID\Working\0188PF-N-DG-DG05-PR-PID-1013-001.dwg

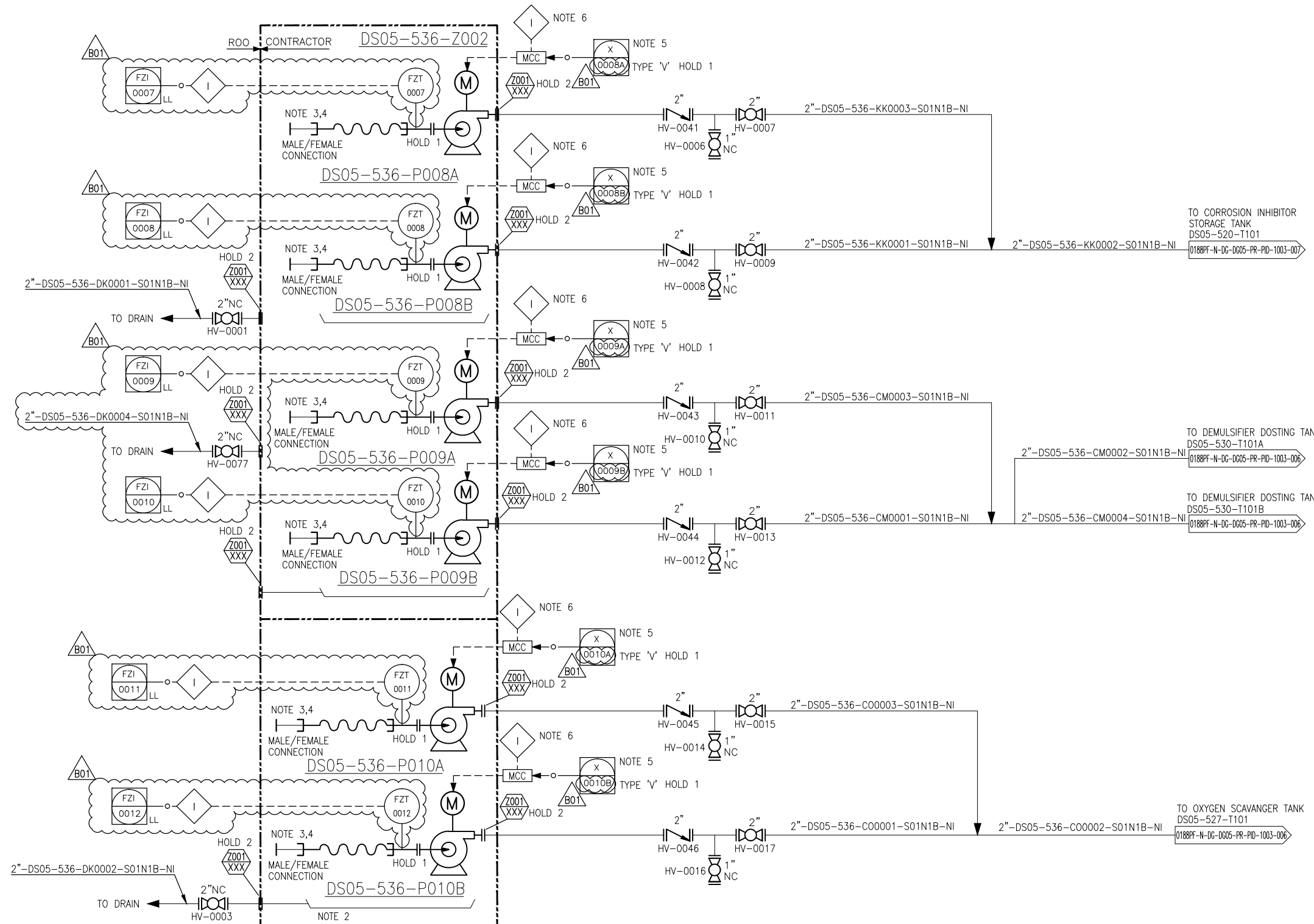
0188PF-N-DG-DG05-PR-PID-1013-001 REV. B01

DS05-536-Z002 (NOTE 1)
CHEMICAL TRANSFER PUMP PACKAGE

DS05-536-P008A/B (HOLD 1)
CORROSION INHIBITOR
TRANSFER PUMPS
PUMP RATED CAPACITY: 3 m³/h
DESIGN PRESS./TEMP.: 3.5barg / 85°C/-2°C
MATERIAL : SS316L

DS05-536-P009A/B (HOLD 1)
DEMULSIFIER TRANSFER PUMPS
PUMP RATED CAPACITY: 3 m³/h
DESIGN PRESS./TEMP.: 3.5barg / 85°C/-2°C
MATERIAL : SS316L

DS05-536-P010A/B (HOLD 1)
OXYGEN SCAVENGER
TRANSFER PUMPS
PUMP RATED CAPACITY: 3 m³/h
DESIGN PRESS./TEMP.: 3.5barg / 85°C/-2°C
MATERIAL : SS316L



- NOTES**
- CHEMICAL TRANSFER PUMP PACKAGE TO INCLUDE CORROSION INHIBITOR TRANSFER PUMPS, DEMULSIFIER TRANSFER PUMPS AND OXYGEN SCAVENGER PUMPS (2x100%) AS PART OF SKID.
 - INDIVIDUAL FIXED DRIP TRAY TO BE PROVIDED FOR THE INDIVIDUAL CHEMICALS.
 - FLEXIBLE HOSE WITH COUPLED CAMLOCK CONNECTION MALE/FEMALE.
 - PUMP / SUCTION PIPING TO BE CLEARLY LABELLED AND HOSE CONNECTIONS TO BE PROVIDED WITH COLOR CODING FOR EACH CHEMICAL TYPE.
 - HIGH HIGH LIQUID LEVEL (H2) IN RELEVANT STORAGE TANKS (CAMERON SUPPLIED) SHALL STOP CHEMICAL TRANSFER PUMPS.
 - PUMP TO TRIP DURING LEVEL-1 SHUTDOWN.

- GENERAL NOTES**
- FOR LEGEND & SYMBOLS REFER DWG NO. 0000RP-C-G0-G000-PR-PID-0001-001 TO 0013.
 - ALL INSTRUMENT AND MANUAL VALVE TAG NOS. PREFIXED WITH DS05-536-.


- HOLDS**
- PUMP VENDOR DETAILS.
 - VENDOR TIE-IN NUMBERS.

REV	DESCRIPTION	ORIG	DRAFT	CHECK	APP'D	DATE
B01	ISSUED FOR HAZOP	AN	AB	AS	KS/MMQ	19.02.20
A01	ISSUED FOR COMPANY REVIEW	AN	AB	AS	KS/MMQ	28.01.20

CLIENT



RUMAILA OPERATING ORGANISATION

	CONTRACT NO. : 101591PF
	PETROFAC JOB NO. : 0188PF
	ORIGINAL DWG SIZE : A1
	SCALE : NTS

DRAWING TITLE :

**DS05 D&D TEST TRAIN PROJECT
DS05 PIPING AND INSTRUMENT DIAGRAM
CHEMICAL TRANSFER PUMP PACKAGE**

CLIENT: RUMAILA OPERATING ORGANISATION (ROO)
0188PF-N-DG-DG05-PR-PID-1013-001 REV.B01
0188PF-N-DG-DG05-PR-PID-1013-001.dwg TOTAL SHEETS. 001