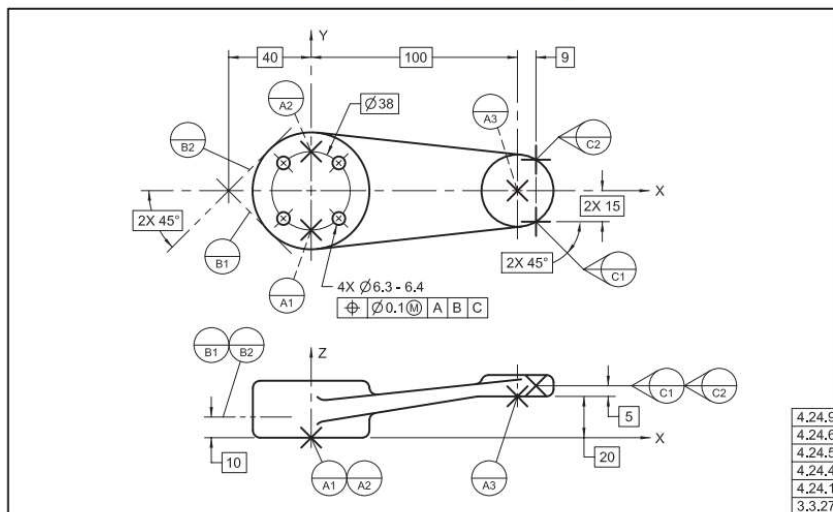
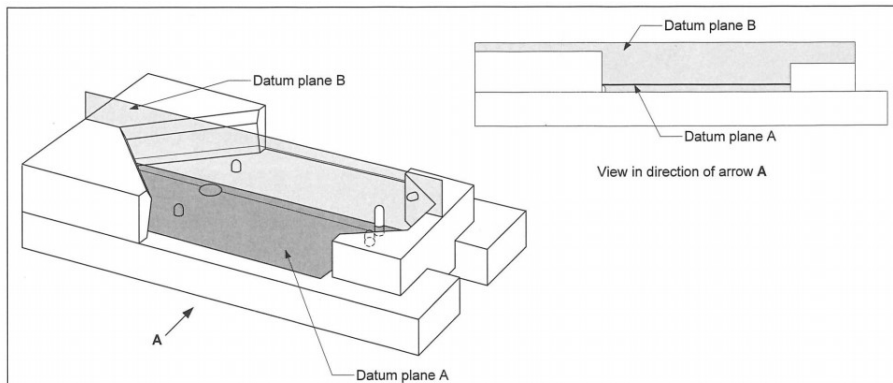


FIG. 4-38 APPLICATIONS OF EQUALIZING DATUMS

Fig. 4-47 Applications of Movable Datums



- 4.24.9
- 4.24.6
- 4.24.5
- 4.24.4
- 4.24.1
- 3.3.27



15-12 Simulated Gage for V-Block & Offset Datum Planes