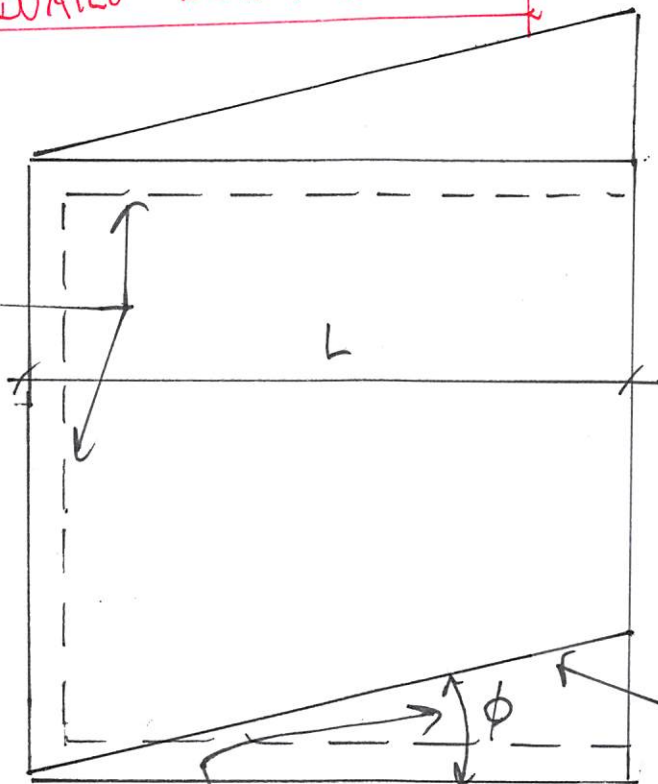


BEHAVIOR OF 3-SIDED, SHEAR DOMINATED DIAPHRAGM

MAKE WALLS AS RIGID AS POSSIBLE TO ZERO OUT TORSION EFFECTS WHICH ONLY OBFSUATE HERE



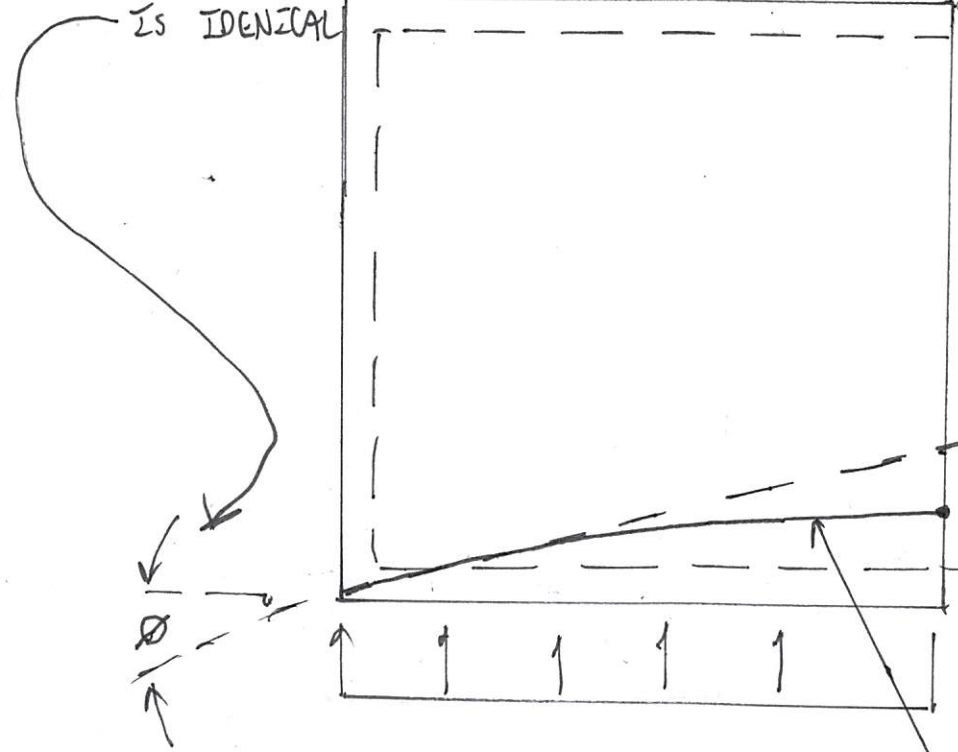
CONCENTRATED DECK LOAD

UNIFORM SLOPE BECAUSE SHEAR IS CONSTANT

SLOPES @ LEFT END ARE IDENTICAL BECAUSE SHEAR THERE

$P = W \cdot L$

IS IDENTICAL



DISTRIBUTED DECK LOAD

SHEAR INDUCED DECK SLOPE IS ϕ @ RIGHT END BECAUSE SHEAR = ϕ

SHALLOW SLOPE BECAUSE SHEAR STARTS SMALL

1944

1945

1946

1947

1948

1949

1950

