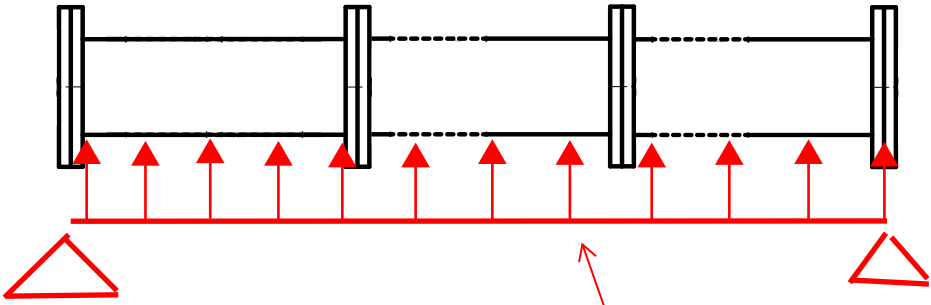


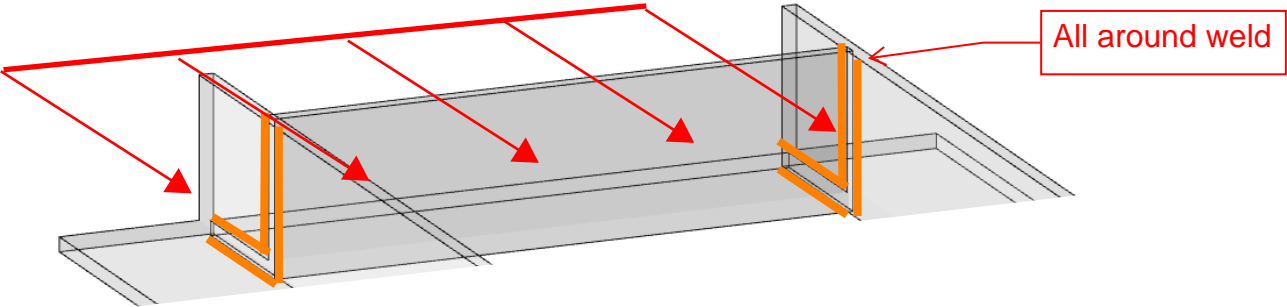
Case 1: Pipe with bolted flange connections



Assume externally pinned at each end

Transverse uniform load

Case 2: Steel Angle (or any shape) welded all around at each end



All around weld