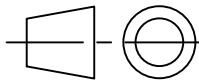


20 HOLES
 ± 0.8 Ø92.1
 -0.4

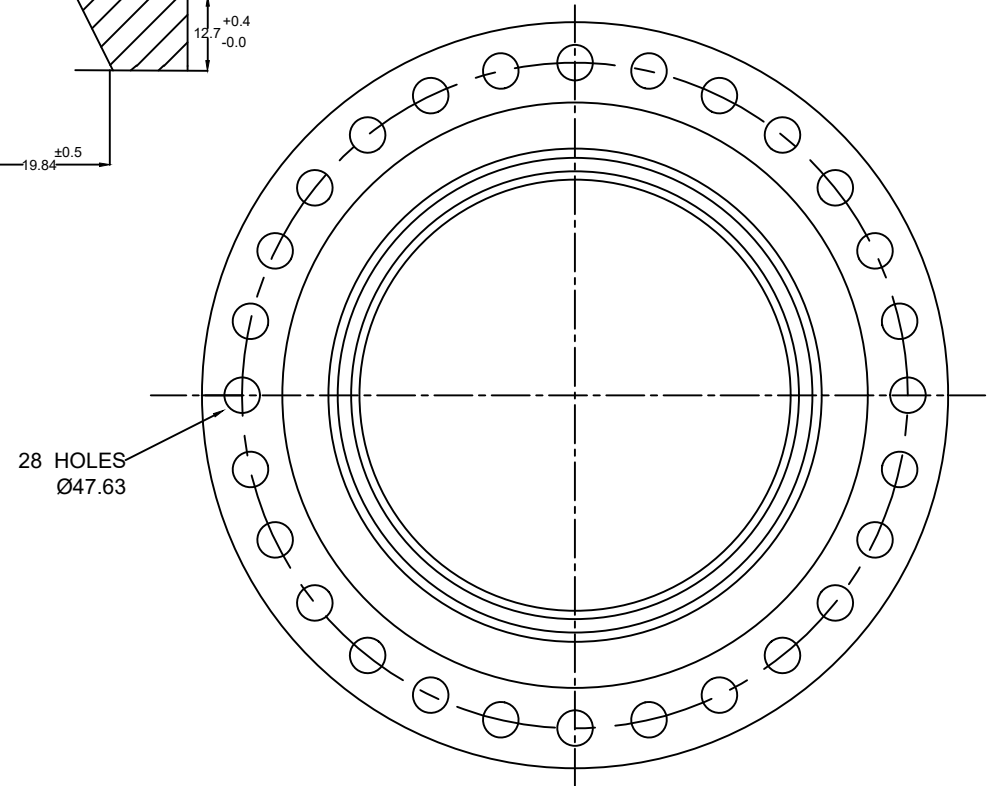
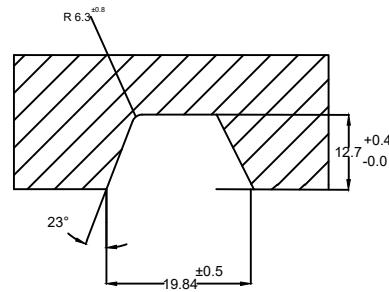
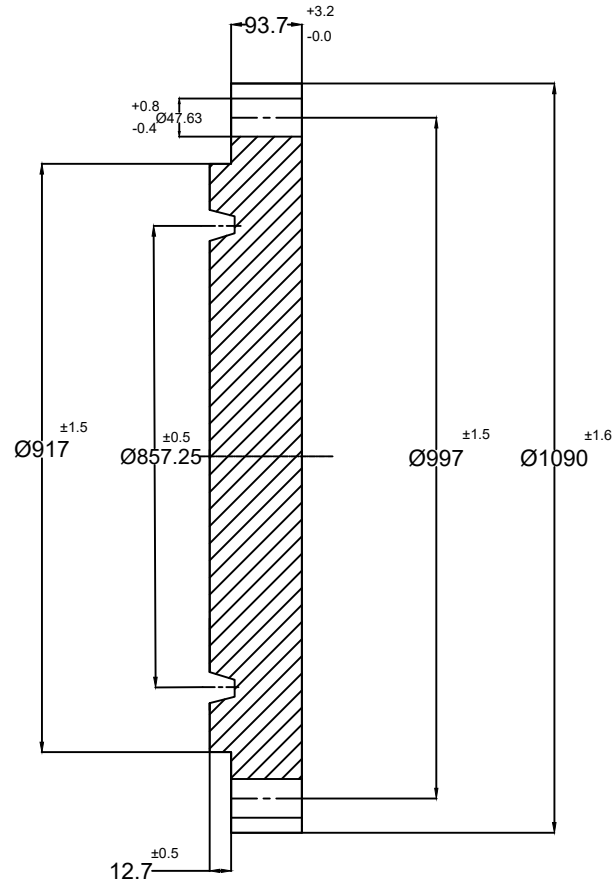
QTY= 13 NOS

NOTE:
 ALL DIMENSIONS ARE IN MM
 DIMENSION STANDARD ASME B16.47
 SERIES A



MATERIAL: ASTM A707 L3 CL3			TITLE: WNRTJ FLANGE	
	NAME	DATE	SIZE:30" X 1500#	DWG.NO. 020802
DRAWN	TRC	02/08/22	 VERITAS STAINLESS CO. PVT. LTD	
CHK'D	PS	02/08/22		
APPV'D	RJP	02/08/22		

DO'NT SCALE THE DRAWING




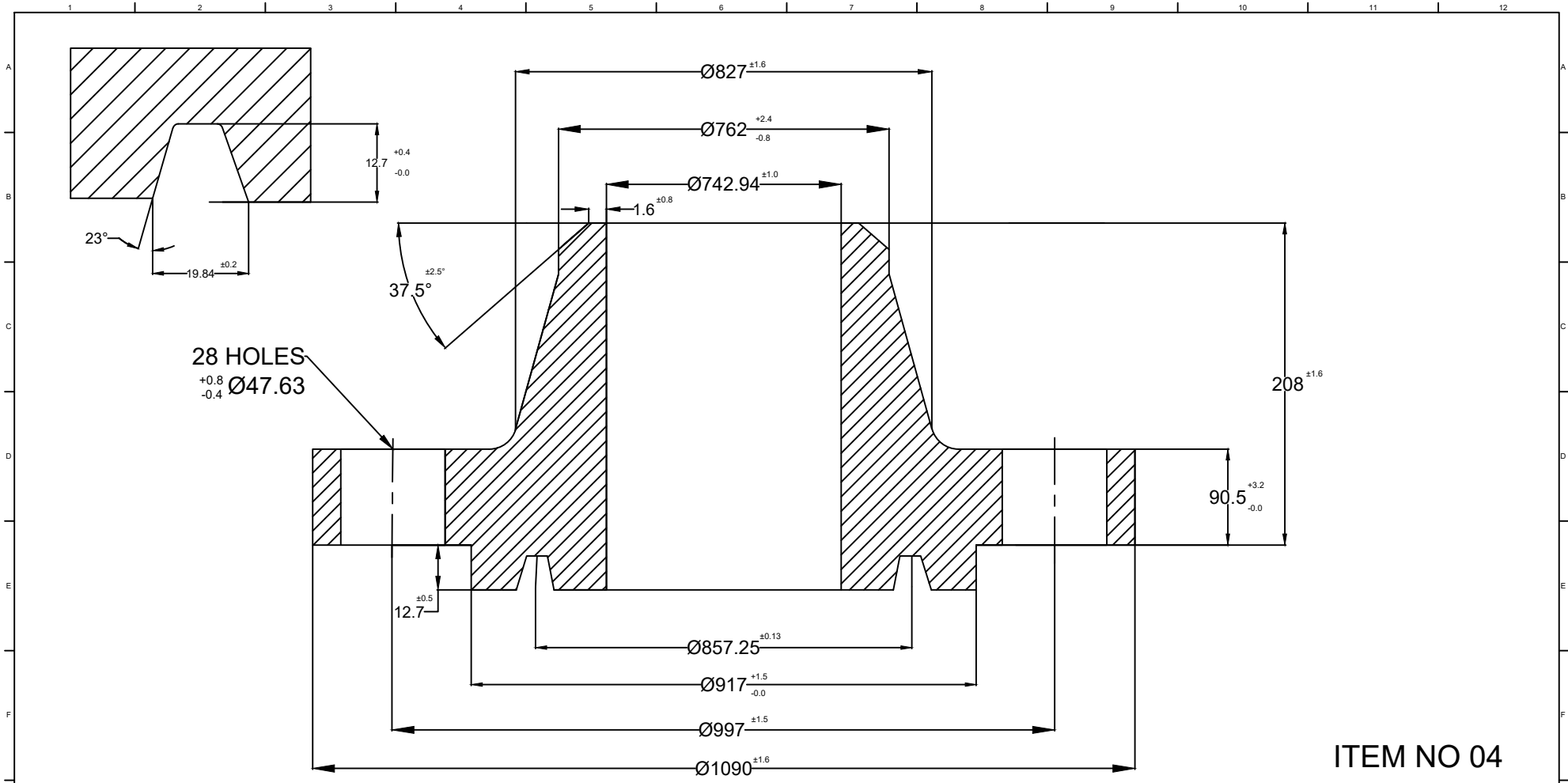
ITEM NO: 03

QUANTITY= 01 NOS

NOTE:

1. ALL DIMENSIONS ARE IN MM
2. DIMENSIONS AS PER ASME B16.47 SERIES -A

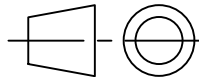
MATERIAL: ASTM A105		TITLE: BLIND FLANGE RTJ	
	NAME	DATE	SIZE: 30" X 300#
			DWG.NO. 130901
DRAWN	TRC	13/09/22	 VERITAS STAINLESS CO. PVT. LTD
CHK'D	PRAMOD	13/09/22	
APPV'D	RRS	13/09/22	




ITEM NO 04

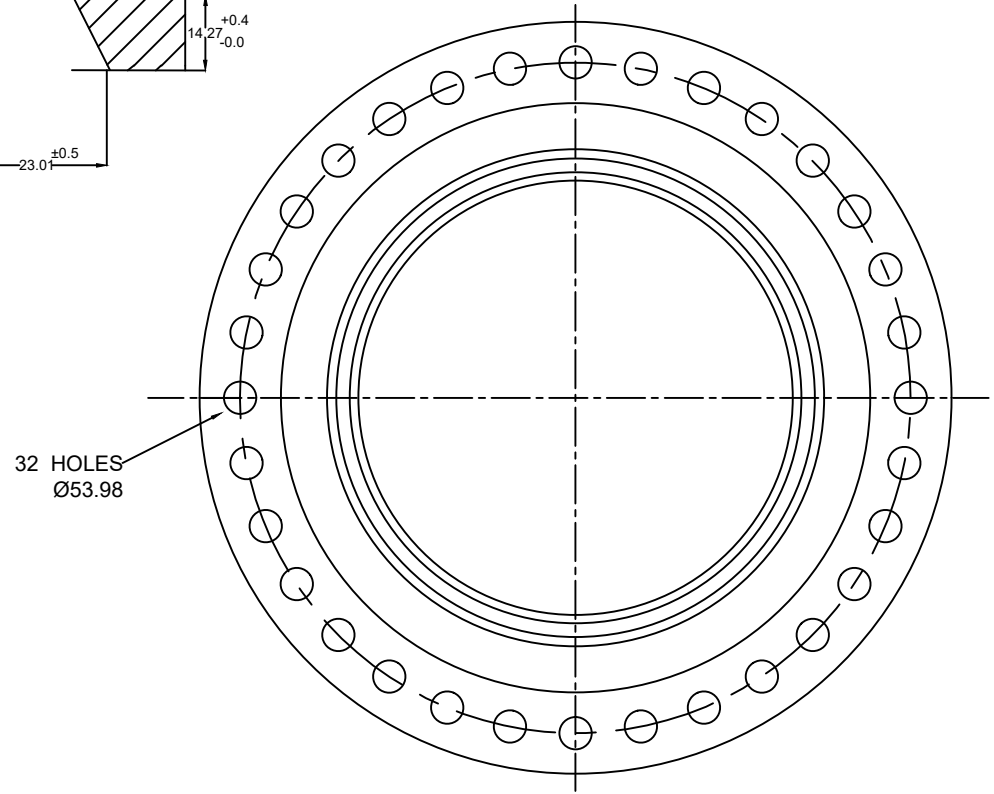
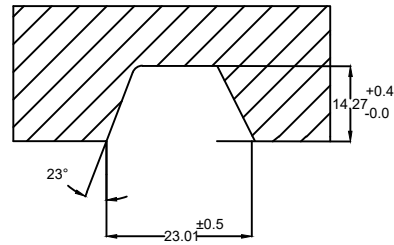
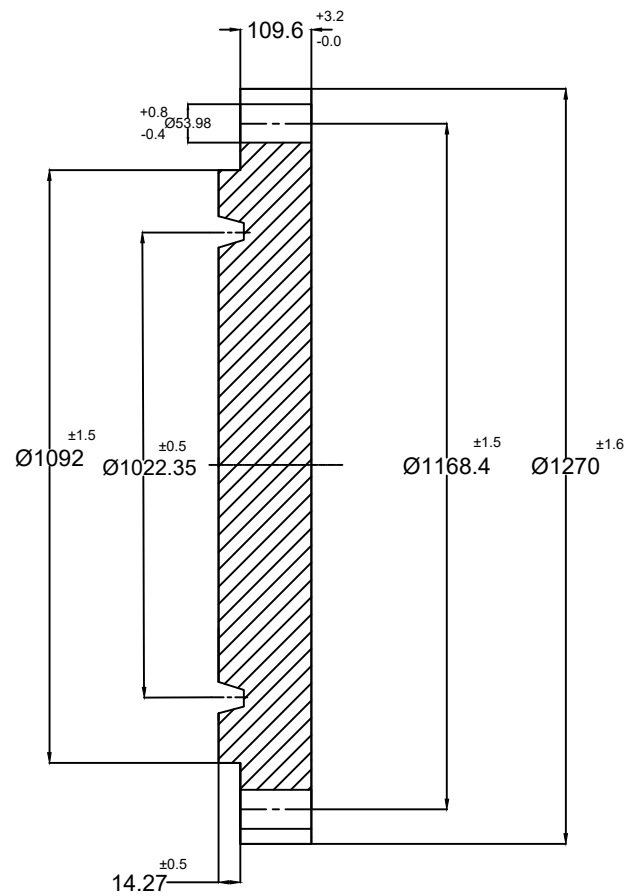
QTY= 01 NOS

NOTE:
ALL DIMENSIONS ARE IN MM
DIMENSION STANDARD ASME B16.47
SERIES A



MATERIAL: ASTM A105			TITLE: WNRTJ FLANGE	
	NAME	DATE	SIZE:30" X 300#	DWG.NO. 120903
DRAWN	TRC	12/09/22	 VERITAS STAINLESS CO. PVT. LTD	
CHK'D	PS	12/09/22		
APPV'D	RNS	12/09/22		

DO'NT SCALE THE DRAWING




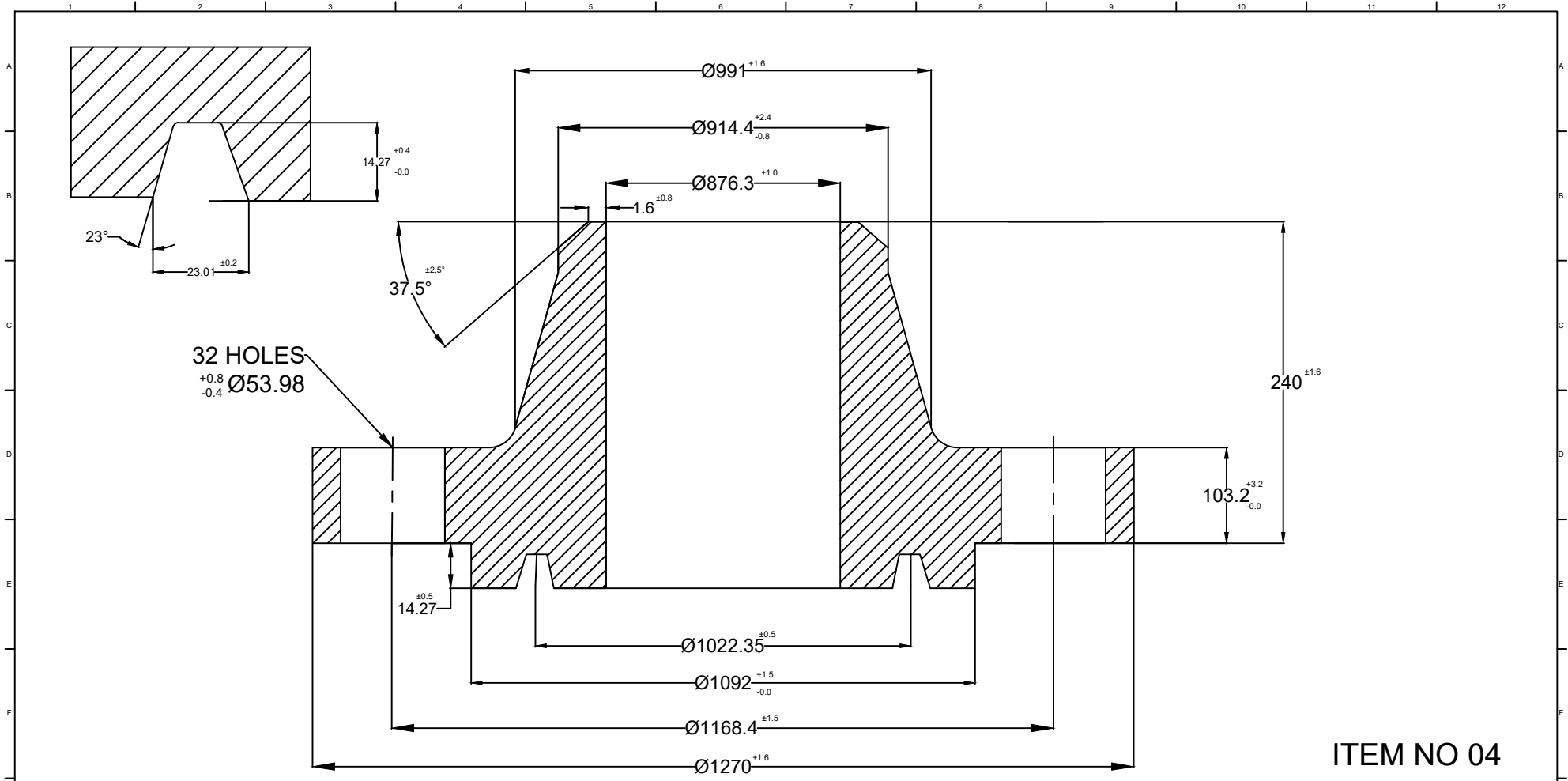
ITEM NO: 05

QUANTITY= 04 NOS

NOTE:

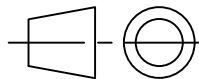
1. ALL DIMENSIONS ARE IN MM
2. DIMENSIONS AS PER ASME B16.47 SERIES -A


MATERIAL: ASTM A105			TITLE: BLIND FLANGE RTJ	
	NAME	DATE	SIZE: 36" X 300#	DWG.NO. 130902
DRAWN	TRC	13/09/22	 VERITAS STAINLESS CO. PVT. LTD	
CHK'D	PRAMOD	13/09/22		
APPV'D	RRS	13/09/22		



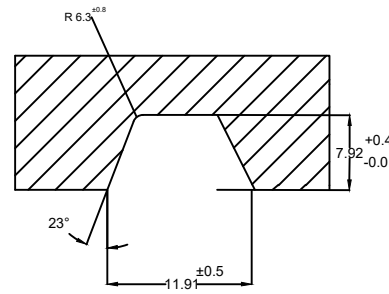
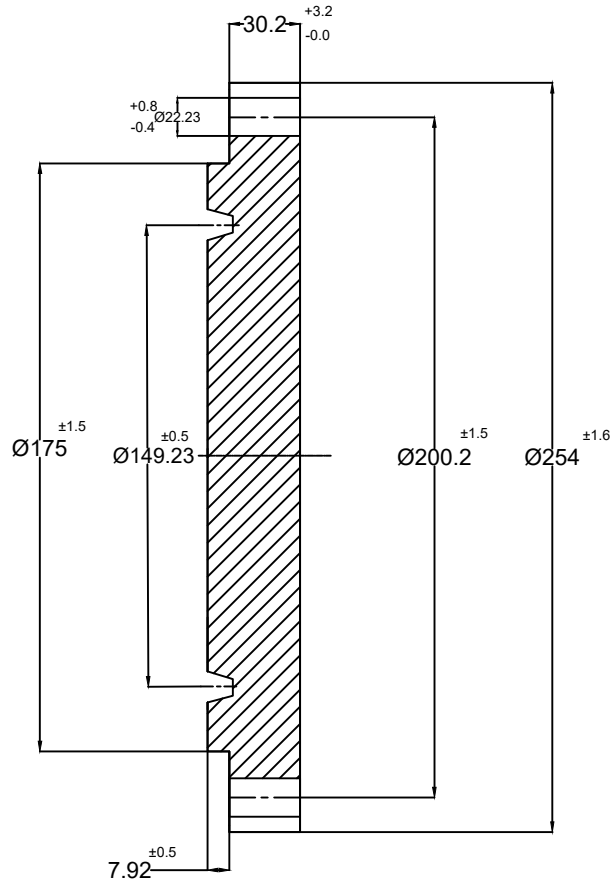
QTY= 04 NOS

NOTE:
ALL DIMENSIONS ARE IN MM
DIMENSION STANDARD ASME B16.47
SERIES A

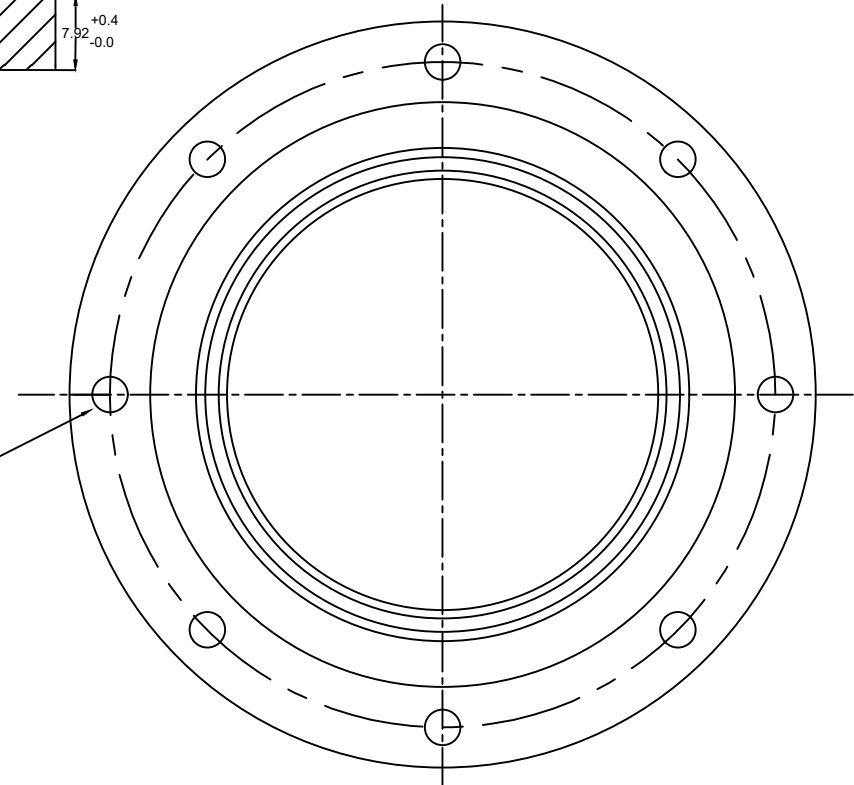


MATERIAL: ASTM A105			TITLE: WNRTJ FLANGE	
	NAME	DATE	SIZE:36" X 300#	DWG.NO. 120904
DRAWN	TRC	12/09/22	 VERITAS STAINLESS CO. PVT. LTD	
CHK'D	PS	12/09/22		
APPV'D	RNS	12/09/22		

DO'NT SCALE THE DRAWING



8 HOLES
Ø22.23




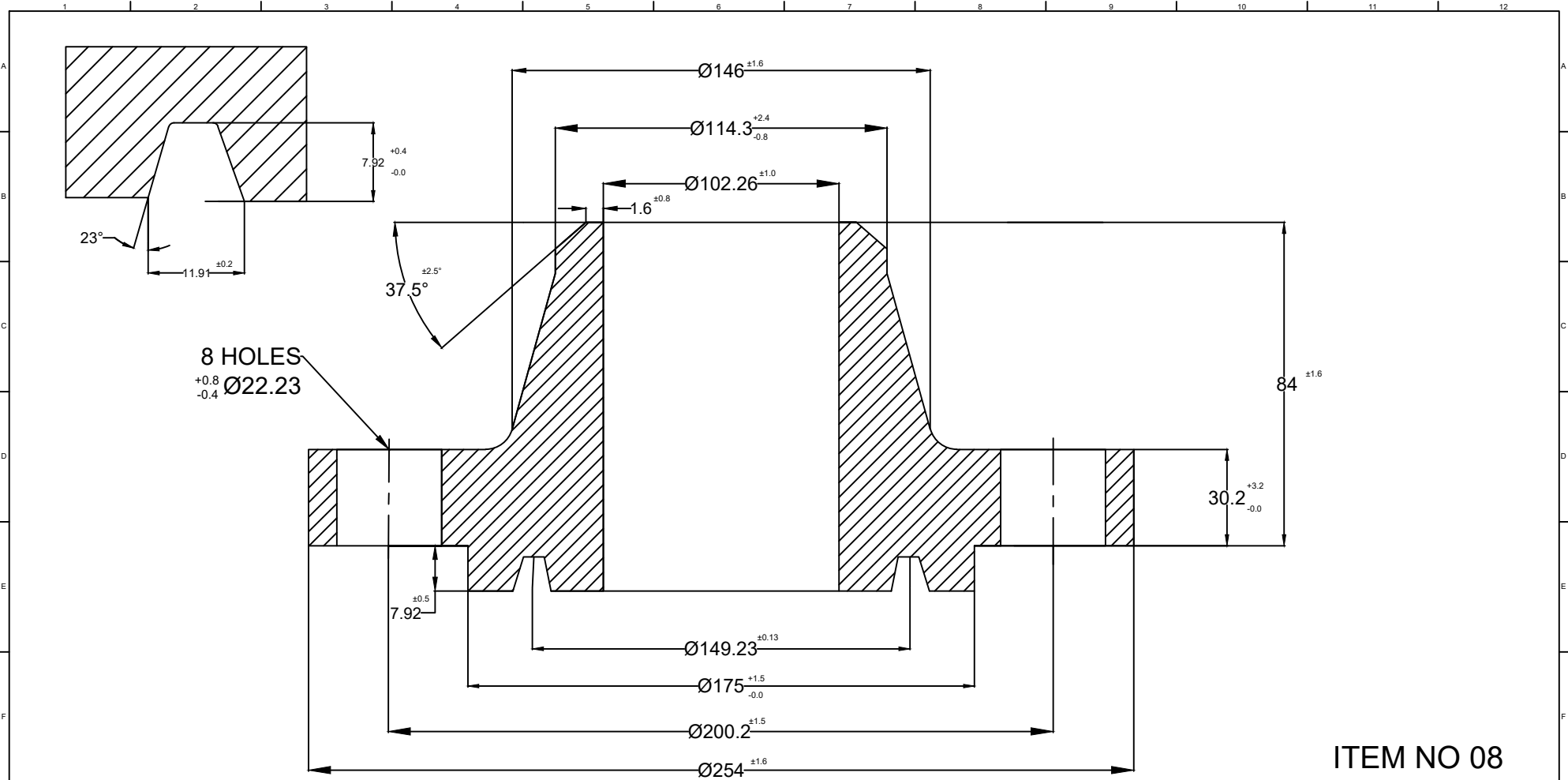
ITEM NO: 07

QUANTITY= 07 NOS

NOTE:

1. ALL DIMENSIONS ARE IN MM
2. DIMENSIONS AS PER ASME B16.5-ED 2020

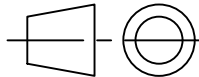
MATERIAL: ASTM A105			TITLE: BLIND FLANGE RTJ	
	NAME	DATE	SIZE: 4" X 300#	DWG.NO. 061007
DRAWN	TRC	06/10/22	 VERITAS STAINLESS CO. PVT. LTD	
CHK'D	PRAMOD	06/10/22		
APPV'D	RRS	06/10/22		




ITEM NO 08

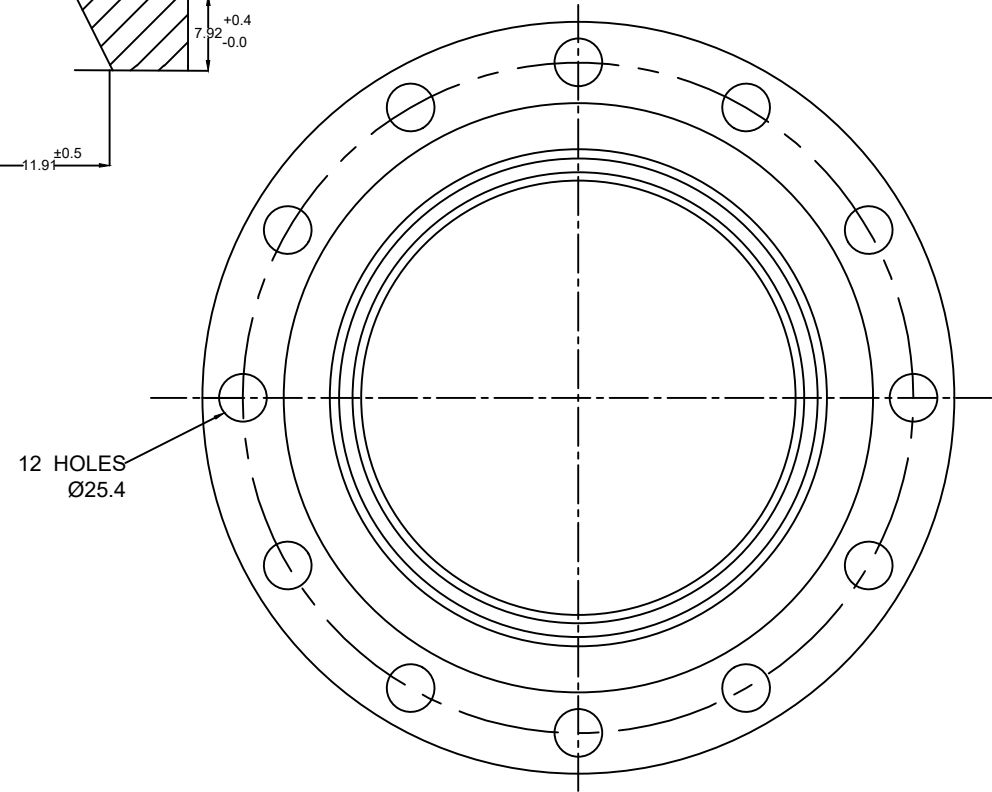
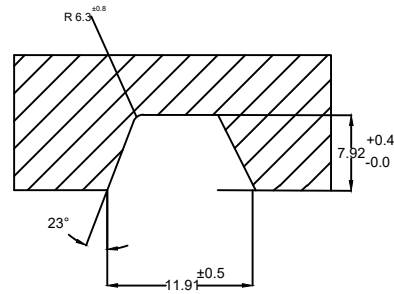
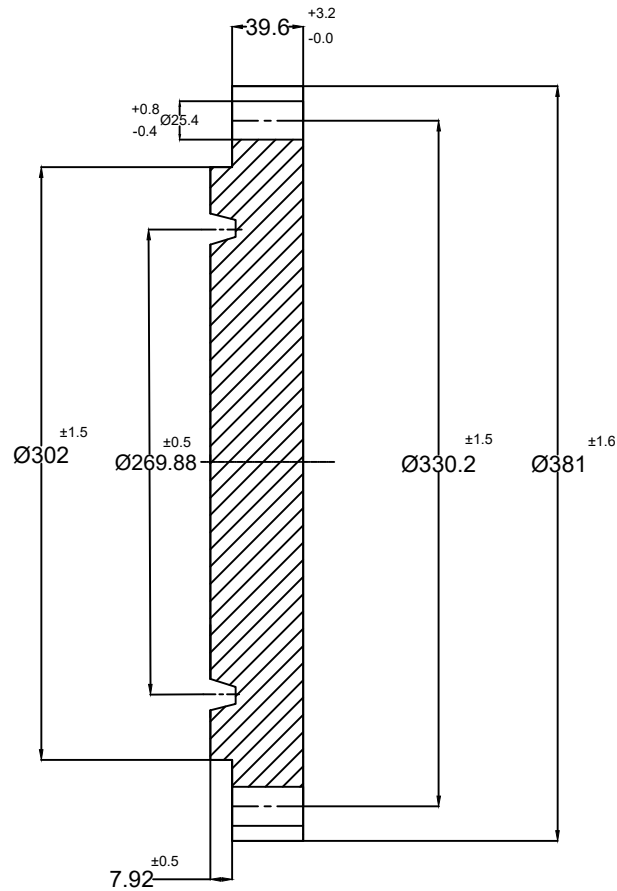
QTY= 07 NOS

NOTE:
ALL DIMENSIONS ARE IN MM
DIMENSION STANDARD ASME B16.5
ED.2020



MATERIAL: ASTM A105			TITLE: WNRTJ FLANGE	
	NAME	DATE	SIZE: 4" X 300# SCH STD	DWG.NO. 061008
DRAWN	TRC	06/10/22	 VERITAS STAINLESS CO. PVT. LTD	
CHK'D	PS	06/10/22		
APPV'D	RNS	06/10/22		

DO'NT SCALE THE DRAWING




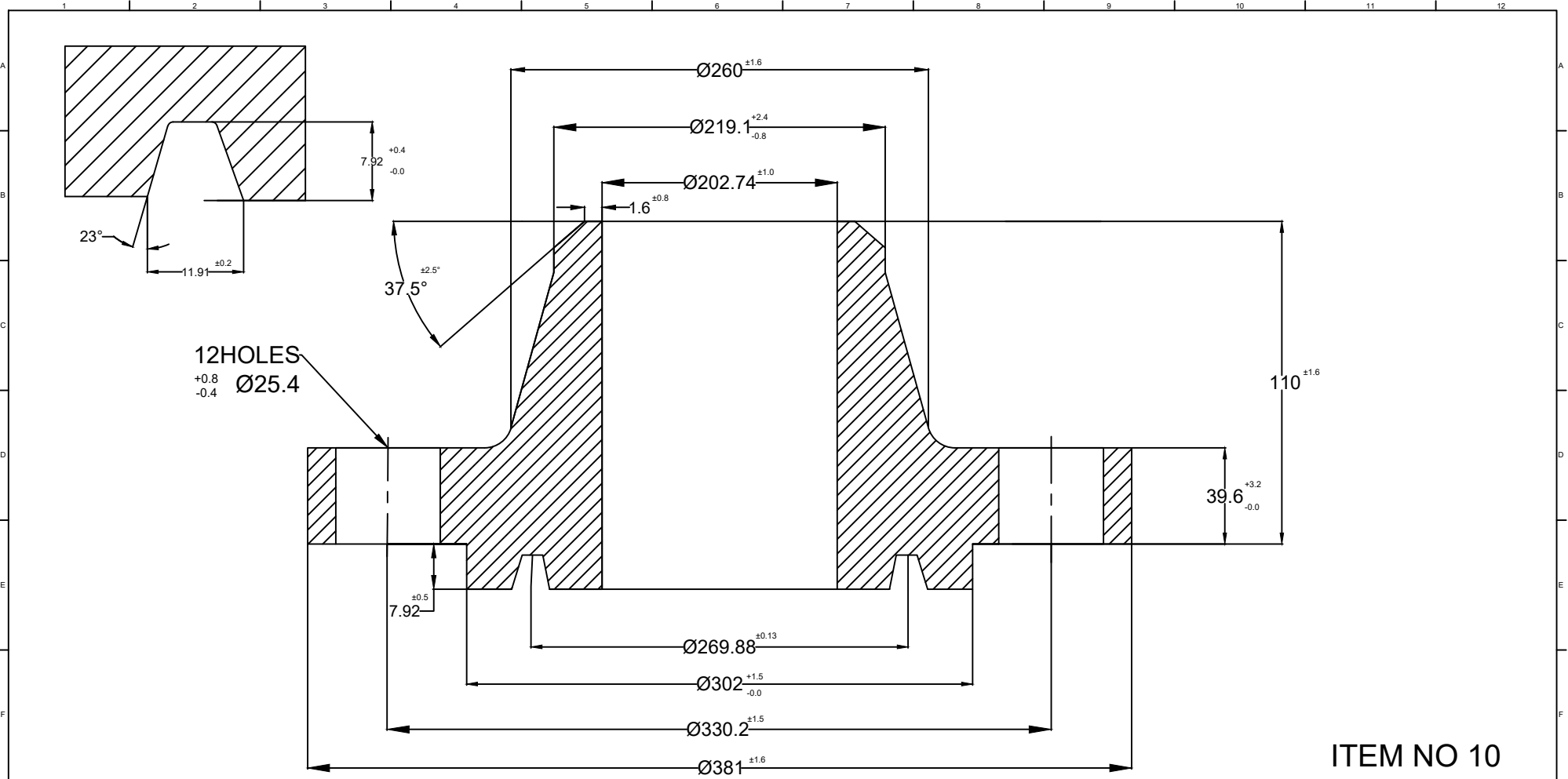
ITEM NO: 09

QUANTITY= 04 NOS

NOTE:

1. ALL DIMENSIONS ARE IN MM
2. DIMENSIONS AS PER ASME B16.5-ED 2020

MATERIAL: ASTM A105			TITLE: BLIND FLANGE RTJ	
	NAME	DATE	SIZE: 8" X 300#	DWG.NO. 061009
DRAWN	TRC	06/10/22	 VERITAS STAINLESS CO. PVT. LTD	
CHK'D	PRAMOD	06/10/22		
APPV'D	RRS	06/10/22		

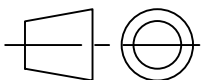



12HOLES
 $+0.8$
 -0.4 Ø25.4

ITEM NO 10

QTY= 04 NOS

NOTE:
 ALL DIMENSIONS ARE IN MM
 DIMENSION STANDARD ASME B16.5
 ED.2020



MATERIAL: ASTM A105			TITLE: WNRTJ FLANGE	
	NAME	DATE	SIZE:8" X 300# SCH STD	DWG.NO. 061010
DRAWN	TRC	06/10/22	 VERITAS STAINLESS CO. PVT. LTD	
CHK'D	PS	06/10/22		
APPV'D	RNS	06/10/22		