

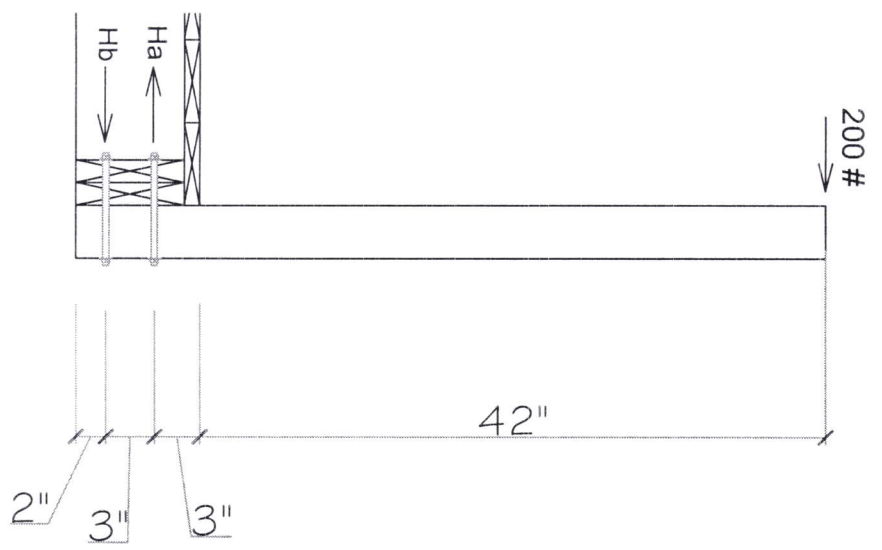
A

$$\sum H_A = 0 \rightarrow 200 \# \times (42 + 3") - 3 \times H_b = 0$$

$$\rightarrow H_b = \frac{200 \times 45}{3} = 3000 \#$$

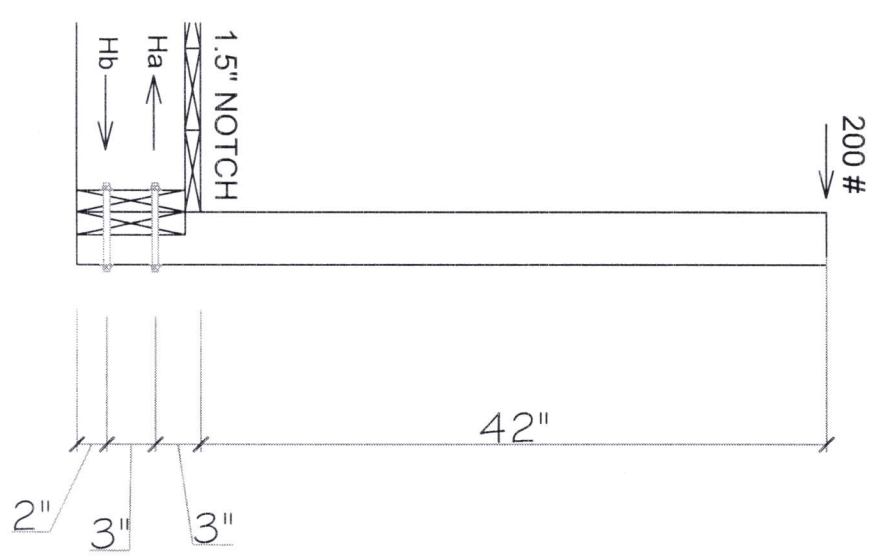
$$\sum X = 0 \rightarrow 200 + H_a - H_b = 0$$

$$H_a = 200 + 3000 = 3200 \#$$



OPTION A

VS.



OPTION B

- 4x4 POST
- (2) 2x8 BEAM
- 2x8 JOIST
- 1x6 DECKING