

# TYPICAL DETAILS



Superior Concrete, LLC

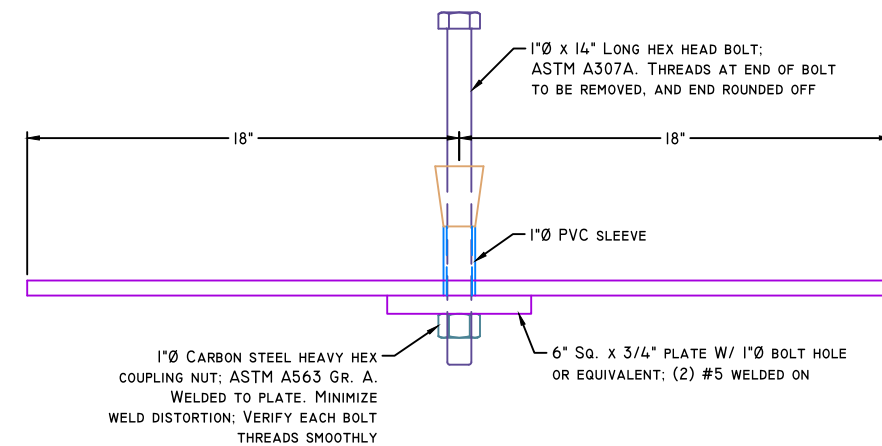
982 Minot Ave. Auburn, ME

Tel: 207-784-1388

Fax: 207-783-4039

www.superiorconcrete.com

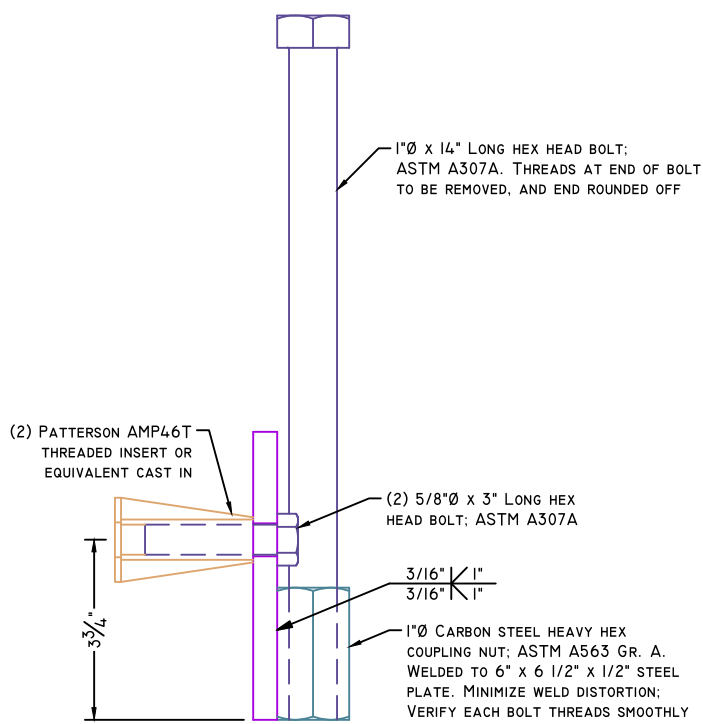
QTY	BILL OF MATERIALS



**INTERIOR LEVELING DEVICE**

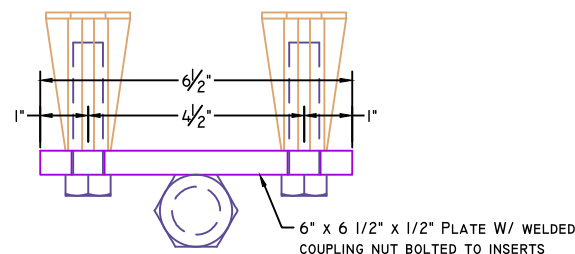
ELEVATION VIEW

SCALE: 1 1/2" = 1'-0"



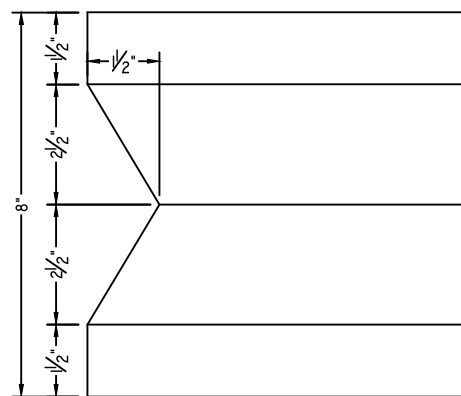
**EXTERIOR LEVELING DEVICE**

ELEVATION VIEW

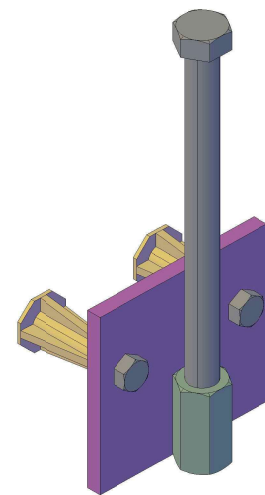


**EXTERIOR LEVELING DEVICE**

PLAN VIEW

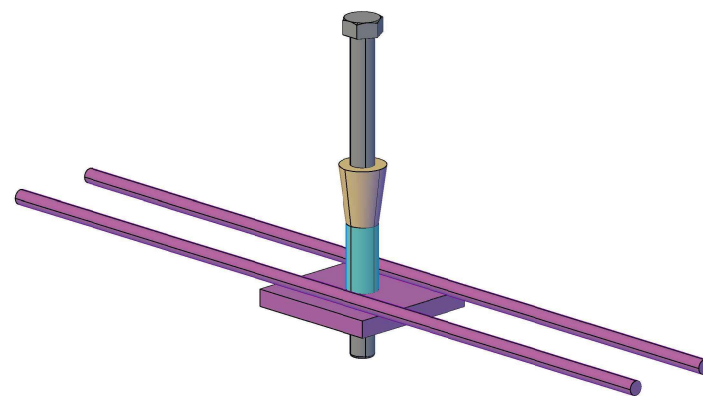


**TYPICAL SHEAR KEY**



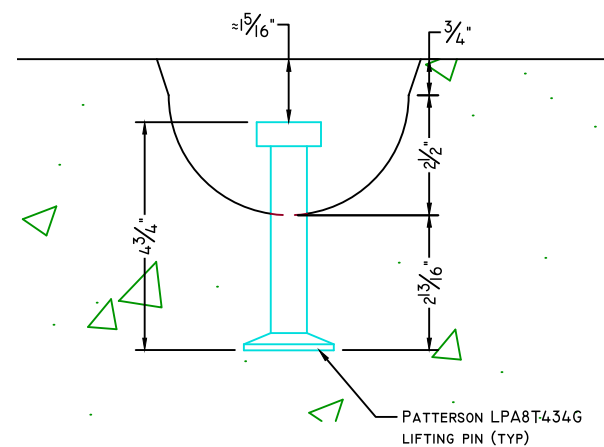
**EXTERIOR LEVELING DEVICE**

CONCEPTUAL VIEW (NTS)

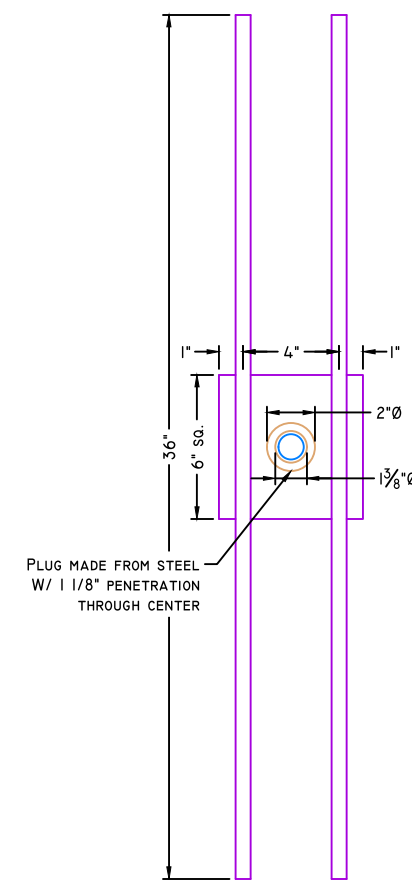


**INTERIOR LEVELING DEVICE**

CONCEPTUAL VIEW (NTS)



**TYPICAL LIFTING PIN DETAIL**



**INTERIOR LEVELING DEVICE**

PLAN VIEW

SCALE: 1 1/2" = 1'-0"

**DESIGN NOTES:**

1. Concrete:
  - 1.1. COMP. STRENGTH MIN. 6,000PSI @ 28 DAYS
  - 1.2. AIR-ENTRAINMENT: MIN. 5.5% / MAX 7.5%
2. Structural Reinforcement:
  - 2.1. DESIGN LOAD: AASHTO HL-93
  - 2.2. BAR PER ASTM A615, GRADE 60 UNLESS OTHERWISE NOTED
  - 2.3. INTEGRATE REBAR WITH LIFTING INSERT(S)
  - 2.4. INTERRUPTED BAR AREAS NOT SHOWN ON FABRICATION DRAWINGS SHALL BE AVOIDED
3. Bar Clearance / Protection:
  - 3.1. 2" CLR TOP, 1 1/2" CLR BOTTOM UNLESS OTHERWISE NOTED
4. Manufacturing & Materials:
  - 4.1. CONFORM STRICTLY TO MAINEDOT REQUIREMENTS
  - 4.2. PANEL SURFACE SHALL BE GIVEN SMOOTH BULL FLOAT OR WOOD FLOAT FINISH UNLESS OTHERWISE NOTED
  - 4.3. CURB SURFACE (INCLUDING OUTSIDE FACE) SHALL BE GIVEN A RUBBED FINISH
  - 4.4. PRECAST PANEL MANUFACTURING TOLERANCES:
    - 4.4.1. DEPTH OF SLAB: ±1/8"
    - 4.4.2. PLAN DIMENSION: ±1/4"
    - 4.4.3. LOCAL SMOOTHNESS: ±1/4" OVER 10'
    - 4.4.4. SQUARENESS: ±1/2" MAX. DIFFERENCE IN DIAGONAL MEASURE
    - 4.4.5. LOCATION OF HAUNCH BONDOUTS: ±1/2" HORIZONTALLY & TRANSVERSELY
    - 4.4.6. LOCATION OF LEVELING BOLTS: ±1" HORIZONTALLY & TRANSVERSELY
5. LIFTING & HANDLING:
  - 5.1. ALL RIGGING HARDWARE MUST BE SUCH THAT EACH LIFTING POINT IS LOADED. ANY "LOOSE" LIFTING CHAIN(S), STRAP(S), OR CABLE(S) SHALL HAVE ADJUSTMENT DEVICES TO REMOVE SLACK
  - 5.2. SHIP OR STORE PANELS STACKED 3 HIGH (MAX.) WITH A MINIMUM OF 4x4 BLOCKING UNDER THE LIFTING POINTS & ENDS

Note: Some details not shown for clarity  
SCALE: 1" = 1'-0" Unless otherwise noted

DI.0

STRUCTURE NAME:

BRIDGE DECK SLABS

JOB NAME:

CENTRE ST. CONNECTION; WIN 18725.00

LOCATION:

BATH, ME.

CONTRACTOR:

T-BUCK

DRAWN BY:

SSM

DATE:

02/22/2018

REV.#:

AB

DATE:

03/09/2018